

I N F O R M A C I J A

o potpisivanju Implementacionog aranžmana između Ministarstva odbrane Crne Gore i Ministarstva odbrane Republike Italije u vezi saradnje u oblasti vojne opreme u cilju nabavke vojnih logističkih vozila i povezane logističke podrške, održavanja i obuke

U skladu sa Budžetom za 2024. godinu Vojska Crne Gore je planirala nabavku vojnih logističkih vozila, imajući u vidu da su vozila koja se trenutno nalaze na upotrebi u Vojsci stara i preko 30 godina, a zbog stalnih kvarova i nedostatka rezervnih djelova njihovo održavanje je nerentabilno.

U cilju iznalaženja kvalitativno boljih rješenja pristupilo se razmatranju mogućnosti za nabavku ovih vozila u zemljama članicama EU, a u cilju obezbjeđivanja blagovremene i kvalitetne nabavke vojnih logističkih vozila.

U skladu sa tim, u Ministarstvu odbrane formirana je Radna grupa za sprovođenje nabavke logističkih vozila za potrebe Ministarstva odbrane i Vojske Crne Gore, koja je izvršila dopunsku analizu potreba Vojske Crne Gore za nabavku vojnih logističkih vozila po tipovima, vrstama i količinama, kako bi se ista realizovala u okvirima planiranih kreditnih sredstava, a uzimajući u obzir prethodne podatke i izvještaje o stanju i popunjenosti Vojske Crne Gore logističkim vozilima. Kako su identifikovane konkretne potrebe za transportnim vozilima različitih tipova, uključujući vozila za podršku deklarisanim jedinicama, ostvareni su kontakti sa nekoliko kompanija od kojih su dobijene finansijske ponude i specifikacije vozila, gdje se kao najpovoljnija izdvojila kompanija „Iveco“ iz Republike Italije, koja je dostavila ponudu za vojna logistička vozila 4x4 i 6x6 za prevoz ljudstva i opreme. U ovu ponudu su uključene i cisterne za vodu, cisterne za gorivo i cisterne za avio gorivo.

S obzirom da je Memorandum o razumijevanju između Ministarstva odbrane Republike Italije i Ministarstva odbrane Crne Gore u vezi sa saradnjom u oblasti nabavke u oblasti odbrane potpisan decembra 2022. godine radi promovisanja saradnje vlada-vladi u oblasti odbrambenih nabavki, pristupilo se usaglašavanju teksta Implementacionog aranžmana sa Ministarstvom odbrane Republike Italije u cilju nabavke vojnih logističkih vozila u vrijednosti od 20 miliona eura.

Ova sredstva su planirana Budžetom za 2024. godinu, a obezbijedila bi se iz kreditnog aranžmana od strane Ministarstva finansija sa nekom od finansijskih institucija u zemlji ili inostranstvu.

Imajući u vidu navedeno, predlažemo da se razmotri mogućnost nabavke vojnih logističkih vozila zaključivanjem Implementacionog aranžmana između Ministarstva odbrane Crne Gore i Ministarstva odbrane Republike Italije. Predlažemo da se prihvate standardi kvaliteta i tehnička specifikacija vojnih logističkih vozila koja su opitovana i usvojena za potrebe Oružanih snaga Republike Italije. Pored toga, u predlogu Implementacionog aranžmana između Ministarstva odbrane Republike Italije i Ministarstva odbrane Crne Gore planirana je obuka ljudstva, isporuka osnovnog paketa rezervnih djelova, uređaja za dijagnostiku i garancija u trajanju od 2 godine.

Nabavkom vojnih logističkih vozila ovim putem zanovio bi se kompletan vozni park logističkih vozila u Vojsci Crne Gore, čime bi se povećala sigurnost i bezbjednost ljudstva i opreme, jer su u pitanju vozila koja posjeduju nove bezbjednosne sisteme.

Na predmetnu informaciju pozitivno mišljenje su dali Ministarstvo finansija (dopisom broj 01-02-430/24-7659/2 od 27.11.2024. godine) i Ministarstvo vanjskih poslova (dopisom broj 13/2-053/24-965-2 od 03.12.2024. godine).

DRAFT

**IMPLEMENTING
ARRANGEMENT**

between

**THE MINISTRY OF DEFENCE OF
MONTENEGRO**

and

**THE MINISTRY OF DEFENCE OF
THE ITALIAN REPUBLIC**

on

**COOPERATION IN THE FIELD OF
MILITARY EQUIPMENT**

aiming at

**the acquisition of Military Logistic Vehicles and the Associated
Logistic, Maintenance and Training Support and Services**

INTRODUCTION

The Ministry of Defence of Montenegro (“MNE-MoD”) and the Ministry of Defence of the Italian Republic (“ITA-MoD”), thereafter referred to, individually as "Participant" or collectively as “Participants”,

- Considering the Agreement between the Government of Montenegro and the Government of the Italian Republic on Defence cooperation, signed in Rome on 14 December 2011 and entered into force on 05 February 2016.
- Considering the Agreement between the Government of Montenegro and the Government of the Italian Republic on the exchange and mutual protection on classified information, signed in Podgorica on 13 October 2015.
- Considering the Memorandum of Understanding (MoU) between the Ministry of Defence of Montenegro and the Ministry of Defence of the Italian Republic concerning Defence Procurement Cooperation signed in Rome and Podgorica on December 2022 to promote Government-to-Government (G2G) defence procurement cooperation.
- Noting the obligations the Italian Government is subject to, due to its membership to the European Union.
- Noting the obligations both the Participants are subject to, due to their membership to the North Atlantic Treaty Organization.
- Noting the Agreement between the Parties to the North Atlantic Treaty regarding the Status of their Forces (hereinafter referred to as “NATO SOFA”), signed in London on 19 June 1951.
- Considering their close and long-term operational cooperation activities, aimed at promoting combined participation to international operations through increased interoperability and common training and exercise programmes, including the activities under the Italian Framework Nations Concept (ITA-FNC) initiative.
- Considering the willingness to continue a long term bilateral strategic collaboration aimed at improving their mutual interoperability and increasing their joint operational capabilities and activities in the military field.
- Taking into consideration the common desire to extend their bilateral military cooperation, which already includes activities linked to the procurement of Combat Clothing for members of Montenegro Armed Forces based on the Italian Dismounted Soldier System, to the field of military logistic vehicles.
- Considering that MNE-MoD has already fulfilled a preliminary market survey aiming at the selection of the military logistic vehicles capable to better meet the Montenegrin Technical and operational requirements for the Cargo / troop transportation.
- Considering that only the ITA-MoD resulted to be able to offer a comprehensive cooperation programme in the domain of military logistic vehicles, in line with the requirements of the MNE-MoD.

- Noting that for the purpose of this Implementing Arrangement (hereinafter referred to as “IA”), the following terms and definitions applies:

ACRONYM/NAME	DEFINITION
MoD	Ministry of Defence
Requesting MoD	The Ministry of Defence of the Country requesting to initiate a G2G cooperation programme
Requested MoD	The Ministry of Defence of the Country requested to initiate a G2G cooperation programme
Participant	MNE-MoD or ITA-MoD
Participants	Ministries of Defence (collectively MNE and ITA)
ITA NAD	National Armaments Director
MNE NAD	Director General for Logistics in MNE MoD
Industrial Supplier	IVECO Defence Vehicles S.p.A.
Agreement	Act between two States, approved by the respective Governments or binding act in general
Arrangement	Act between two States, approved by Government for Montenegro and Minister in Italy, based on a higher Agreement
G2G	Government to Government Bilateral Cooperation Initiative
MoU	Memorandum of Understanding
G2G Agreement	Agreement between the Government of Montenegro and the Government of the Italian Republic in the Defence Sector, signed on 14 December 2011
IA	Implementing Arrangement: specific Implementing Arrangement descending from the G2G Agreement, aiming the development of a specific programme or the acquisition of a specific platform/service
SC	Steering Committee: governance body for G2G cooperation
CT	Coordination Team: Management body for each IA negotiation
TP	Technical Panel: Executive body for each technical aspect of IA negotiation
PM	Project Manager(s)
DAT	Italian Directorate for Land Armaments
RFQ	Request for Quotation
IPR	Intellectual Property Rights
EU	European Union
NATO	North Atlantic Treaty Organization
Call for funds	ITA-MoD funding request for contract costs and programme contracting activities
Commercial Contract	Italian Contract stipulated between ITA-MoD (DAT) and Industrial Supplier

Have entered into the following Implementing Arrangement in the field of Military Logistic Vehicles (hereinafter referred to as “IA”).

SECTION 1. PURPOSE AND SCOPE

- 1.1 The purpose of this IA is to set up the provisions to define and implement the Cooperation in the field of Military Equipment between the Participants and to establish common contractual procedures, for the acquisition of military logistic vehicles and the associated logistic, transportation, maintenance and training support and services.
- 1.2 This IA includes the acquisition by ITA-MoD for MNE-MoD of:
 - Military Logistic Vehicles for Montenegro Armed Forces, according to the technical specifications in Annex 1;
 - logistic support, transportation, delivery and maintenance services, as specified in Annex 1 – Appendix 1;
 - training services, according to Annex 1 – Appendix 2.
- 1.3 The implementation of this IA will be carried out in accordance with the respective national legislations and international legal obligations of the Participants, including those arising from the Italian membership in the European Union and the Participants membership in the NATO Alliance.
- 1.4 In case of any conflict between the provisions of this IA, the Participants' national Laws and international obligations, these latter will prevail; the Participants will promptly notify each other such an occurrence.
- 1.5 This IA is not intended to create any rights or obligations, neither pre-contractual nor contractual that are legally binding on the Participants.
- 1.6 The Annexes and pertinent Appendixes to the present document form an integral part of this IA.

SECTION 2. PROGRAMME CONTRACTING ACTIVITIES

- 2.1 The programme contracting activities shall encompass all actions related to the precise specification, negotiation, signing, execution, and final review of the Implementation Agreement and the subsequent contract for the acquisition of vehicles and services as described in Section 1.
- 2.2 ITA-MoD will perform the programme activities according to the terms and conditions of this IA.
- 2.3 MNE-MoD accepts ITA-MoD designation of “Direzione degli Armamenti Terrestri” (DAT) as the contracting agency, for the acquisition of the requested military logistic vehicles and the related logistic and training services, acting on behalf of MNE-MoD and in accordance with Italian national laws and international obligations.
- 2.4 ITA-MoD's authority to act on behalf of MNE-MoD will be limited to the boundaries established in this IA and in the stemming acquisition contract.

- 2.5 ITA-MoD will be responsible for:
- guaranteeing that the vehicles and the relevant logistic and training services will be procured from the Industrial Supplier for the MNE-MoD, according to the administrative and technical terms agreed in this IA;
 - preparing all the technical and administrative documentation related to the procurement procedure, and negotiating the terms and condition of contract with the industrial supplier, in order to fulfil the requirements agreed in this IA;
 - engaging with the Industrial Supplier in order to initiate the contract negotiation phase by issuing a Request for Quotation (hereinafter referred to as “RFQ”) to the industrial supplier based on the Montenegro requirements included in this IA in order to define the draft of the acquisition contract for the final approval by the MNE-MoD;
 - the contract signature and its execution. The contract will contain all relevant provisions covered by this IA for the proper execution of the acquisition;
 - performing final quality control and acceptance of the vehicles and all deliverables, which will be performed by ITA-MoD in accordance with NATO STANAG 4107 “Mutual Acceptance of Government Quality Assurance and Usage of the Allied Quality Assurance Publications”.
- 2.6 The MNE-MoD, after the approval of the acquisition contract draft, will grant power of attorney to the ITA-MoD for the signature of the mentioned contract on behalf of the MNE-MoD, which, although not a legal participant in the contract with the industrial supplier, will be the end user of the vehicles and the services which are being procured;
- 2.7 The MNE-MoD recognizes that the ITA-MoD is not responsible in any way for the performance of the contract by the industrial supplier. In the event of default by the industrial supplier, the responsibility (including any financial commitment) of ITA-MoD cannot be sought.
- 2.8 The ITA-MoD will negotiate and conclude the contract on the basis of fixed or firm prices.
- 2.9 The acquisition of the requested vehicles and associated parts and services by the MNE-MoD will be subject to the applicable transfer and export rules of the Italian Government. All the costs associated to the transfer and export phases will be borne by the Industrial Supplier in accordance with DAP INCOTERMS 2020.
- 2.10 The contractual provisions will be delivered in 2 (two) batches of the approximative value of 40% and 60% of the total amount, respectively. The delivery of the first batch will begin no later than 9 months, while the entire provision will be completed no later than 18 months from the commercial contract entry into effect.
- 2.11 ITA-MoD commits to providing support to MNE-MoD in the event of any issues arising during the execution of the contract.
- 2.12 Both Participants will exert their best efforts to assist the industrial supplier IVECO Defence Vehicles S.p.A. in submitting all necessary documentation to the relevant national authorities and in securing the required licenses and permissions for the implementation of this IA.

SECTION 3. MANAGEMENT

- 3.1 The implementation of this IA will be directed and managed by a Coordination Team (CT), chaired by two Program Managers, one for each Participant, each of them to be appointed by the relevant national authority. The CT will include the respective subject matter experts.
- 3.2 The CT will meet as often as necessary. A meeting of the CT may consist of physical meeting, conference call or video conference, provided that the means of communication enable the identification of each participant.
- 3.3 The CT may appoint dedicated Technical Panels (TPs) to define, negotiate, or manage specific aspects of this cooperation.
- 3.4 To ensure better coordination of the activities, MNE-MoD representatives may be detached to ITA-MoD. All the related costs will be covered by MNE-MoD.

SECTION 4. FINANCIAL PROVISIONS

- 4.1 This IA will not determine financial commitments for ITA-MoD. All possible project-related expenses incurred by the Participants will be subject to the availability of funds in their ordinary annual budget.
- 4.2 MNE-MoD will bear the costs sustained by the ITA-MoD for the programme contracting activities carried out for the MNE-MoD, in accordance with the specific activities described in this IA. The total maximum financial commitment for the MNE-MoD (excluding taxes, custom duties and similar charges) will not exceed the budget of € 20.000.000,00 (twenty million euros), as defined in more details in **Annex 2**
- 4.3 It is responsibility of MNE-MoD to ensure that any delivered vehicles will be free of any taxes and/or levies and/or VAT in Montenegro, including but not limited to customs fee, withholding tax, sales tax, income tax or any other direct/indirect taxes applied in Montenegro.
- 4.4 The ITA-MoD will assure that the prices of items to be procured will be billed from industrial supplier at their total value to the ITA-MoD.
- 4.5 The Call for Funds will be issued by ITA-MoD and will be paid by MNE-MoD within the thirtieth day from the receipt of the call.
- 4.6 The ITA-MoD will refund any payments received for this acquisition which are proven to be in excess of the final total cost of delivery and performance.
- 4.7 Participants agreed to mutual monitor the balance of financial resources after payment according to the signed contracts, as well as to return unspent financial resources after the expiration of this IA.

SECTION 5. QUALITY ASSURANCE

- 5.1 Final quality control of all deliverables will be performed by the ITA-MoD in accordance with NATO STANAG 4107 “Mutual Acceptance of Government Quality Assurance and Usage of the Allied Quality Assurance Publications.” Materiel inspections statement will be issued by ITA-MoD. For these purposes ITA-MoD will nominate an acceptance commission.
- 5.2 MNE-MoD can deploy an expert, as observer, within the ITA-MoD acceptance commission. The observer will not be responsible for final testing and acceptance, however he will be authorized to watch, gather information and when needed/requested, to provide feedback without actively participating in the acceptance phases. For these purposes, the observer will record observations, will collect data and share findings with MNE-MoD, will monitor progresses and identify potential risks and issues and will provide objective feedback to both the acceptance commission and MNE-MoD.
- 5.3 MNE-MoD will join the acceptance protocol and accept the delivery from ITA-MoD, without further verification.

SECTION 6. TITLE OF OWNERSHIP TRANSFER

- 6.1 ITA-MoD will deliver and pass title of ownership to MNE-MoD at the initial point of shipment. With the respect to the items procured for sale to MNE-MoD, such items will be delivered at the barracks “Milovan Šaranović” in Danilovgrad, Montenegro. The transportation from the acceptance site to the aforementioned delivery point will be performed by the Industrial Supplier (DAP INCOTERMS 2020).
- 6.2 MNE-MoD will accept the materiel inspection using ITA-MoD procedures and billing statement as evidence that title of ownership has passed.
- 6.3 ITA-MoD will disclaim any liability for damage or loss to the items incurred after the passage of title of ownership.

SECTION 7. WARRANTIES AND DISCREPANCY REPORTING

- 7.1 ITA-MoD does not warrant or guarantee any of the items sold pursuant to this IA, except the title of ownership of the items sold to MNE-MoD.
- 7.2 ITA-MoD will enforce the warranty conditions for MNE-MoD within the execution functions of the contract. This will ensure the replacement or correction of defective items, within the warranty limits and conditions stipulated in the commercial contract.
- 7.3 In the case of defective procured items, MNE-MoD will submit a report to ITA-MoD. ITA-MoD will seek resolution through the Industrial Supplier under the provisions of the acquisition contract.

SECTION 8. OWNERSHIP, DISCLOSURE AND USE OF INFORMATION

- 8.1 For the purpose of this IA, the term Information will include recorded or documented information of a scientific, technical, business or financial nature, whatever the format, documentary characteristics or other medium of presentation such as: experimental and test data, specifications, designs and design processes, inventions and discoveries whether patentable or not, technical descriptions and other works, technical and manufacturing data packages, knowhow and trade secrets and information relating to industrial techniques. It may be presented in the form of documents, pictorial reproductions, drawing and other graphic representations, disk and film recordings (magnetic, optical and laser), computer software both programmatic and database, and computer memory printouts or data retained in computer memory, or any other form.
- 8.2 Information which is not generated in the performance of this IA will be considered as Background Information and its ownership will remain with the originator and will not be acquired by the receiving Participant.
- 8.3 Each Participant will use Background Information disclosed by the other Participant only for the purposes of this cooperation. This will imply also the disclosure of the military logistic vehicles and associated services requirements to the industrial supplier IVECO Defence Vehicles S.p.A. and to its subcontractors involved in the program.
- 8.4 The receiving Participant will not further disclose such Background Information without the prior written consent of the disclosing Participant. Among other things, the receiving Participant will not be authorized to:
- use the technical documentation for commercial purposes;
 - reverse engineering, reverse compile, reverse assemble or otherwise translate into any human or machine-readable form any technical documents, in whole or on part;
 - modify, copy, translate into any language, reproduce or make derivative works of technical documents and data, in whole or in part.
- 8.5 Any Intellectual Property Right (IPR) will remain the property of who has developed or owns the relevant know-how (IVECO Defence Vehicles S.p.A. and its suppliers). Therefore, the procurement of the requested Military Logistic Vehicles will not be construed as granting expressly or impliedly any title or rights to any know-how, designs, copyright, IPR patent, utility, design model, trademark or any license whatsoever in relation to the aforementioned vehicles supply and documentation that are property of IVECO Defence Vehicles S.p.A. and its suppliers.
- 8.6 In consideration of the confidential and proprietary nature of the technical documents and of any information contained therein, MNE-MoD undertakes not to disclose any such documents and information to any third party without the prior written consent of IVECO Defence Vehicles S.p.A. which, will also be responsible of coordinating such consent with its suppliers, as applicable. Such obligations will remain valid also after the expiry or termination of the acquisition contract.

SECTION 9. SECURITY OF CLASSIFIED INFORMATION

- 9.1 Classified material or information will be handled in accordance with the Agreement between the Government of the Italian Republic and the Government of Montenegro on the exchange and mutual protection on classified information, signed in Podgorica on 13 October 2015 by the Representatives of both the Italian Republic and Montenegro Governments.
- 9.2 The Participants will facilitate the exchange of relevant and necessary classified Information for the purposes of this cooperation and grants the security of classified information beyond the duration of this IA.

SECTION 10. STATUS OF PERSONNEL

- 10.1 The legal status of the military and civilian personnel in the territory of the other Participant is covered by Agreement between the Parties to the North Atlantic Treaty regarding the status of their forces, done in London on 19 June 1951 (NATO SOFA).
- 10.2 Personal data of the military and civilian personnel involved in the implementation of this IA will be protected in accordance with the applicable European legislation and the respective national Law.

SECTION 11. LEGAL INTERPRETATION AND SETTLEMENT OF DIVERGENCIES

- 11.1 Any difference in the interpretation of this IA will be settled amicably, in a limited timeframe, through direct consultations and negotiations between the Participants in a specific consultative committee, jointly nominated for the purpose by the Participants.
- 11.2 Although MNE-MoD is not a legal Participant in the acquisition contract with the Industrial Supplier, it will represent the end user of the land vehicles and the services associated to the procurement. Therefore ITA-MoD will support MNE-MoD potential claims, arising after the deliveries of the single provisions, through the exercise of the warranty terms as described in the commercial contract.
- 11.3 This IA is not intended to create any rights or obligations, neither pre-contractual nor contractual, that are legally binding on the Participants.

SECTION 12. ENTRY INTO EFFECT, DURATION AND AMENDMENTS

- 12.1 This IA takes effect on the date of the last signature and it will remain valid until the stemming contract will be fully completed.
- 12.2 In the event the Participants jointly decide to terminate this IA, its relevant provisions will remain effective until all outstanding issues are settled or solved. Classified Information received for the execution of this IA will remain protected in accordance with Section 9 of this IA.
- 12.3 This IA may be amended or modified at any time, in writing, by mutual consent of the Participants.

12.4 Annexes and Appendixes may be amended or modified at any time in writing with the joint consent of the two program managers in the CT.

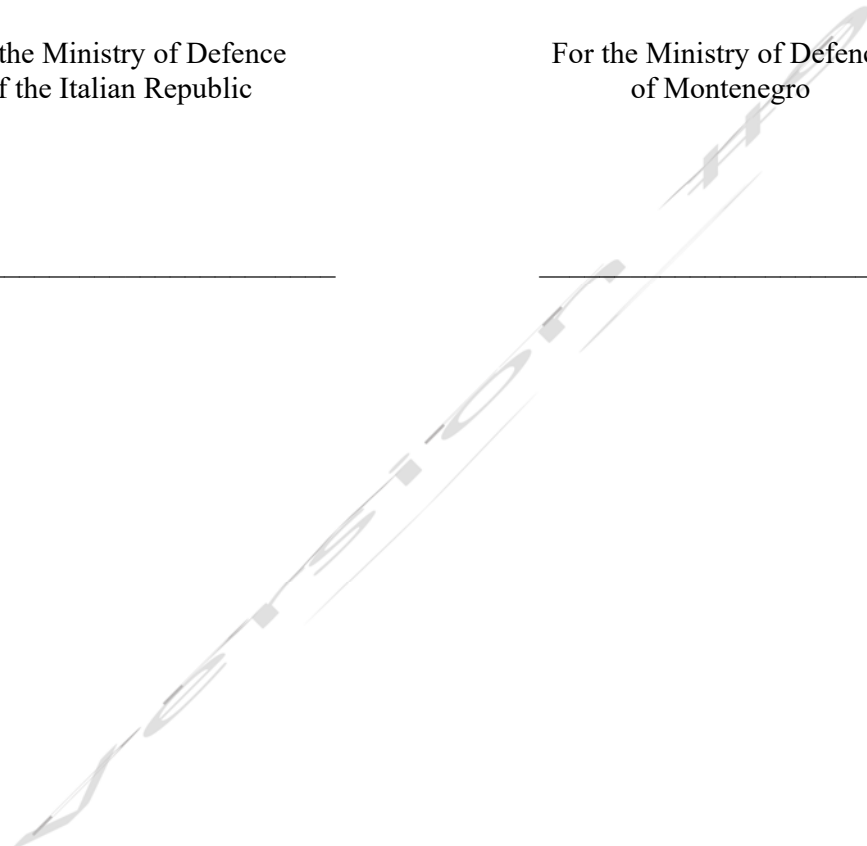
12.5 The working language in the implementation and execution of this IA and of the descending PAs/TAs documents will be English.

12.6 This IA and the descending documents will be signed in English language.

Signed in _____ on _____ in four original copies, in English language, all copies being equally authentic.

For the Ministry of Defence
of the Italian Republic

For the Ministry of Defence
of Montenegro



Military Logistic Vehicles for Montenegro Armed Forces

ANNEX 1

VEHICLES CONFIGURATION

November 2024

SUMMARY

1. IVECO EUROCARGO MLL150E28WS TROOP TRANSPORT	5
1.1 Dimension and Masses	5
1.2 Engine and Performance	6
1.3 Gearbox, Transfer Case and Axles	7
1.4 Suspensions, Brakes, Wheels and Tires.....	7
1.5 Chassis and Frame	8
1.6 Towing Hook and Winch	9
1.7 Electric and Fuel System.....	9
1.8 Cargo Area.....	9
2. IVECO MODEL M170.33WM (SM 44.31 4x4) TROOP TRANSPORT	10
2.1 Dimension and Masses	10
2.2 Engine and Performance	10
2.3 Gearbox, Transfer Case and Axles	11
2.4 Suspensions, Brakes, Wheels and Tires.....	11
2.5 Chassis and Frame	12
2.6 Towing Hook and Winch	12
2.7 Electric and Fuel System.....	14
2.8 Cargo Area.....	15
3. IVECO MODEL M250.40 WM (SM 66.40 6x6) TROOP TRANSPORT	16
3.1 Dimension and Masses	16
3.2 Engine and Performance	16
3.3 Gearbox, Transfer Case and Axles	17
3.4 Suspensions, Brakes, Wheels and Tires.....	17
3.5 Chassis and Frame	18
3.6 Towing Hook and Winch	18
3.7 Electric and Fuel System.....	20
3.8 Cargo Area.....	20
4. IVECO EUROCARGO MLL150E28WS FUEL TANK 7000 L CONFIGURATION	22
4.1 Dimension and Masses	22
4.2 Engine and Performance	23

4.3	Gearbox, Transfer Case and Axles	24
4.4	Suspensions, Brakes, Wheels and Tires.....	25
4.5	Chassis and Frame	25
4.6	Towing Hook and Winch	26
4.7	Electric and Fuel System.....	26
4.8	Fuel Tank	26
5.	IVECO MODEL M170.33WM (SM 44.31 4x4) DIESEL TANK 6000 L.....	29
5.1	Dimension and Masses	29
5.2	Engine and Performance	29
5.3	Gearbox, Transfer Case and Axles	30
5.4	Suspensions, Brakes, Wheels and Tires.....	30
5.5	Chassis and Frame	31
5.6	Towing Hook and Winch	31
5.7	Electric and Fuel System.....	32
5.8	Fuel Tank	32
6.	IVECO EUROCARGO MLL150E28WS AVIATION REFUELER TANK 7000 L (JET FUEL) ADR FL CONFIGURATION	34
6.1	Dimension and Masses	34
6.2	Engine and Performance	35
6.3	Gearbox, Transfer Case and Axles	36
6.4	Suspensions, Brakes, Wheels and Tires.....	37
6.5	Chassis and Frame	37
6.6	Towing Hook and Winch	38
6.7	Electric and Fuel System.....	38
6.8	Fuel Tank	38
7.	IVECO EUROCARGO MLL150E28WS WATER TANK 7000 L CONFIGURATION	41
7.1	Dimension and Masses	41
7.2	Engine and Performance	42
7.3	Gearbox, Transfer Case and Axles	43
7.4	Suspensions, Brakes, Wheels and Tires.....	44
7.5	Chassis and Frame	44
7.6	Towing Hook and Winch	45

7.7	Electric and Fuel System.....	45
7.8	Water Tank	45
8.	IVECO MODEL M170.33WM (SM 44.31 4x4) WATER TANK 5000 L	47
8.1	Dimension and Masses	47
8.2	Engine and Performance	47
8.3	Gearbox, Transfer Case and Axles	48
8.4	Suspensions, Brakes, Wheels and Tires.....	48
8.5	Chassis and Frame	49
8.6	Towing Hook and Winch	49
8.7	Electric and Fuel System.....	50
8.8	Water Tank	50
9.	RECAP TABLE	52
10.	OTHER CARATHERISTICS.....	52
10.1	COMMON TO ALL THE VEHICLES	52
10.2	VEHICLES FOR TROOPS TRANSPORTATION / CARGO	52
10.3	TANK VEHICLES	53

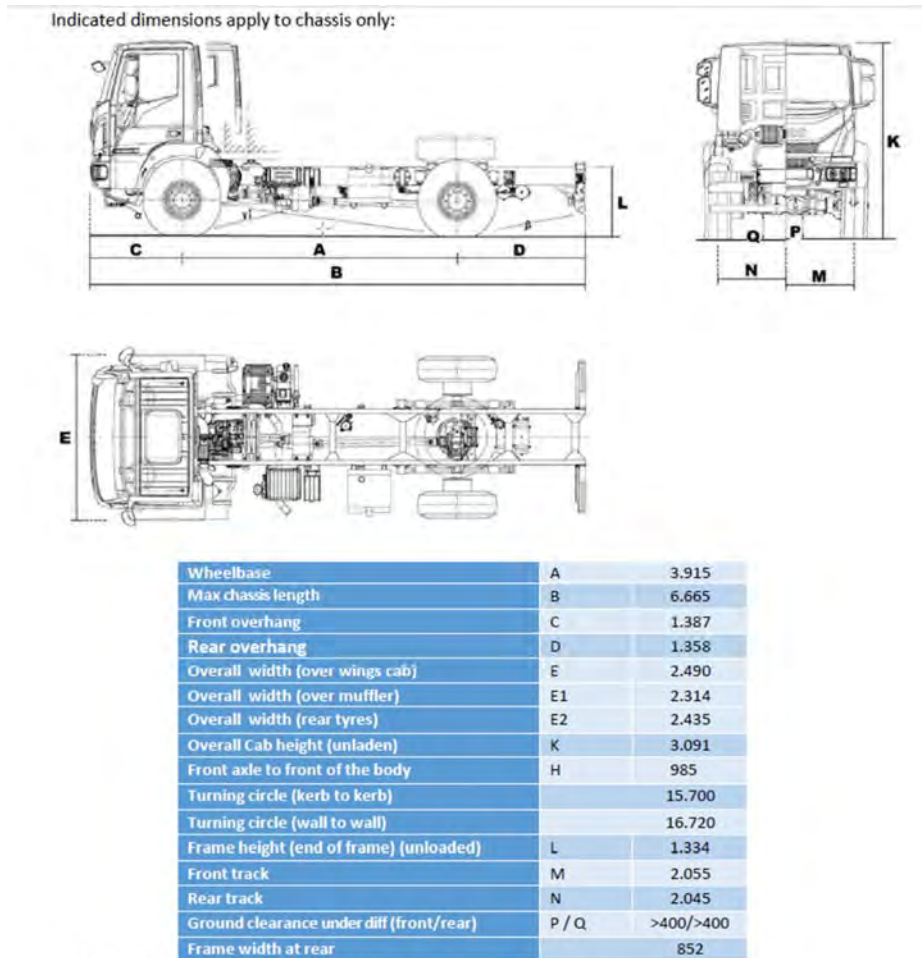
1. IVECO EUROCARGO MLL150E28WS TROOP TRANSPORT

The configuration of the IVECO EUROCARGO MLL150E28WS Vehicle for MNE-MoD is described in the following paragraphs. The IVECO EUROCARGO MLL150E28WS is a 4x4 permanent drive vehicle, left-hand drive, long cab, front engine, advanced driving cab, single wheeled front steering axle, single wheeled rear axle, suitable for heavy duty on-road and off-road operation.

The integration of all equipment and systems (including provisions) which are part of MNE-MoD Military Logistic Vehicles will be qualified according to IVECO Defence Vehicles qualification Process.

1.1 Dimension and Masses

The IVECO EUROCARGO MLL150E28WS dimensions and masses that will be provided to MNE MoD are reported respectively in Figure #1 and #2:



All dimensions are in mm with 14.00R20 tyres.

Figure #1

Weights are referred to standard configuration and include: chassis cab, driver (75 kg), full fuel tank (200 l), tool kit and spare wheel. Values in kg.

Total vehicle kerb weight	5975
Kerbweight on Front Axle	3970
Kerbweight on Rear Axle	2005
G.V.W. (EC)	15000
Plated weight on front axle (EC)	5700
Plated weight on rear axle(s) (EC)	10000
Max body & payload (Design)	9025

Figure #2

1.2 Engine and Performance

The IVECO EUROCARGO MLL150E28WS is equipped with a Common-rail direct injection, turbocharged, intercooler and water cooled Tector 6 engine. The engine has 275HP with the emission level declared at EURO 3 level.

- Number of cylinders 6 in line
- Total displacement 5.880 cm³
- Stroke 102 mm
- Bore 120 mm
- Maximum Power 202 kW (275HP) @ 2500 rpm
- Maximum Torque 930 Nm @ 1250 rpm

The maximum speed of the IVECO EUROCARGO MLL150E28WS is electronically limited. In Figure #3 are reported the performances of the model for MNE-MoD

Maximum speed at GVW on flat surface (km/h with electronic speed limiter)	90
Maximum climbable (front) gradient	31° (60%)
Maximum side slope (without superstructure)	26° (58%)
Approach angle	31°
Departure angle	16°
Max fording depth [mm]	750
Cruising range at GVW (on paved road, on flat surface at 67 km/h) [km]	> 800
Temperature range:	-20°C / +49°C

Figure #3

IVECO turbo brake engine brake.

Tector engines installed on Eurocargo are equipped with a butterfly valve in the exhaust manifold to improve standard engine brake performance. Said valve increases the backpressure of the exhaust gases, thus increasing engine braking power.

The function can be controlled from a stalk on the steering wheel with two function modes:

- 1- By pressing the brake pedal only.
- 2- By releasing the throttle pedal, independently from brake pedal operation.

This function decreases driver fatigue avoiding the use of the brake pedal to slow the vehicle and reduces brake and brake pads wear.

Engine brake is effective above 1000 rpm of the engine according to curve shown in Figure #4:

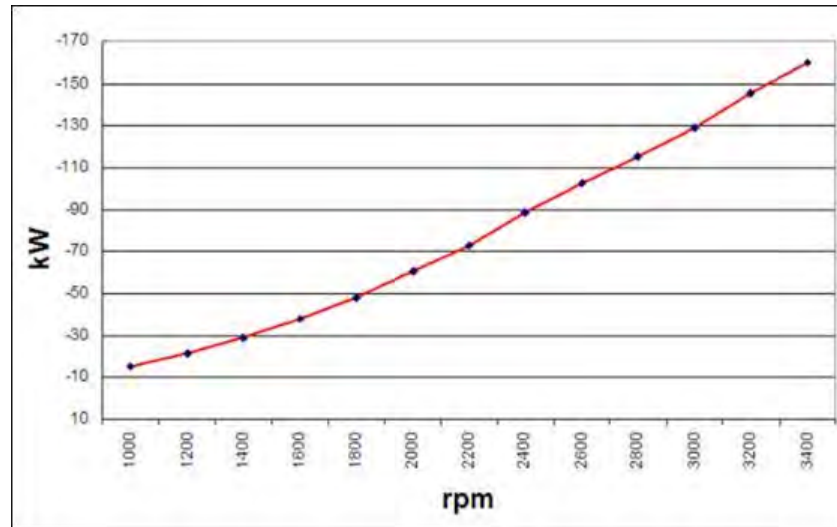


Figure #4

1.3 Gearbox, Transfer Case and Axles

The IVECO EURO CARGO MLL150E28WS has a manual ZF gearbox type ZF 6S 1000 TO: six forward synchronized speeds plus one reverse. No Intarder/Retarder.

The Transfer case of the truck is the IVECO TC 1100 which is installed on chassis, independently from the gearbox. Permanent 4x4 drive with longitudinal differential. Two ratios: on-road (1:0,99) and off-road (1:1,94). Torque distribution: 33% front, 67% rear. Longitudinal differential can be locked in heavy off-road use (scheme in Figure #5)

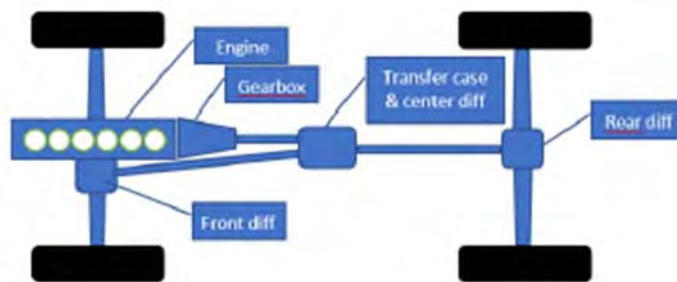


Figure #5

The Axles parameters are:

Front axle: Iveco 5956. Rigid, hub reduction. Axle ratio: 5,326. Differential lock.

Rear axle: Iveco 451146/1. Hub reduction. Axle ratio: 5,326. Differential lock.

1.4 Suspensions, Brakes, Wheels and Tires

SUSPENSIONS:

Front: Parabolic leaves springs with single flexibility, integrated with two elastic plugs and double-action telescopic hydraulic shock-absorbers.

Rear: Parabolic leaves springs with single flexibility.

Anti-roll bar on the front and rear axles.

BRAKES:

Two independent pneumatic circuits.

A.B.S. and E.B.L. systems.

Front and rear axle drum brakes.

Diameter: 381 mm

Width: 178 mm

Service and emergency: pneumatic on all wheels.

Parking: mechanical type with spring and pneumatic control on rear axles.

Engine brake IVECO FPT on exhaust system.

WHEELS AND TIRES:

Front: 14.00 R 20 single mounted

Rear: 14.00 R 20 single mounted

Disc type 20-10.00W, fitted singly on front and rear axle.

One spare wheel 14.00 R 20" mounted on the superstructure.

Runflat VFI system on all wheels. The vehicle in full load configuration, having one or two tyre penetrated, can cover a course of a total distance without the tyre dismounting from the wheel or starting to catch fire and with no serious effect on steering, manoeuvrability, stability, braking and maintenance of speed under the following conditions:

- 50 km on road (3 km @ max speed; 10 km @50 km/h constant speed; 37 km @25 km/h)
- travel off road for 2 hours at a speed of approximately 20 km/h without the tyre leaving the wheel rim or starting to catch fire.

1.5 Chassis and Frame

Made of high-strength steel with "C"-shaped side members connected by bolted and riveted cross members.

The following are the data for the side members (spars):

Side members thickness (mm) 6

Side members max height (mm) 252

Side members flange width (mm) 70

1.6 Towing Hook and Winch

All the IVECO EUROARGO MLL150E28WS are equipped with Automatic drawbar coupling Ringfeder type K4D suitable for connection with drawbar eyes 76mm. No winch will be installed on the model selected by MNE-MoD.

1.7 Electric and Fuel System

ELECTRIC SYSTEM:

Tension: 24 V

Batteries: 2x 12V, 143 Ah

Alternator: 28 V – 90 A

Starter: 24 V – 4 kW

Mechanical batteries main switch.

NATO slave starter socket

Blackout lighting system (front, rear and convoy lights)

FUEL SYSTEM:

200-liters nominal capacity steel fuel tank with level indicator and filter;

Water separator filter, transparent for ease of inspection.

1.8 Cargo Area

The dimensions of the cargo area of the IVECO EUROARGO MLL150E28WS are as follow:

- 4000mm length
- 2500 mm width
- 1800 mm minimum height (centerline).

The cargo capacities and body configuration are as follows:

16 passengers on foldable benches (wooden slats) along the cargo area.

5 drop sides (2+2 sides and 1 rear) foldable, with locking hooks, rubber stops and hooks for tarpaulin anchorage on the external surface.

The drop sides will be removable in open position, without any tool.

Spare wheel holder inside the cargo area. D-Hooks on the floor to tie down cargo.

Waterproof tarpaulin with foldable sides.

2. IVECO MODEL M170.33WM (SM 44.31 4x4) TROOP TRANSPORT

The configuration of the IVECO M170.33WM (SM 44.31 4x4) Vehicles for MNE-MoD is described in the following paragraphs. The IVECO M170.33WM is a high mobility all-terrain chassis with single wheeled front axle, single wheeled rear axle and permanent all-wheel drive.

The integration of all equipment and systems (including provisions) which are part of MNE-MoD Military Logistic Vehicles will be qualified according to IVECO Defence Vehicles qualification Process.

2.1 Dimension and Masses

The IVECO M170.33WM (SM 44.31 4x4) dimensions and masses that will be provided to MNE MoD are indicated below:

DIMENSIONS

Wheelbase:	4200 mm
Front overhang:	1375 mm
Rear overhang:	1800 mm
Chassis width:	2550 mm max
Approach angle:	42°
Departure angle:	30° (with rear underride bar folded up, off-road position)
Ground clearance:	420 mm
Turning Ø between walls:	18,0 m (9,0 m turning radius)
Tolerance on a/m values	± 5%

MASSES

Legal GVW:	18000 kg
Maximum permissible axle loads	
Front axle:	9000 kg
Rear axle:	10000 kg
Vehicle Weights Estimation:	
Chassis total kerb weight:	9300 kg (including crew and fuel)
Total with superstructure:	11520 kg
Vehicle gross payload:	6480 kg
Tolerance on a/m values	± 5%

2.2 Engine and Performance

The IVECO M170.33WM is equipped with a turbocharged, intercooler 4-stroke diesel direct injection system water cooling IVECO F2B Cursor 8 engine. The engine has 330HP, emission level EURO 5.

- Number of cylinders 6 in line
- Total displacement 7.790 cm³
- Stroke 125 mm
- Bore 115 mm
- Maximum Power 245kW (330 HP) @ 2400 rpm
- Maximum Torque 1300 Nm @ 1685 rpm

The maximum speed of the IVECO M170.33WM is electronically limited. Below are reported the performances of the model for MNE-MoD

Max speed on flat paved surface:	85 km/h with electronic speed limiter
Gradient capability:	60% (30°)
Side slope capability:	30% (17°)
Fording capability:	1200 mm
Engine specific power:	13,6 kW/t (referred to the legal 4x4 GVW)
Fuel maximum range:	800 km (according to CUNA NC003-01 at 55 km/h speed on flat paved road)
Operating temperature range:	-32°C +49°C

2.3 Gearbox, Transfer Case and Axles

Automatic gearbox with torque converter, Allison 3500SP, 6 forward speeds + 1 reverse, Integrated retarder.

IVECO transfer case with two transmission ratios (normal and reduced). The reducer-splitter group consists of a series of constant mesh cylindrical helical gears. Lockable by pneumatic control from inside the cabin.

The Axles parameters are:

Front axle: IVECO-FPT load bearing driven axle, steerable, with double reduction, central by bevel gear, in wheel hubs by planetary gear. Lockable differential between wheels.

Rear axle: IVECO-FPT load bearing driven axle, with double reduction, central by bevel gear, in wheel hubs by planetary gear. Lockable differential between wheels.

2.4 Suspensions, Brakes, Wheels and Tires

SUSPENSIONS:

Front: parabolic leaf springs, with rubber bumpers and double-action telescopic hydraulic shock-absorbers. Anti-roll bar fitted.

Rear: parabolic leaf springs, with double-action telescopic hydraulic shock-absorbers. Anti-roll bar fitted.

BRAKES:

Service brake: Disk brakes at front and rear, with hydraulic calipers and pneumo-hydraulic converters. Three independent sections air brakes.

A.B.S. with 4 channels electronic control unit and E.B.L. systems.

Parking and emergency brake: pneumatically actuated on the rear wheels by means of spring cylinders.

Auxiliary parking brake: pneumatically actuated on the front wheels. It can be engaged only after engaging the parking brake. It allows prolonged standing on slopes up to 60%.

Pneumatic system: the system is fed by a compressor that supplies the necessary quantity of compressed air to the system via an APU distributor-drier. The air is stored in suitable tanks and drawn off as required by the vehicle braking system and utilities.

WHEELS AND TIRES:

Front: 14.00 R 20 tubeless with off-road pattern

Rear: 14.00 R 20 tubeless with off-road pattern

Rims: steel rims 10.00-20 front and rear.

Spare wheel 14.00 R20 mounted on the vehicle.

Runflat VFI system on all wheels. The vehicle in full load configuration, having one or two tyre penetrated, can cover a course of a total distance without the tyre dismounting from the wheel or starting to catch fire and with no serious effect on steering, manoeuvrability, stability, braking and maintenance of speed under the following conditions:

- 50 km on road (3 km @ max speed; 10 km @50 km/h constant speed; 37 km @25 km/h)
- travel off road for 2 hours at a speed of approximately 20 km/h without the tyre leaving the wheel rim or starting to catch fire.

The IVECO M170.33WM for MNE-MoD will be equipped with Central Tyre Inflation System - CTIS with internal air ducts. It allows the driver to adapt the tyres pressure (also when the vehicle is moving) in order to have the optimum footprint on any terrain condition. The system also allows to have different pressures between front and rear wheels. The system is charged with compressed air to adjust tyre pressure gradually and it is completely controlled from inside the cabin by means of a control panel.

2.5 Chassis and Frame

The frame consists of longitudinal main beams made of special forged steel with “C” section, connected by riveted or screwed cross members. Front steel bumper.

The following are the data for the side members (spars):

Side members thickness	(mm) 8
Side members max height	(mm) 300
Side members flange width	(mm) 75

2.6 Towing Hook and Winch

All the IVECO M170.33WM are equipped with following hooks, according to STANAG 4101 Ed. 2:

Front pin (only for maneuvering, not suitable for towing purposes).

Two front towing eyes (shackles).

Rear towing hook, fitted with automatic lock, UN966 series.

Two rear towing eyes (shackles).

In accordance with following para 7 some trucks will be equipped with a hydraulic winch mounted on the chassis right side for towing purposes and for self-recovery of the unladen vehicle. The winch is driven by the chassis PTO by means of a suitable hydraulic pump, hydraulic oil tank and hydraulic circuit.

Winch performances as follows:

- Single line max pulling force (at 1st layer): 10000 kg;
- Single line pulling at vehicle rear;
- Variable recovery speeds and pulling capacities according to layer as per here below table:

Layer of Wire Rope	Pull by Layer kg
1 st	10,000
2 nd	8,343
3 rd	7,157
4 th	6,267
5 th	5,573
6 th	5,018

Figure #1

Main features of the winch as follows:

- Planetary gear winch;
- Oil flow 60 l/min at 200 bar operating pressure;
- Multi-disc brake and counterbalance valve;
- Roller fairlead and cable tensioner;
- Steel wire rope zinc coated c/w hook/thimble;
- Rope length on drum \geq 60 m;
- Rope diameter 14 mm;
- Remote control cable 10 m long;
- Emergency stop button close to the winch and on remote control;
- Guiding rod for cable rewinding on the drum;
- Horizontal/vertical roller guides and pulleys along the chassis frame;
- Kit of necessary equipment/hooks for proper operation;
- Accessories: 1 no. snatch block and 1 no. tree trunk protector 4 m long.

Winch installation as per following general layouts (not binding, subject to review) see Figure #2 and #3:

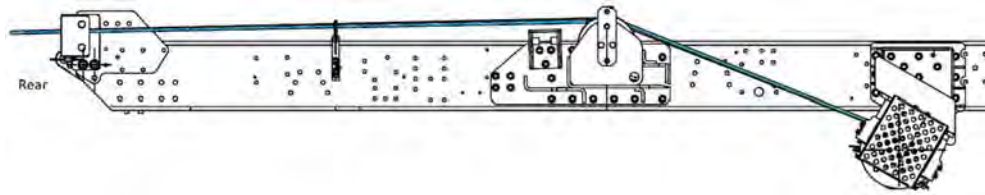


Figure #2

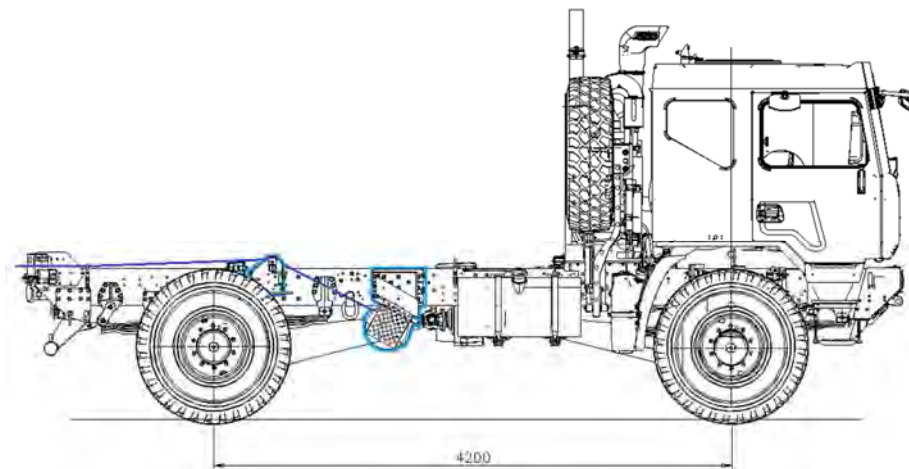


Figure #3

2.7 Electric and Fuel System

ELECTRIC SYSTEM:

Nominal voltage: 24 V

Batteries: 4x 12V, 110 Ah (total 220 Ah)

Alternator: 28 V – 150 A

Starter: 24 V – 4,5 kW

Main current relay and external socket for emergency start-up and to charge on-board accumulators (according to STANAG 4074 Ed. 3) (including starting cables set)

7 pole joint (ISO 7638) for trailer ABS

12 pole joint (STANAG 4007 Ed. 2) for trailer lighting

EMC complying with MIL-STD-461C specification.

Normal and Blackout lighting equipment as follows:

Standard front headlights (low beam-main beam position), front blackout headlight and front blackout position lights (STANAG 4381 Ed. 1 or equivalent)

Front turn and side direction indicators

Front headlight protection grids

Rear and braking lights, turn indicators (rear and braking lights with blackout system)

Number plate light

Rear reflectors

Rear fog light and rear reversing light

Front, rear and side marker lights

FUEL SYSTEM:

400 liters capacity steel fuel tank, mounted on the side, with level indicator and reserve.

2.8 Cargo Area

Cargo area for transporting materials, shelter type UEO 2 or container type ISO 10'.

Steel plate platform; 1 fixed high steel front tailgate; 2+2 openable side rails plus handrail, foldable from top to bottom and removable; 2+2 removable side rails per side; 1 rear tailgate, foldable from top to bottom and removable; ladders/access steps attached to the rear tailgate.

Equipped with demountable and transportable ribs on chassis, one tarpaulin that can be rolled up to the side, three tarpaulin support arches for rear-cab attachment. Equipped with benches on the side of the body for transporting at least 16 persons.

Allows securing of ISO 10' containers via 4 twist locks.

3. IVECO MODEL M250.40 WM (SM 66.40 6x6) TROOP TRANSPORT

The configuration of the M250.40 WM (SM 66.40 6x6) Vehicles for MNE-MoD is described in the following paragraphs. The IVECO M250.40 WM is a high mobility all-terrain chassis with single wheeled front axle, single wheeled rear axle and permanent all-wheel drive.

The integration of all equipment and systems (including provisions) which are part of MNE-MoD Military Logistic Vehicles will be qualified according to IVECO Defence Vehicles qualification Process.

3.1 Dimension and Masses

The IVECO M250.40WM dimensions and masses that will be provided to MNE MoD are indicated below:

DIMENSIONS

Wheelbase:	3750 mm + 1450 mm
Front overhang:	1375 mm
Rear overhang:	1405 mm
Chassis width:	2550 mm max
Approach angle:	42°
Departure angle:	40° (with rear underride bar folded up, off-road position)
Ground clearance:	420 mm
Turning Ø between walls:	20,0 m (10,0 m turning radius)

MASSES

Legal GVW:	26000 kg
Maximum permissible axle loads	
Front axle:	9000 kg
Rear axles:	19000 kg
Vehicle Weights Estimation:	
Chassis total curb weight:	11700 kg (including crew and fuel)
Vehicle payload:	8400 kg (referred to the Legal GVW)

3.2 Engine and Performance

The IVECO M250.40WM is equipped with a turbocharged, intercooler 4-stroke diesel direct injection system water cooling IVECO F3B Cursor 13 engine. The engine has 410HP, emission level EURO 5.

- Number of cylinders 6 in line
- Displacement 12.882 cm³
- Stroke 150 mm
- Bore 135 mm
- Maximum Power 300kW (410 HP) @ 1900 rpm
- Maximum Torque 1900 Nm @ 1500 rpm

The maximum speed of the IVECO M250.40WM is electronically limited. Below are reported the MNE-MoD model performances, referred to a vehicle in fully laden condition:

Max speed on flat paved surface:	85 km/h with electronic speed limiter
Gradient capability:	60%
Side slope capability:	30%
Fording capability:	1200 mm
Engine specific power:	11.76 kW / t (referred to the legal 6x6 GVW)
Fuel maximum range:	600 km (according to CUNA NC003-01 at 60 km/h speed on flat paved road)
Operating temperature range:	-32°C +49°C

3.3 Gearbox, Transfer Case and Axles

Automatic gearbox with torque converter, Allison 4500SP, 6 forward speeds + 1 reverse, Integrated retarder.

IVECO transfer case with two transmission ratios (normal and reduced). The reducer-splitter group consists of a series of constant mesh cylindrical helical gears. Lockable by pneumatic control from inside the cabin.

The Axles parameters are:

Front axle: IVECO load bearing driven axle, steerable, with double reduction, central by bevel gear, in wheel hubs by planetary gear. Lockable differential between wheels.

Rear tandem axle: IVECO load bearing driven tandem axle, with double reduction, central by bevel gear, in wheel hubs by planetary gear. Splitter between axles lockable by pneumatic control. Lockable differential between wheels.

3.4 Suspensions, Brakes, Wheels and Tires

SUSPENSIONS:

Front axle: parabolic leaf springs, with rubber bumpers and double-action telescopic hydraulic shock-absorbers. Anti-roll bar fitted.

Rear axles: parabolic inverted leaf springs, jointly operating on the two axles rear boogie, oscillating around a central pin, integrated with triangle reaction rods.

BRAKES:

Service brake: Disk brakes at front and rear, with hydraulic calipers and pneumo-hydraulic converters. Three independent sections air brakes.

A.B.S. with 4 channels electronic control unit and E.B.L. systems.

Parking and emergency brake: pneumatically actuated on the rear wheels by means of spring cylinders

Auxiliary parking brake: pneumatically actuated on the front wheels. It can be engaged only after engaging the parking brake. It allows prolonged standing on slopes up to 60%.

Pneumatic system: the system is fed by a compressor that supplies the necessary quantity of compressed air to the system via an APU distributor-drier. The air is stored in suitable tanks and drawn off as required by the vehicle braking system and utilities.

WHEELS AND TIRES:

Front: 14.00 R 20 tubeless with off-road pattern

Rear: 14.00 R 20 tubeless with off-road pattern

Rims: steel rims 10.00-20 front and rear.

Spare wheel 14.00 R20 mounted on the vehicle.

Runflat VFI system on all wheels. The vehicle in full load configuration, having one or two tyre penetrated, can cover a course of a total distance without the tyre dismounting from the wheel or starting to catch fire and with no serious effect on steering, manoeuvrability, stability, braking and maintenance of speed under the following conditions:

- 50 km on road (3 km @ max speed; 10 km @50 km/h constant speed; 37 km @25 km/h)
- travel off road for 2 hours at a speed of approximately 20 km/h without the tyre leaving the wheel rim or starting to catch fire.

The IVECO M250.40WM for MNE-MoD will be equipped with the Central Tyre Inflation System - CTIS with internal air ducts. It allows the driver to adapt the tyres pressure (also when the vehicle is moving) in order to have the optimum footprint on any terrain condition. The system also allows to have different pressures between front and rear wheels. The system is charged with compressed air to adjust tyre pressure gradually and it is completely controlled from inside the cabin by means of a control panel.

3.5 Chassis and Frame

The frame consists of longitudinal main beams made of special forged steel with “C” section, connected by riveted or screwed cross members. Front steel bumper.

The following are the data for the side members (spars):

Side members thickness	(mm) 8
Side members max height	(mm) 300
Side members flange width	(mm) 75

3.6 Towing Hook and Winch

All the IVECO M250.40WM are equipped with following hooks, according to STANAG 4101 Ed. 2:

Front pin (only for maneuvering, not suitable for towing purposes).

Two front towing eyes (shackles).

Rear towing hook, fitted with automatic lock, UN966 series

Two rear towing eyes (shackles).

In accordance with following para 7 some trucks will be equipped with a hydraulic winch mounted on the chassis right side for towing purposes and for self-recovery of the unladen vehicle. The winch is driven by the chassis PTO by means of a suitable hydraulic pump, hydraulic oil tank and hydraulic circuit.

Winch performances as follows:

- Single line max pulling force (at 1st layer): 10000 kg;
- Single line pulling at vehicle rear;
- Variable recovery speeds and pulling capacities according to layer as per here below table:

Layer of Wire Rope	Pull by Layer kg
1 st	10,000
2 nd	8,343
3 rd	7,157
4 th	6,267
5 th	5,573
6 th	5,018

Figure #1

Main features of the winch as follows:

- Planetary gear winch;
- Oil flow 60 l/min at 200 bar operating pressure;
- Multi-disc brake and counterbalance valve;
- Roller fairlead and cable tensioner;
- Steel wire rope zinc coated c/w hook/thimble;
- Rope length on drum \geq 60 m;
- Rope diameter 14 mm;
- Remote control cable 10 m long;
- Emergency stop button close to the winch and on remote control;
- Guiding rod for cable rewinding on the drum;
- Horizontal/vertical roller guides and pulleys along the chassis frame;
- Kit of necessary equipment/hooks for proper operation;
- Accessories: 1 no. snatch block and 1 no. tree trunk protector 4 m long.

Winch installation as per following general layouts (not binding, subject to review) see Figure #2.

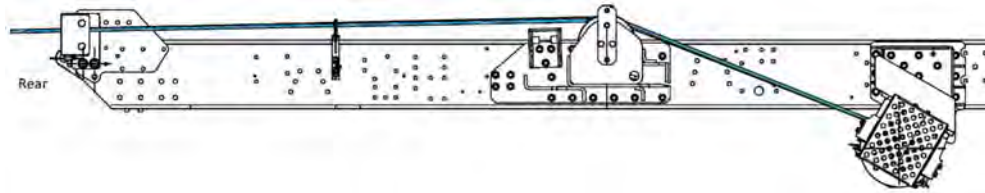


Figure #2

3.7 Electric and Fuel System

ELECTRIC SYSTEM:

Nominal voltage: 24 V

Batteries: 4x 12V, 110 Ah (total 220 Ah)

Alternator: 28 V – 150 A

Starter: 24 V – 4,5 kW

Main current relay and external socket for emergency start-up and to charge on-board accumulators (according to STANAG 4074 Ed. 3) (including starting cables set)

7 pole joint (ISO 7638) for trailer ABS

12 pole joint (STANAG 4007 Ed. 2) for trailer lighting

EMC complying with MIL-STD-461C specification.

Normal and Blackout lighting equipment as follows:

Standard front headlights (low beam-main beam position), front blackout headlight and front blackout position lights (STANAG 4381 Ed. 1 or equivalent)

Front turn and side direction indicators

Front headlight protection grids

Rear and braking lights, turn indicators (rear and braking lights with blackout system)

Number plate light

Rear reflectors

Rear fog light and rear reversing light

Front, rear and side marker lights

FUEL SYSTEM:

300 liter capacity steel fuel tank, mounted on the side, with level indicator and reserve

Fuel strainer in filler neck included.

3.8 Cargo Area

Cargo area for transporting materials. Steel plate platform; 1 fixed high steel front tailgate; 2+2 openable side rails plus handrail, foldable from top to bottom and removable; 2+2 removable side rails per side; 1 rear tailgate, foldable from top to bottom and removable; ladders/access steps attached to the rear tailgate.

Equipped with demountable and transportable ribs on chassis, one tarpaulin that can be rolled up to the side, three tarpaulin support arches for rear-cab attachment. Equipped with benches on the side of the body for transporting people.

4. IVECO EUROCARGO MLL150E28WS FUEL TANK 7000 L CONFIGURATION

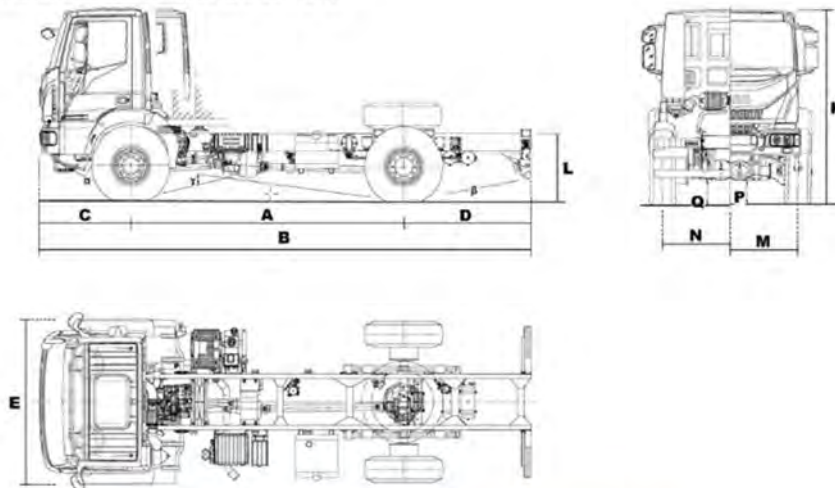
The configuration of the IVECO EUROCARGO MLL150E28WS Vehicle in the Diesel fuel tank configuration for MNE-MoD is described in the following paragraphs. The IVECO EUROCARGO MLL150E28WS is a 4x4 permanent drive vehicle, left-hand drive, long cab, front engine, advanced driving cab, manual gearbox, ADR FL equipment, single wheeled front steering axle, single wheeled rear axle, suitable for heavy duty on-road and off-road operation.

The integration of all equipment and systems (including provisions) which are part of MNE-MoD Military Logistic Vehicles will be qualified according to IVECO Defence Vehicles qualification Process.

4.1 Dimension and Masses

The IVECO EUROCARGO MLL150E28WS dimensions and masses that will be provided to MNE MoD are reported respectively in Figure #1 and #2:

Indicated dimensions apply to chassis only:



Wheelbase	A	3.690
Max chassis length	B	6.440
Front overhang	C	1.387
Rear overhang	D	1.358
Overall width (over wings cab)	E	2.490
Overall width (over muffler)	E1	2.314
Overall width (rear tyres)	E2	2.435
Overall Cab height (unladen)	K	3.091
Front axle to front of the body	H	985
Turning circle (kerb to kerb)		15.960
Turning circle (wall to wall)		14.900
Frame height (end of frame) (unloaded)	L	1.334
Front track	M	2.055
Rear track	N	2.045
Ground clearance under diff (front/rear)	P / Q	>400/>400
Frame width at rear		852

All dimensions are in mm with 14.00R20 tyres.

Figure #1

Weights are referred to standard configuration and include: chassis cab, driver (75 kg), full fuel tank (200 l), tool kit and spare wheel. Values in kg.

Total vehicle kerb weight	5925
Kerbweight on Front Axle	3965
Kerbweight on Rear Axle	1960
G.V.W. (EC)	15000
Plated weight on front axle (EC)	5700
Plated weight on rear axle(s) (EC)	10000
Max body & payload (Design)	9075

Figure #2

4.2 Engine and Performance

The IVECO EURO CARGO MLL150E28WS is equipped with a Common-rail direct injection, turbocharged, intercooler and water cooled Tector 6 engine. The engine has 275HP with the emission level declared at EURO 3 level.

- Number of cylinders 6 in line
- Total displacement 5.880 cm³
- Stroke 102 mm
- Bore 120 mm
- Maximum Power 202 kW (275HP) @ 2500 rpm
- Maximum Torque 930 Nm @ 1250 rpm

The maximum speed of the IVECO EURO CARGO MLL150E28WS is electronically limited. In Figure #3 are reported the performances of the model for MNE-MoD

Maximum speed at GVW on flat surface (km/h with electronic speed limiter)	90
Maximum climbable (front) gradient	31° (60%)
Maximum side slope (without superstructure)	26° (58%)
Approach angle	31°
Departure angle	16°
Max fording depth [mm]	750
Cruising range at GVW (on paved road, on flat surface at 67 km/h) [km]	> 800
Temperature range:	-20°C / +49°C

Figure #3

IVECO turbo brake engine brake.

Tector engines installed on Eurocargo are equipped with a butterfly valve in the exhaust manifold to improve standard engine brake performance. Said valve increases the backpressure of the exhaust gases, thus increasing engine braking power.

The function can be controlled from a stalk on the steering wheel with two function modes:

- 1- By pressing the brake pedal only.
- 2- By releasing the throttle pedal, independently from brake pedal operation.

This function decreases driver fatigue avoiding the use of the brake pedal to slow the vehicle and reduces brake and brake pads wear.

Engine brake is effective above 1000 rpm of the engine according to curve shown in Figure #4:

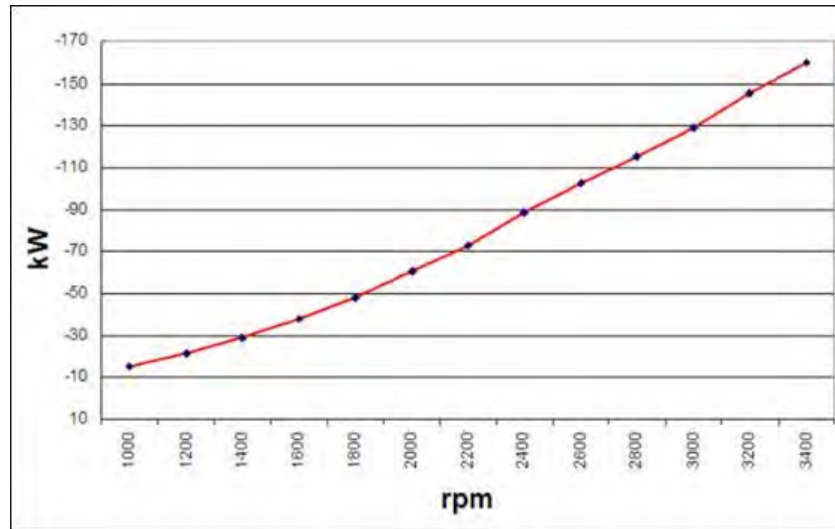


Figure #4

4.3 Gearbox, Transfer Case and Axles

The IVECO EURO CARGO MLL150E28WS has a manual ZF gearbox type ZF 6S 1000 TO: six forward synchronized speeds plus one reverse. No Intarder/Retarder.

The Transfer case of the truck is the IVECO TC 1100 which is installed on chassis, independently from the gearbox. Permanent 4x4 drive with longitudinal differential. Two ratios: on-road (1:0,99) and off-road (1:1,94). Torque distribution: 33% front, 67% rear. Longitudinal differential can be locked for heavy off-road use (scheme in Figure #5)

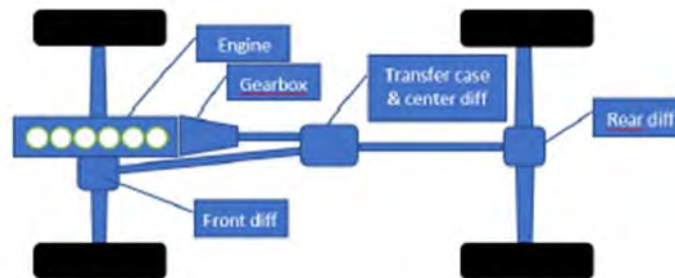


Figure #5

The Axles parameters are:

Front axle: Iveco 5956. Rigid, hub reduction. Axle ratio: 5,326. Differential lock.

Rear axle: Iveco 451146/1. Hub reduction. Axle ratio: 5,326. Differential lock.

4.4 Suspensions, Brakes, Wheels and Tires

SUSPENSIONS:

Front: reinforced parabolic leaves springs with single flexibility, integrated with two elastic plugs and double-action telescopic hydraulic shock-absorbers.

Rear: Parabolic leaves springs with single flexibility.

Anti-roll bar on the front and rear axles.

BRAKES:

Two independent pneumatic circuits.

A.B.S. and E.B.L. systems.

Front and rear axle drum brakes.

Diameter: 381 mm

Width: 178 mm

Service and emergency: pneumatic on all wheels.

Parking: mechanical type with spring and pneumatic control on rear axles.

Engine brake IVECO FPT on exhaust system.

WHEELS AND TIRES:

Front: 14.00 R 20 single mounted

Rear: 14.00 R 20 single mounted

Disc type 20-10.00W, fitted singly on front and rear axle.

One spare wheel 14.00 R 20" mounted on the superstructure.

Runflat VFI system on all wheels. The vehicle in full load configuration, having one or two tyre penetrated, can cover a course of a total distance without the tyre dismounting from the wheel or starting to catch fire and with no serious effect on steering, manoeuvrability, stability, braking and maintenance of speed under the following conditions:

- 50 km on road (3 km @ max speed; 10 km @50 km/h constant speed; 37 km @25 km/h)
- travel off road for 2 hours at a speed of approximately 20 km/h without the tyre leaving the wheel rim or starting to catch fire.

4.5 Chassis and Frame

Made of high-strength steel with "C"-shaped side members connected by bolted and riveted cross members.

The following are the data for the side members (spars):

Side members thickness (mm) 6

Side members max height (mm) 252

Side members flange width (mm) 70

4.6 Towing Hook and Winch

All the IVECO EUROCARGO MLL150E28WS are equipped with Automatic drawbar coupling Ringfeder type K4D suitable for connection with drawbar eyes 76mm. No winch will be installed on the model selected by MNE-MoD.

4.7 Electric and Fuel System

ELECTRIC SYSTEM:

Tension: 24 V

Batteries: 2x 12V, 143 Ah

Alternator: 28 V – 90 A

Starter: 24 V – 4 kW

Mechanical batteries main switch.

NATO slave starter socket

Blackout lighting system (front, rear and convoy lights)

FUEL SYSTEM:

200-liter nominal capacity steel fuel tank with level indicator and filter;

Water separator filter, transparent for ease of inspection.

4.8 Fuel Tank

The 7000 liters fuel tank, specific for Diesel, installed on MLL 150 E 28 WS, wheelbase 3.690 mm, long cabin, has these main items:

- Total capacity: 7.350 liters approx. including 4% expansion volume. Net capacity: 7.000 liters.
- Subdivision in one (1) compartment.
- Box shape cross section to allow the lowest center of gravity.
- Material: stainless steel AISI304.
- Shell, baffles and ends thickness 4 mm.
- Automatic arc welding, M.A.G. system with final X ray test.
- X ray test.
- Inner reinforcement rings made of "T" shaped steel section. Cross full section anti sloshing baffles according to ADR.
- One 500 mm. diameter manhole, with cover complete with 10” quick filling opening, ADR safety valve, pneumatic anti-overfilling prevention device and dip-stick guide.
- Pressure balanced foot valve DN 100 pneumatically operated connected to the anti-overfilling prevention device.
- Gravity discharge pipeline equipped 3” with a single outlet complete with 3” gate or ball valve with dust-cap and chain.
- Rear stainless steel anti-skid ladder for the access to the manhole
- Walkway on top made of spark-proof aluminum grating with manual foldable handrail.
- N. 2 top protections according to ADR standard.
- N°2 external hose carriers with small hatches 150 mm dia. 2,2 m long approx.

- N°2 flexible hoses with 3” quick couplings 2 m long approx.
- Regulation system for electrostatic charges with copper earthing intake on each side.
- Copper link between tank and chassis for electric continuity.
- Dip stick with scale and calibration chart.

It will have a specially designed torsion free carbon steel structure consisting of: mild steel supporting saddles welded to the tank and bolted on a “C” profile by means of flexible connections for tank oscillation.

The pumping and metering system will be located on the front of the chassis protected with a cabinet with illumination for night operations and it will be set for diesel measurement.

It will be equipped with:

- Power take-off (supplied by IVECO type ZF NH/4C for pump application) fixed to the gear box of the vehicle operated by a switch in the cab complete with the relative indicator.
- Complete hydraulic drive.
- Positive-displacement pump SAMPI 2,5” with ATEX certification.
- Filter.
- Volume meter SAMPI complete with air eliminator, filter, mechanical head-counter.
- Ball or gate valves for back flow operation.
- Hose reel complete with automatic rewinding.
- Flexible hose \varnothing 25 mm L = 10 m.
- Dispensing nozzle.
- Operation instruction plate.
- Control panel with hydraulic pressure gauge.
- Pump engaging control.

The executable operations will be:

- Top loading.
- Tank unloading by gravity.
- Bottom loading with overfilling prevention device.
- Tank unloading with pump and meter at 500 L/min.
- Tank unloading with pump, meter and hose reel at 100-120 L/min.
- Loading with pump from external sources.
- Auto-filling.
- Transfer.

Figure #6 shows an indicative drawing of the configuration of vehicle MLL150E28WS in Diesel tanker configuration.

Only for reference, not binding

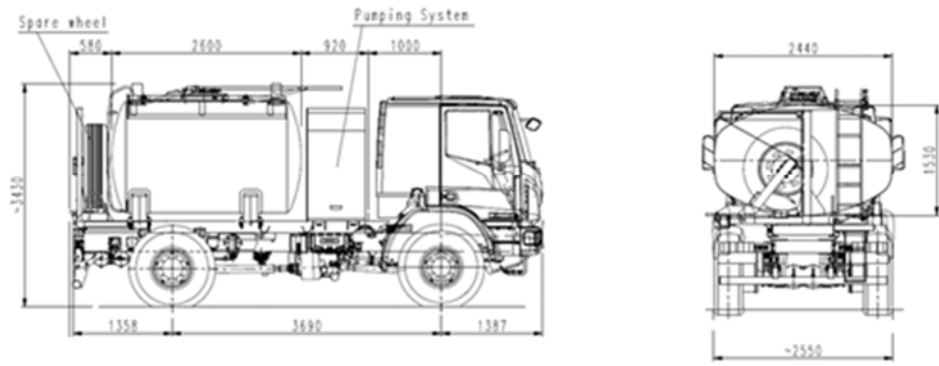


Figure #6

5. IVECO MODEL M170.33WM (SM 44.31 4x4) DIESEL TANK 6000 L

The configuration of the IVECO M170.33WM (SM 44.31 4x4) Vehicles for MNE-MoD is described in the following paragraphs. The IVECO M170.33WM is a high mobility all-terrain chassis with single wheeled front axle, single wheeled rear axle and permanent all-wheel drive.

The integration of all equipment and systems (including provisions) which are part of MNE-MoD Military Logistic Vehicles will be qualified according to IVECO Defence Vehicles qualification Process.

5.1 Dimension and Masses

The IVECO M170.33WM (SM 44.31 4x4) dimensions and masses that will be provided to MNE MoD are indicated below:

DIMENSIONS

Wheelbase:	4200 mm
Front overhang:	1375 mm
Rear overhang:	1800 mm
Chassis width:	2550 mm max
Approach angle:	42°
Departure angle:	30° (with rear underride bar folded up, off-road position)
Ground clearance:	420 mm
Turning Ø between walls:	18,0 m (9,0 m turning radius)
Tolerance on a/m values	± 5%

MASSES

Legal GVW:	18000 kg
Maximum permissible axle loads	
Front axle:	9000 kg
Rear axle:	10000 kg
Vehicle Weights Estimation:	
Chassis total kerb weight:	9300 kg (including crew and fuel)
Tolerance on a/m values	± 5%

5.2 Engine and Performance

The IVECO M170.33WM is equipped with a turbocharged, intercooler 4-stroke diesel direct injection system water cooling IVECO F2B Cursor 8 engine. The engine has 330HP, emission level EURO 5.

- Number of cylinders 6 in line
- Total displacement 7.790 cm³
- Stroke 125 mm
- Bore 115 mm
- Maximum Power 245kW (330 HP) @ 2400 rpm
- Maximum Torque 1300 Nm @ 1685 rpm

The maximum speed of the IVECO M170.33WM is electronically limited. Below are reported the performances of the model for MNE-MoD

Max speed on flat paved surface: 85 km/h with electronic speed limiter

Gradient capability:	60% (30°)
Side slope capability:	30% (17°)
Fording capability:	1200 mm
Engine specific power:	13,6 kW/t (referred to the legal 4x4 GVW)
Fuel maximum range:	800 km (according to CUNA NC003-01 at 55 km/h speed on flat paved road)
Operating temperature range:	-32°C +49°C

5.3 Gearbox, Transfer Case and Axles

Automatic gearbox with torque converter, Allison 3500SP, 6 forward speeds + 1 reverse, Integrated retarder.

IVECO transfer case with two transmission ratios (normal and reduced). The reducer-splitter group consists of a series of constant mesh cylindrical helical gears. Lockable by pneumatic control from inside the cabin.

The Axles parameters are:

Front axle: IVECO-FPT load bearing driven axle, steerable, with double reduction, central by bevel gear, in wheel hubs by planetary gear. Lockable differential between wheels.

Rear axle: IVECO-FPT load bearing driven axle, with double reduction, central by bevel gear, in wheel hubs by planetary gear. Lockable differential between wheels.

5.4 Suspensions, Brakes, Wheels and Tires

SUSPENSIONS:

Front: parabolic leaf springs, with rubber bumpers and double-action telescopic hydraulic shock-absorbers. Anti-roll bar fitted.

Rear: parabolic leaf springs, with double-action telescopic hydraulic shock-absorbers. Anti-roll bar fitted.

BRAKES:

Service brake: Disk brakes at front and rear, with hydraulic calipers and pneumo-hydraulic converters. Three independent sections air brakes.

A.B.S. with 4 channels electronic control unit and E.B.L. systems.

Parking and emergency brake: pneumatically actuated on the rear wheels by means of spring cylinders.

Auxiliary parking brake: pneumatically actuated on the front wheels. It can be engaged only after engaging the parking brake. It allows prolonged standing on slopes up to 60%.

Pneumatic system: the system is fed by a compressor that supplies the necessary quantity of compressed air to the system via an APU distributor-drier. The air is stored in suitable tanks and drawn off as required by the vehicle braking system and utilities.

WHEELS AND TIRES:

Front: 14.00 R 20 tubeless with off-road pattern

Rear: 14.00 R 20 tubeless with off-road pattern

Rims: steel rims 10.00-20 front and rear.

Spare wheel 14.00 R20 mounted on the vehicle.

Runflat VFI system on all wheels. The vehicle in full load configuration, having one or two tyre penetrated, can cover a course of a total distance without the tyre dismounting from the wheel or starting to catch fire and with no serious effect on steering, manoeuvrability, stability, braking and maintenance of speed under the following conditions:

- 50 km on road (3 km @ max speed; 10 km @50 km/h constant speed; 37 km @25 km/h)
- travel off road for 2 hours at a speed of approximately 20 km/h without the tyre leaving the wheel rim or starting to catch fire.

The IVECO M170.33WM for MNE-MoD will be equipped with Central Tyre Inflation System - CTIS with internal air ducts. It allows the driver to adapt the tyres pressure (also when the vehicle is moving) in order to have the optimum footprint on any terrain condition. The system also allows to have different pressures between front and rear wheels. The system is charged with compressed air to adjust tyre pressure gradually and it is completely controlled from inside the cabin by means of a control panel.

5.5 Chassis and Frame

The frame consists of longitudinal main beams made of special forged steel with “C” section, connected by riveted or screwed cross members. Front steel bumper.

The following are the data for the side members (spars):

Side members thickness	(mm) 8
Side members max height	(mm) 300
Side members flange width	(mm) 75

5.6 Towing Hook and Winch

All the IVECO M170.33WM are equipped with following hooks, according to STANAG 4101 Ed. 2:

Front pin (only for maneuvering, not suitable for towing purposes).

Two front towing eyes (shackles).

Rear towing hook, fitted with automatic lock, UN966 series

Two rear towing eyes (shackles).

No winch will be installed on the model selected by MNE-MoD.

5.7 Electric and Fuel System

ELECTRIC SYSTEM:

Nominal voltage: 24 V

Batteries: 4x 12V, 110 Ah (total 220 Ah)

Alternator: 28 V – 150 A

Starter: 24 V – 4,5 kW

Main current relay and external socket for emergency start-up and to charge on-board accumulators (according to STANAG 4074 Ed. 3) (including starting cables set)

7 pole joint (ISO 7638) for trailer ABS

12 pole joint (STANAG 4007 Ed. 2) for trailer lighting

EMC complying with MIL-STD-461C specification.

Normal and Blackout lighting equipment as follows:

Standard front headlights (low beam-main beam position), front blackout headlight and front blackout position lights (STANAG 4381 Ed. 1 or equivalent)

Front turn and side direction indicators

Front headlight protection grids

Rear and braking lights, turn indicators (rear and braking lights with blackout system)

Number plate light

Rear reflectors

Rear fog light and rear reversing light

Front, rear and side marker lights.

FUEL SYSTEM:

400 liters capacity steel fuel tank, mounted on the side, with level indicator and reserve.

5.8 Fuel Tank

The 6000 liters fuel tank, specific for Diesel has these main items:

- Net capacity: 6.000 liters.
- Subdivision in one (1) compartment.
- Box shape cross section to allow the lowest center of gravity.
- Material: stainless steel AISI304.
- Shell, baffles and ends thickness 4 mm.
- Automatic arc welding, M.A.G. system with final X ray test.
- X ray test.
- Inner reinforcement rings made of "T" shaped steel section. Cross full section anti sloshing baffles according to ADR.
- One 500 mm. diameter manhole, with cover complete with 10" quick filling opening, ADR safety valve, pneumatic anti-overfilling prevention device and dip-stick guide.
- Pressure balanced foot valve DN 100 pneumatically operated connected to the anti-overfilling prevention device.

- Gravity discharge pipeline equipped 3" with a single outlet complete with 3" gate or ball valve with dust-cap and chain.
- Rear stainless steel anti-skid ladder for the access to the manhole
- Walkway on top made of spark-proof aluminum grating with manual foldable handrail.
- N. 2 top protections according to ADR standard.
- N°2 external hose carriers with small hatches 150 mm dia. 2,2 m long approx.
- N°2 flexible hoses with 3" quick couplings 2 m long approx.
- Regulation system for electrostatic charges with copper earthing intake on each side.
- Copper link between tank and chassis for electric continuity.
- Dip stick with scale and calibration chart.

It will have a specially designed torsion free carbon steel structure consisting of: mild steel supporting saddles welded to the tank and bolted on a "C" profile by means of flexible connections for tank oscillation.

The pumping and metering system will be located on the front of the chassis protected with a cabinet with illumination for night operations and it will be set for diesel measurement.

It will be equipped with:

- Power take-off (supplied by IVECO type ZF NH/4C for pump application) fixed to the gear box of the vehicle operated by a switch in the cab complete with the relative indicator.
- Complete hydraulic drive.
- Positive-displacement pump SAMPI 2,5" with ATEX certification.
- Filter.
- Volume meter SAMPI complete with air eliminator, filter, mechanical head-counter.
- Ball or gate valves for back flow operation.
- Hose reel complete with automatic rewinding.
- Flexible hose \varnothing 25 mm L = 10 m.
- Dispensing nozzle.
- Operation instruction plate.
- Control panel with hydraulic pressure gauge.
- Pump engaging control.

The executable operations will be:

- Top loading.
- Tank unloading by gravity.
- Bottom loading with overfilling prevention device.
- Tank unloading with pump and meter at 500 L/min.
- Tank unloading with pump, meter and hose reel at 100-120 L/min.
- Loading with pump from external sources.
- Auto-filling.
- Transfer.

6. IVECO EUROCARGO MLL150E28WS AVIATION REFUELER TANK 7000 L (JET FUEL) ADR FL CONFIGURATION

The configuration of the IVECO EUROCARGO MLL150E28WS Vehicle in the Aviation refueler tank configuration for MNE-MoD is described in the following paragraphs. The IVECO EUROCARGO MLL150E28WS is a 4x4 permanent drive vehicle, left-hand drive, long cab, front engine, advanced driving cab, manual gearbox, ADR FL equipment, single wheeled front steering axle, single wheeled rear axle, suitable for heavy duty on-road and off-road operation.

The integration of all equipment and systems (including provisions) which are part of MNE-MoD Military Logistic Vehicles will be qualified according to IVECO Defence Vehicles qualification Process.

6.1 Dimension and Masses

The IVECO EUROCARGO MLL150E28WS AVIO REFUELER dimensions and masses that will be provided to MNE MoD are reported respectively in Figure #1 and #2:

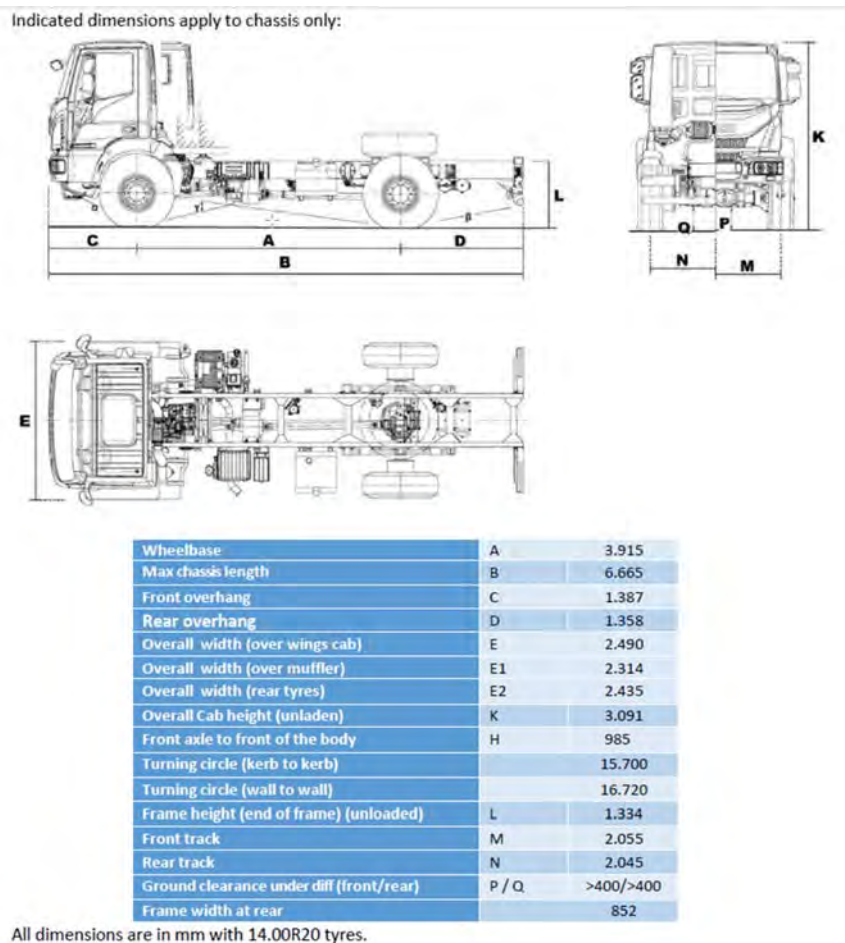


Figure #1

Weights are referred to standard configuration and include: chassis cab, driver (75 kg), full fuel tank (180 l), tool kit and spare wheel. Values in kg.

Total vehicle kerb weight	5975
Kerbweight on Front Axle	3970
Kerbweight on Rear Axle	2005
G.V.W. (EC)	15000
Plated weight on front axle (EC)	5700
Plated weight on rear axle(s) (EC)	10000
Max body & payload (Design)	9025

Figure #2

6.2 Engine and Performance

The IVECO EUROCARGO MLL150E28WS is equipped with a Common-rail direct injection, turbocharged, intercooler and water cooled Tector 6 engine. The engine has 275HP with the emission level declared at EURO 3 level.

- Number of cylinders 6 in line
- Total displacement 5.880 cm³
- Stroke 102 mm
- Bore 120 mm
- Maximum Power 202 kW (275HP) @ 2500 rpm
- Maximum Torque 930 Nm @ 1250 rpm

The maximum speed of the IVECO EUROCARGO MLL150E28WS is electronically limited. In Figure #3 are reported the performances of the model for MNE-MoD

Maximum speed at GVW on flat surface (km/h with electronic speed limiter)	90
Maximum climbable (front) gradient	31° (60%)
Maximum side slope (without superstructure)	26° (58%)
Approach angle	31°
Departure angle	16°
Max fording depth [mm]	750
Cruising range at GVW (on paved road, on flat surface at 67 km/h) [km]	> 800
Temperature range:	-20°C / +49°C

Figure #3

IVECO turbo brake engine brake.

Tector engines installed on Eurocargo are equipped with a butterfly valve in the exhaust manifold to improve standard engine brake performance. Said valve increases the backpressure of the exhaust gases, thus increasing engine braking power.

The function can be controlled from a stalk on the steering wheel with two function modes:

- 1- By pressing the brake pedal only.
- 2- By releasing the throttle pedal, independently from brake pedal operation.

This function decreases driver fatigue avoiding the use of the brake pedal to slow the vehicle and reduces brake and brake pads wear.

Engine brake is effective above 1000 rpm of the engine according to curve shown in Figure #4:

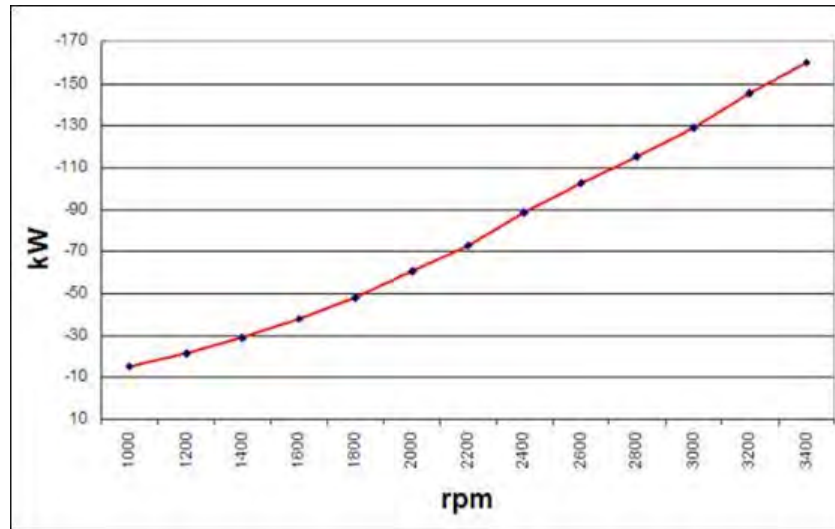


Figure #4

6.3 Gearbox, Transfer Case and Axles

The IVECO EURO CARGO MLL150E28WS has a manual ZF gearbox type ZF 6S 1000 TO: six forward synchronized speeds plus one reverse. No Intarder/Retarder.

The Transfer case of the truck is the IVECO TC 1100 which is installed on chassis, independently from the gearbox. Permanent 4x4 drive with longitudinal differential. Two ratios: on-road (1:0,99) and off-road (1:1,94). Torque distribution: 33% front, 67% rear. Longitudinal differential can be locked for heavy off-road use (scheme in Figure #5)

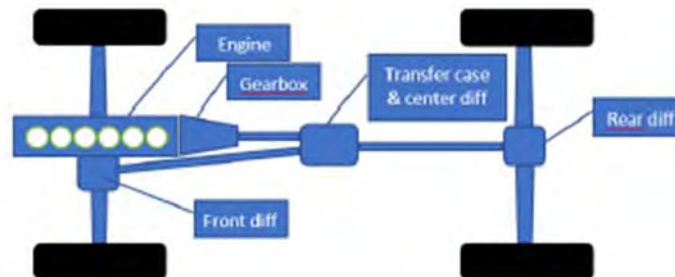


Figure #5

The Axles parameters are:

Front axle: Iveco 5956. Rigid, hub reduction. Axle ratio: 5,326. Differential lock.

Rear axle: Iveco 451146/1. Hub reduction. Axle ratio: 5,326. Differential lock.

6.4 Suspensions, Brakes, Wheels and Tires

SUSPENSIONS:

Front: reinforced parabolic leaves springs with single flexibility, integrated with two elastic plunges and double-action telescopic hydraulic shock-absorbers.

Rear: Parabolic leaves springs with single flexibility.

Anti-roll bar on the front and rear axles.

BRAKES:

Two independent pneumatic circuits.

A.B.S. and E.B.L. systems.

Front and rear axle drum brakes.

Diameter: 381 mm

Width: 178 mm

Service and emergency: pneumatic on all wheels.

Parking: mechanical type with spring and pneumatic control on rear axles.

Engine brake IVECO FPT on exhaust system.

WHEELS AND TIRES:

Front: 14.00 R 20 single mounted

Rear: 14.00 R 20 single mounted

Disc type 20-10.00W, fitted singly on front and rear axle.

One spare wheel 14.00 R 20" mounted on the superstructure.

Runflat VFI system on all wheels. The vehicle in full load configuration, having one or two tyre penetrated, can cover a course of a total distance without the tyre dismounting from the wheel or starting to catch fire and with no serious effect on steering, manoeuvrability, stability, braking and maintenance of speed under the following conditions:

- 50 km on road (3 km @ max speed; 10 km @50 km/h constant speed; 37 km @25 km/h)
- travel off road for 2 hours at a speed of approximately 20 km/h without the tyre leaving the wheel rim or starting to catch fire.

6.5 Chassis and Frame

Made of high-strength steel with "C"-shaped side members connected by bolted and riveted cross members.

The following are the data for the side members (spars):

Side members thickness	(mm) 6
Side members max height	(mm) 252
Side members flange width	(mm) 70

6.6 Towing Hook and Winch

All the IVECO EUROARGO MLL150E28WS are equipped with Automatic drawbar coupling Ringfeder type K4D suitable for connection with drawbar eyes 76mm. No winch will be installed on the model selected by MNE-MoD.

6.7 Electric and Fuel System

ELECTRIC SYSTEM:

Tension: 24 V

Batteries: 2x 12V, 143 Ah

Alternator: 28 V – 90 A

Starter: 24 V – 4 kW

Mechanical batteries main switch.

NATO slave starter socket

Blackout lighting system (front, rear and convoy lights)

FUEL SYSTEM:

200-liter nominal capacity steel fuel tank with level indicator and filter;

Water separator filter, transparent for ease of inspection.

6.8 Fuel Tank

The 7000 liters aviation refueler tank, specific for Jet Fuel, installed on MLL 150 E 28 WS, wheelbase 3.915 mm, long cabin, has these main items:

- The aviation refueler (7.000 liters capacity) is designed to refuel helicopters with aviation fuel from its own tank. The vehicle is connected to the helicopter via n° 1 hose reel.
- The max delivery flow rate shall be 250 L/min approx via the over-wing nozzle.
- The refueler will operate on airport ground at 30 km/h or on/off the road according to weight and dimension restrictions of the local country.

It will be supplied in mild steel supporting saddles welded to the tank and bolted on a “C” profile by means of flexible connections for tank oscillation.

The tank body will have:

- A total capacity of 7.300 liters approx. including additional 4% expansion vapor (7.000 Lt. net capacity).
- The tank shall be single compartment and designed with internal baffles to reduce product surges.

- Material: stainless steel AISI304. The superstructure of the vehicle tanker should comply with all standards for international airports, according to IATA and EN 12312-5.
- The thickness of the tank body and baffles will be 3 mm minimum conforming to ADR.

The pumping system will have a self-priming volumetric pump with Atex approval, suitable for aviation fuel, flow rate not less than 250 L/min, driven by the engine of the truck through a hydraulic transmission controlled from the cab of the driver. There will be an easy dismountable filter and flexible connections to suction and discharge lines.

It shall have one bulk meter not less than 250 L/min to assure the quantity of liquid passing through with the followings:

- Mechanical head counter
- Five digits partial delivery resettable
- Flow rate indicator in Liters.

The pressure fuel couplings shall be:

- 1,5 Inches over wing nozzle with dust cap and bonding cable will be installed at the end of the refueling hose with dry-break.
- 2,5” Pressure Fueling Nozzle will be installed at the end of the refueling hose.

It will be equipped also with the followings:

- Protective cover attached to the nozzle with chain or wire rope.
- Vacuum breaker.
- Regulator with pressure regulating spring for (45) PSI overpressure (HEPVC).
- Millipore testing.
- Dry break.

The followings lights must also be installed:

- Orange beacon light on the top of the cabin with operating switch inside driver cabin.
- N. 1 airfield working light.
- N. 1 instrument panel light.
- N. 1 interlock flashlight.
- N. 4 airport lights.

The followings safety devices will be provided:

- Interlock System: an electro/pneumatic system will be installed to prevent the vehicle from moving when the minimum cabinet doors are open, the hose is not stowed, the handrail is raised up or the PTO is engaged. The interlock system will act on parking brake and there will be a monitor in the cabin with interlock indicators.
- Bonding reel: N.1 hand operated bonding reel carrying 20 m of cable complete with crocodile clips.
- Bonding links: Copper bonding links will be mounted on all pipes flange joints.
- Earthing strip: Earthing between tank-truck & ground will be affected by drag rubber.

Figure #6 shows an indicative drawing of vehicle MLL150E28WS in AVIO REFUELER 7000 L JET FUEL configuration.

Only for reference, not binding.

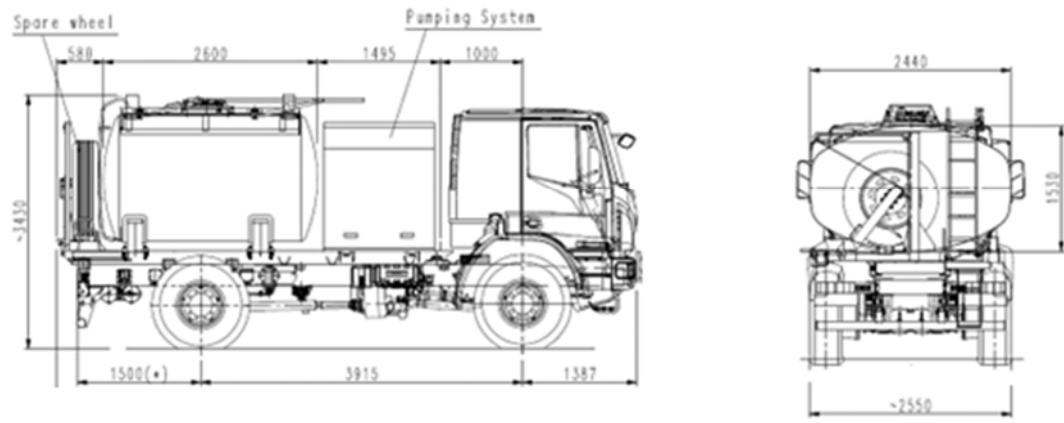


Figure #6

7. IVECO EUROCARGO MLL150E28WS WATER TANK 7000 L CONFIGURATION

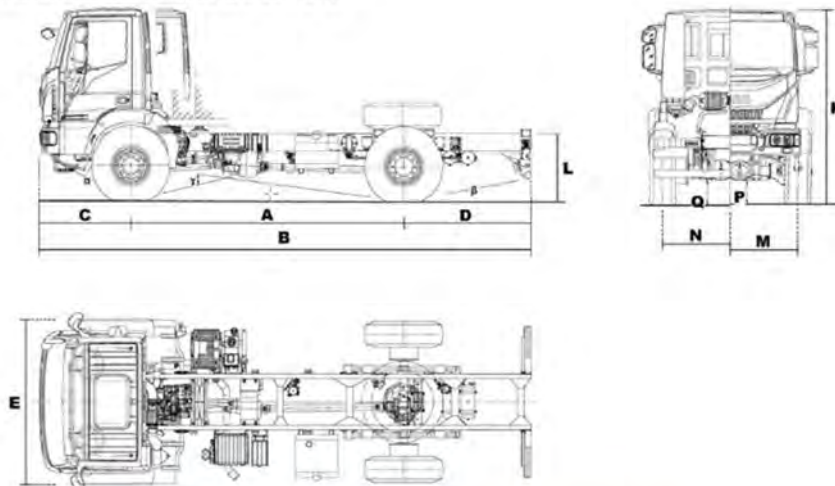
The configuration of the IVECO EUROCARGO MLL150E28WS Vehicle in the Water Tank configuration for MNE-MoD is described in the following paragraphs. The IVECO EUROCARGO MLL150E28WS is a 4x4 permanent drive vehicle, left-hand drive, long cab, front engine, advanced driving cab, manual gearbox, single wheeled front steering axle, single wheeled rear axle, suitable for heavy duty on-road and off-road operation.

The integration of all equipment and systems (including provisions) which are part of MNE-MoD Military Logistic Vehicles will be qualified according to IVECO Defence Vehicles qualification Process.

7.1 Dimension and Masses

The IVECO EUROCARGO MLL150E28WS dimensions and masses that will be provided to MNE MoD are reported respectively in Figure #1 and #2:

Indicated dimensions apply to chassis only:



Wheelbase	A	3.690
Max chassis length	B	6.440
Front overhang	C	1.387
Rear overhang	D	1.358
Overall width (over wings cab)	E	2.490
Overall width (over muffler)	E1	2.314
Overall width (rear tyres)	E2	2.435
Overall Cab height (unladen)	K	3.091
Front axle to front of the body	H	985
Turning circle (kerb to kerb)		15.960
Turning circle (wall to wall)		14.900
Frame height (end of frame) (unloaded)	L	1.334
Front track	M	2.055
Rear track	N	2.045
Ground clearance under diff (front/rear)	P / Q	>400/>400
Frame width at rear		852

All dimensions are in mm with 14.00R20 tyres.

Figure #1

Weights are referred to standard configuration and include: chassis cab, driver (75 kg), full fuel tank (200 l), tool kit and spare wheel. Values in kg.

Total vehicle kerb weight	5925
Kerbweight on Front Axle	3965
Kerbweight on Rear Axle	1960
G.V.W. (EC)	15000
Plated weight on front axle (EC)	5700
Plated weight on rear axle(s) (EC)	10000
Max body & payload (Design)	9075

Figure #2

7.2 Engine and Performance

The IVECO EUROCARGO MLL150E28WS is equipped with a Common-rail direct injection, turbocharged, intercooler and water cooled Tector 6 engine. The engine has 275HP with the emission level declared at EURO 3 level.

- Number of cylinders 6 in line
- Total displacement 5.880 cm³
- Stroke 102 mm
- Bore 120 mm
- Maximum Power 202 kW (275HP) @ 2500 rpm
- Maximum Torque 930 Nm @ 1250 rpm

The maximum speed of the IVECO EUROCARGO MLL150E28WS is electronically limited. In Figure #3 are reported the performances of the model for MNE-MoD

Maximum speed at GVW on flat surface (km/h with electronic speed limiter)	90
Maximum climbable (front) gradient	31° (60%)
Maximum side slope (without superstructure)	26° (58%)
Approach angle	31°
Departure angle	16°
Max fording depth [mm]	750
Cruising range at GVW (on paved road, on flat surface at 67 km/h) [km]	> 800
Temperature range:	-20°C / +49°C

Figure #3

IVECO turbo brake engine brake.

Tector engines installed on Eurocargo are equipped with a butterfly valve in the exhaust manifold to improve standard engine brake performance. Said valve increases the backpressure of the exhaust gases, thus increasing engine braking power.

The function can be controlled from a stalk on the steering wheel with two function modes:

- 1- By pressing the brake pedal only.
- 2- By releasing the throttle pedal, independently from brake pedal operation.

This function decreases driver fatigue avoiding the use of the brake pedal to slow the vehicle and reduces brake and brake pads wear.

Engine brake is effective above 1000 rpm of the engine according to curve shown in Figure #4:

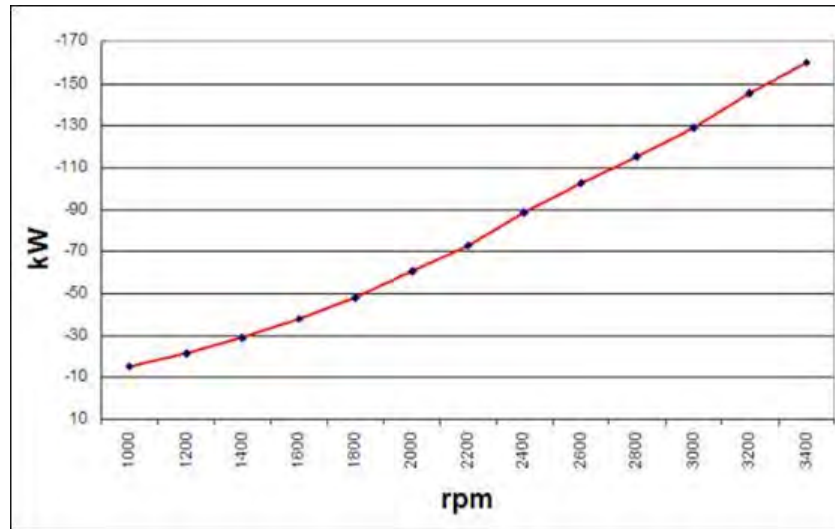


Figure #4

7.3 Gearbox, Transfer Case and Axles

The IVECO EURO CARGO MLL150E28WS has a manual ZF gearbox type ZF 6S 1000 TO: six forward synchronized speeds plus one reverse. No Intarder/Retarder.

The Transfer case of the truck is the IVECO TC 1100 which is installed on chassis, independently from the gearbox. Permanent 4x4 drive with longitudinal differential. Two ratios: on-road (1:0,99) and off-road (1:1,94). Torque distribution: 33% front, 67% rear. Longitudinal differential can be locked for heavy off-road use (scheme in Figure #5)

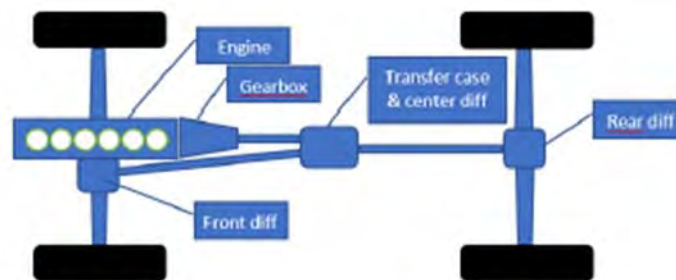


Figure #5

The Axles parameters are:

Front axle: Iveco 5956. Rigid, hub reduction. Axle ratio: 5,326. Differential lock.

Rear axle: Iveco 451146/1. Hub reduction. Axle ratio: 5,326. Differential lock.

7.4 Suspensions, Brakes, Wheels and Tires

SUSPENSIONS:

Front: reinforced parabolic leaves springs with single flexibility, integrated with two elastic plugs and double-action telescopic hydraulic shock-absorbers.

Rear: Parabolic leaves springs with single flexibility.

Anti-roll bar on the front and rear axles.

BRAKES:

Two independent pneumatic circuits.

A.B.S. and E.B.L. systems.

Front and rear axle drum brakes.

Diameter: 381 mm

Width: 178 mm

Service and emergency: pneumatic on all wheels.

Parking: mechanical type with spring and pneumatic control on rear axles.

Engine brake IVECO FPT on exhaust system.

WHEELS AND TIRES:

Front: 14.00 R 20 single mounted

Rear: 14.00 R 20 single mounted

Disc type 20-10.00W, fitted singly on front and rear axle.

One spare wheel 14.00 R 20” mounted on the superstructure.

Runflat VFI system on all wheels. The vehicle in full load configuration, having one or two tyre penetrated, can cover a course of a total distance without the tyre dismounting from the wheel or starting to catch fire and with no serious effect on steering, manoeuvrability, stability, braking and maintenance of speed under the following conditions:

- 50 km on road (3 km @ max speed; 10 km @50 km/h constant speed; 37 km @25 km/h)
- travel off road for 2 hours at a speed of approximately 20 km/h without the tyre leaving the wheel rim or starting to catch fire.

7.5 Chassis and Frame

Made of high-strength steel with “C”-shaped side members connected by bolted and riveted cross members.

The following are the data for the side members (spars):

Side members thickness (mm) 6

Side members max height	(mm) 252
Side members flange width	(mm) 70

7.6 Towing Hook and Winch

All the IVECO EURO CARGO MLL150E28WS are equipped with Automatic drawbar coupling Ringfeder type K4D suitable for connection with drawbar eyes 76mm. No winch will be installed on the model selected by MNE-MoD.

7.7 Electric and Fuel System

ELECTRIC SYSTEM:

Tension: 24 V

Batteries: 2x 12V, 143 Ah

Alternator: 28 V – 90 A

Starter: 24 V – 4 kW

Mechanical batteries main switch.

NATO slave starter socket

Blackout lighting system (front, rear and convoy lights)

FUEL SYSTEM:

200-liter nominal capacity steel fuel tank with level indicator and filter;

Water separator filter, transparent for ease of inspection.

7.8 Water Tank

The chassis cab will be supplied with a water tank of 7.000 liters capacity.

The main items will be:

- Quadrangular cross section.
- Geometric capacity of at least 7.000 liters with a single compartment.
- Material: AISI 304 stainless steel; minimum thickness of plating and bottoms 3 mm.
- Electric arc welding with M.A.G. system.
- Internal reinforcement hoops in "T" profile with full-section transverse breakwater bulkheads.
- Rear manhole with stainless steel opening cover, breather and non-toxic gaskets.
- Right side exhaust pipe with 3" bronze ball valve and cap.
- Float level indicator on the rear of the tank.
- N. 1 upper hook for empty lifting of the tank.
- Engine gearbox power take-off with control in the cab (IVECO supplied type ZF NH4C) – complete with hydraulic transmission.
- Stainless steel self-priming centrifugal pump with flow rate approximately 500 L/min at a corresponding height of approximately 5 meters of water column. Filter. Pressure gauge. Stainless steel pipes and bronze ball valves for phase reversal.

Frame will have a specially designed torsion free carbon steel structure consisting of mild steel supporting saddles welded to the tank and bolted on a “C” profile by means of flexible connections for tank oscillation.

Figure #6 shows an indicative drawing of the configuration of vehicle MLL 150E28WS in Water Tank configuration.

Only for reference, not binding

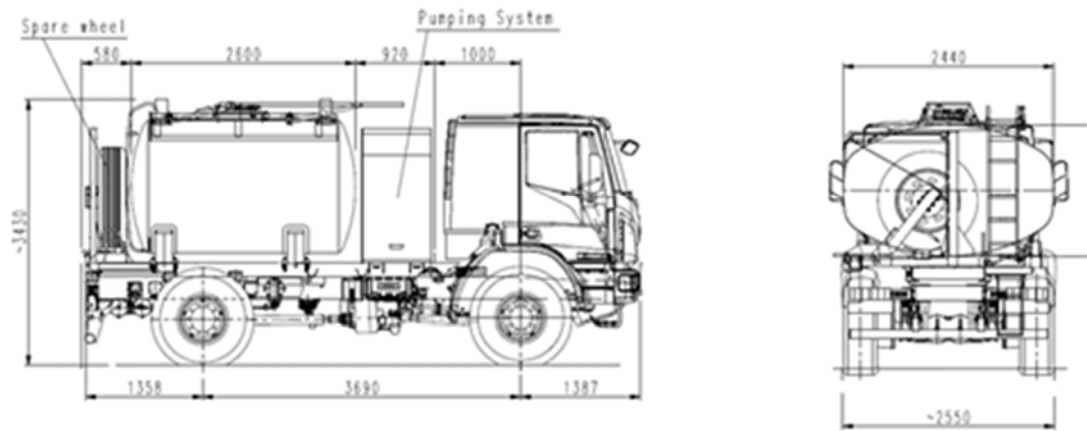


Figure #6

8. IVECO MODEL M170.33WM (SM 44.31 4x4) WATER TANK 5000 L

The configuration of the IVECO M170.33WM (SM 44.31 4x4) Vehicles for MNE-MoD is described in the following paragraphs. The IVECO M170.33WM is a high mobility all-terrain chassis with single wheeled front axle, single wheeled rear axle and permanent all-wheel drive.

The integration of all equipment and systems (including provisions) which are part of MNE-MoD Military Logistic Vehicles will be qualified according to IVECO Defence Vehicles qualification Process.

8.1 Dimension and Masses

The IVECO M170.33WM (SM 44.31 4x4) dimensions and masses that will be provided to MNE MoD are indicated below:

DIMENSIONS

Wheelbase:	4200 mm
Front overhang:	1375 mm
Rear overhang:	1800 mm
Chassis width:	2550 mm max
Approach angle:	42°
Departure angle:	30° (with rear underride bar folded up, off-road position)
Ground clearance:	420 mm
Turning Ø between walls:	18,0 m (9,0 m turning radius)
Tolerance on a/m values	± 5%

MASSES

Legal GVW:	18000 kg
Maximum permissible axle loads	
Front axle:	9000 kg
Rear axle:	10000 kg
Vehicle Weights Estimation:	
Chassis total kerb weight:	9300 kg (including crew and fuel)
Tolerance on a/m values	± 5%

8.2 Engine and Performance

The IVECO M170.33WM is equipped with a turbocharged, intercooler 4-stroke diesel direct injection system water cooling IVECO F2B Cursor 8 engine. The engine has 330HP, emission level EURO 5.

- Number of cylinders 6 in line
- Total displacement 7.790 cm³
- Stroke 125 mm
- Bore 115 mm
- Maximum Power 245kW (330 HP) @ 2400 rpm
- Maximum Torque 1300 Nm @ 1685 rpm

The maximum speed of the IVECO M170.33WM is electronically limited. Below are reported the performances of the model for MNE-MoD

Max speed on flat paved surface: 85 km/h with electronic speed limiter

Gradient capability:	60% (30°)
Side slope capability:	30% (17°)
Fording capability:	1200 mm
Engine specific power:	13,6 kW/t (referred to the legal 4x4 GVW)
Fuel maximum range:	800 km (according to CUNA NC003-01 at 55 km/h speed on flat paved road)
Operating temperature range:	-32°C +49°C

8.3 Gearbox, Transfer Case and Axles

Automatic gearbox with torque converter, Allison 3500SP, 6 forward speeds + 1 reverse, Integrated retarder.

IVECO transfer case with two transmission ratios (normal and reduced). The reducer-splitter group consists of a series of constant mesh cylindrical helical gears. Lockable by pneumatic control from inside the cabin.

The Axles parameters are:

Front axle: IVECO-FPT load bearing driven axle, steerable, with double reduction, central by bevel gear, in wheel hubs by planetary gear. Lockable differential between wheels.

Rear axle: IVECO-FPT load bearing driven axle, with double reduction, central by bevel gear, in wheel hubs by planetary gear. Lockable differential between wheels.

8.4 Suspensions, Brakes, Wheels and Tires

SUSPENSIONS:

Front: parabolic leaf springs, with rubber bumpers and double-action telescopic hydraulic shock-absorbers. Anti-roll bar fitted.

Rear: parabolic leaf springs, with double-action telescopic hydraulic shock-absorbers. Anti-roll bar fitted.

BRAKES:

Service brake: Disk brakes at front and rear, with hydraulic calipers and pneumo-hydraulic converters. Three independent sections air brakes.

A.B.S. with 4 channels electronic control unit and E.B.L. systems.

Parking and emergency brake: pneumatically actuated on the rear wheels by means of spring cylinders.

Auxiliary parking brake: pneumatically actuated on the front wheels. It can be engaged only after engaging the parking brake. It allows prolonged standing on slopes up to 60%.

Pneumatic system: the system is fed by a compressor that supplies the necessary quantity of compressed air to the system via an APU distributor-drier. The air is stored in suitable tanks and drawn off as required by the vehicle braking system and utilities.

WHEELS AND TIRES:

Front: 14.00 R 20 tubeless with off-road pattern

Rear: 14.00 R 20 tubeless with off-road pattern

Rims: steel rims 10.00-20 front and rear.

Spare wheel 14.00 R20 mounted on the vehicle.

Runflat VFI system on all wheels. The vehicle in full load configuration, having one or two tyre penetrated, can cover a course of a total distance without the tyre dismounting from the wheel or starting to catch fire and with no serious effect on steering, manoeuvrability, stability, braking and maintenance of speed under the following conditions:

- 50 km on road (3 km @ max speed; 10 km @50 km/h constant speed; 37 km @25 km/h)
- travel off road for 2 hours at a speed of approximately 20 km/h without the tyre leaving the wheel rim or starting to catch fire.

The IVECO M170.33WM for MNE-MoD will be equipped with Central Tyre Inflation System - CTIS with internal air ducts. It allows the driver to adapt the tyres pressure (also when the vehicle is moving) in order to have the optimum footprint on any terrain condition. The system also allows to have different pressures between front and rear wheels. The system is charged with compressed air to adjust tyre pressure gradually and it is completely controlled from inside the cabin by means of a control panel.

8.5 Chassis and Frame

The frame consists of longitudinal main beams made of special forged steel with “C” section, connected by riveted or screwed cross members. Front steel bumper.

The following are the data for the side members (spars):

Side members thickness	(mm) 8
Side members max height	(mm) 300
Side members flange width	(mm) 75

8.6 Towing Hook and Winch

All the IVECO M170.33WM are equipped with following hooks, according to STANAG 4101 Ed. 2:

Front pin (only for maneuvering, not suitable for towing purposes).

Two front towing eyes (shackles).

Rear towing hook, fitted with automatic lock, UN966 series

Two rear towing eyes (shackles).

No winch will be installed on the model selected by MNE-MoD.

8.7 Electric and Fuel System

ELECTRIC SYSTEM:

Nominal voltage: 24 V

Batteries: 4x 12V, 110 Ah (total 220 Ah)

Alternator: 28 V – 150 A

Starter: 24 V – 4,5 kW

Main current relay and external socket for emergency start-up and to charge on-board accumulators (according to STANAG 4074 Ed. 3) (including starting cables set)

7 pole joint (ISO 7638) for trailer ABS

12 pole joint (STANAG 4007 Ed. 2) for trailer lighting

EMC complying with MIL-STD-461C specification.

Normal and Blackout lighting equipment as follows:

Standard front headlights (low beam-main beam position), front blackout headlight and front blackout position lights (STANAG 4381 Ed. 1 or equivalent)

Front turn and side direction indicators

Front headlight protection grids

Rear and braking lights, turn indicators (rear and braking lights with blackout system)

Number plate light

Rear reflectors

Rear fog light and rear reversing light

Front, rear and side marker lights.

FUEL SYSTEM:

400 liters capacity steel fuel tank, mounted on the side, with level indicator and reserve.

8.8 Water Tank

The chassis cab will be supplied with a water tank of 5.000 liters capacity.

The main items will be:

- Quadrangular cross section.
- Geometric capacity of almost 5.000 liters with a single compartment.
- Material: AISI 304 stainless steel; minimum thickness of plating and bottoms 3 mm.
- Electric arc welding with M.A.G. system.
- Internal reinforcement hoops in "T" profile with full-section transverse breakwater bulkheads.
- Rear manhole with stainless steel opening cover, breather and non-toxic gaskets.
- Right side exhaust pipe with 3" bronze ball valve and cap.
- Float level indicator on the rear of the tank.
- N. 1 upper hook for empty lifting of the tank.
- Engine gearbox power take-off with control in the cab (IVECO supplied type ZF NH4C) – complete with hydraulic transmission.

- Stainless steel self-priming centrifugal pump with flow rate approximately 500 L/min at a corresponding height of approximately 5 meters of water column. Filter. Pressure gauge. Stainless steel pipes and bronze ball valves for phase reversal.

Frame will have a specially designed torsion free carbon steel structure consisting of mild steel supporting saddles welded to the tank and bolted on a “C” profile by means of flexible connections for tank oscillation.

9. RECAP TABLE

Real qty	TYPE	FUNCTION	PROPOSED SOLUTION
28	Troop carrier, max. body & payload 8 to 10 tons (4x4)	Cargo / troop transport	Eurocargo 4x4
14			M170 4x4 (without winch)
14			M170 4x4 (with winch)
6	Troop carrier, max. body & payload minimum 20 tons (6x6)	Cargo / troop transport	M250 6x6 (without winch)
6			M250 6x6 (with winch)
5	Fuel Tanker	Diesel 6.000/7.000 liters	Eurocargo 4x4 7.000 liters
2			M170 4x4 6.000 liters
1	Fuel Tanker	Jet Fuel 7.000 liters	Eurocargo 4x4
8	Water Tanker	5.000/7.000 liters	Eurocargo 4x4 7.000 liters
2			M170 4x4 5.000 liters
TOTAL QUANTITY OF VEHICLES: 86 pcs			
Price of vehicles, spare parts SM+RSPL+diagnostics 1pcs, delivery (DAP) and training:			19.984.175 €

10. OTHER CARACTERISTICS

10.1 COMMON TO ALL THE VEHICLES

All the vehicles for MNE-MoD will be of military type/militarized and painted in “VEM” green color (RAL 6003) as per Italian Army models.

All the vehicles will be equipped with blackout lights.

All the vehicles will be equipped with Runflat system on all wheels.

All the vehicles will be equipped with air conditioning in the cabin.

All the vehicles will be equipped with 4 channels electronic control unit Anti Brake-locking System (A.B.S.) and Electronic Braking Limitation (E.B.L.) systems.

All the versions and configurations of the M170.33WM and M250.40WM models will be equipped with the Central Tyre Inflation System – CTIS.

All the vehicles included in this IA will not have a civilian homologation.

10.2 VEHICLES FOR TROOPS TRANSPORTATION / CARGO

As already specified a number of vehicles M170.33WM and M250.40WM configured for troops transportation / cargo roles will be equipped with appropriate winches.

10.3 TANK VEHICLES

The MLL150E28WS (Diesel and Jet Aviation Tank) and M170.33WM (Diesel Tank) are both certified for the transportation of dangerous goods in accordance with ADR class 3 – UN 1233 and UN 1883.

The superstructure of the aviation refueler vehicle (MLL150E28WS aviation refueler tank version) will comply with all standards for international airports in accordance with the prescriptions included in EN 12312-5 (Aircraft ground support equipment. Specific requirements Aircraft fuelling equipment) and the requirements given by the International Air Transport Association (IATA).

The pumping/refueling system of the aviation refueler vehicle (MLL150E28WS aviation refueler tank version) will enable the refueling of helicopters in an open manner, with a flow rate not less than 250 L/min.

Implementing Arrangement

between

the Ministry of Defence of Montenegro

and

Ministry of Defence of the Italian Republic

**on Cooperation in the Field of
Military Equipment**

**aiming at the acquisition of Military Logistic Vehicles and the
associated Logistic, Maintenance and Training Support
Services**

ANNEX 2

**FINANCIAL MANAGEMENT PROCEDURES,
TERMS AND CONDITIONS**

CONTENTS

1.	PURPOSE
2.	BUDGET
3.	PROCEDURES
4.	MANAGEMENT AND RESPONSIBILITY
5.	REFUNDING
6.	ASSUMPTIONS

1. PURPOSE

WHEREAS, the Implementing Arrangement between the Ministry of Defense of the Italian Republic and the Ministry of Defense of Montenegro on Cooperation in the Field of Military Logistic Vehicles (IA) will imply the acquisition by ITA-MoD for MNE-MoD of:

- Military Logistic Vehicles for Montenegro Armed Forces;
- logistic support, transportation, delivery and maintenance services;
- training services.

WHEREAS, ITA-MoD will appoint its “*Direzione degli Armamenti Terrestri*” (DAT) to negotiate, sign and execute the Commercial Contract stemming from the IA, on behalf of MNE-MoD.

WHEREAS, ITA-MoD will appoint its “*Agenzia Industrie Difesa*” (AID), to operate a dedicated bank account and manage the financial resources that MNE-MoD will make available for the payment of materials and services of the aforementioned Commercial Contract and of its Accessory Administrative Costs.

The present document intends to define the applicable Financial Management Procedures, Terms and Conditions, according to Section 4.2 of the IA.

2. BUDGET

2.1 The final total cost of delivery and performance to be paid by MNE-MoD for the Commercial Contract and for its accessory administrative costs will cover the following:

- Commercial Contract Costs, which will include the costs for materials and services of the Commercial Contract; the total amount will not exceed 20.000.000,00 € (TWENTY MILLION EUROS);
- Accessory Administrative Costs, which will include all the costs referred to: bank account maintenance and payments fees; administrative activities performed by AID for the management of financial resources to perform the IA cooperation activities. The total amount will not exceed 60.000,00 €;
- ITA-MoD Administrative Costs, which will include the costs deriving from the administrative activities performed by ITA-MoD (DAT) for the Commercial Contract negotiation, signature and execution. The total amount will not exceed 80.000,00 €.

3. PROCEDURES

3.1. COMMERCIAL CONTRACT COSTS

3.1.1. According to Section 4.5 of the IA, ITA-MoD will issue Calls for Funds for the costs included deriving from the Commercial Contract, after its signature and till the end of its effectiveness, up to the agreed maximum financial commitment.

3.1.2. ITA-MoD (DAT) will issue 2 (two) Call for Funds, as follows:

- 1st call for funds after the signature of the Commercial Contract; it will not exceed 40% of the Commercial Contract Costs; the transfer of funds from

MNE Government to ITA-MoD designated bank account is expected between 30 to 45 days after the signature of the Commercial contract.

- 2nd call for funds after delivery to MNE-MoD of the first batch of the Commercial Contract; its amount will correspond to remaining part of the Commercial Contract Costs.
- 3.1.3. MNE Government will transfer the funds within the thirtieth day since the receiving of the aforementioned call sent by email to the following address: kabinet@mod.gov.me.
 - 3.1.4. MNE Government will transfer the funds to the bank account, opened and managed by AID in the interest of MNE-MoD and that will be communicated by ITA-MoD with the Call for Funds.
 - 3.1.5. MNE-MoD will promptly transmit to ITA-MoD (DAT) a copy of the receipt of the financial transfer executed for each call for funds.
 - 3.1.6. After receiving confirmation of the availability of funds on the AID bank account, ITA-MoD (DAT) will authorize the Industrial Supplier to start the production of the relevant batch.
 - 3.1.7. ITA-MoD (DAT) will make the payments to the Industrial Supplier, through AID, in accordance with the Commercial Contract.

3.2. ACCESSORY ADMINISTRATIVE COSTS

- 3.2.1. According to Section 4.5 of the IA, ITA-MoD will issue Calls for Funds 2 (two) times a year for the Accessory Administrative Costs.
- 3.2.2. MNE Government will transfer the funds within the thirtieth day since the receiving of the aforementioned call sent by email to the following address: kabinet@mod.gov.me.
- 3.2.3. MNE Government will transfer the funds to the bank account, opened and managed by AID in the interest of MNE-MoD and that will be communicated by ITA-MoD with the Call for Funds.
- 3.2.4. MNE-MoD will promptly transmit to ITA-MoD (DAT) a copy of the receipt of the financial transfer executed for each call for funds.
- 3.2.5. After receiving confirmation of the availability of funds on the AID bank account, ITA-MoD (DAT) will authorize AID to pay the corresponding part of the Accessory Administrative Costs.

3.3. ITA-MOD ADMINISTRATIVE COSTS

ITA-MoD will issue 2 (two) Call for Funds: the first one will be issued before the signature of the Commercial Contract and the second one, indicatively, after the delivery to MNE-MoD of the first batch.

- 3.3.1. ITA-MoD Administrative Costs will be paid by MNE Government within the thirtieth day of receiving the call, directly to the Italian Treasury Bank account as follows:

BANK OF ITALY

IBAN: IT 49W 01000 03245 348 0 16 3580 05

REASON FOR PAYMENT: Reference to ITA-MOD (DAT) call for funds n. ____ dated _____ MNE-MoD and ITA-MoD Cooperation – Military Logistic Vehicles – ITA-MoD Administrative Costs.

- 3.3.2. MNE-MoD will transmit to ITA-MoD (DAT) a copy of the receipt of the payment executed for ITA-MoD Administrative Costs.
- 3.4. ITA-MoD will be responsible for the safekeeping and management of funds related to the IA budget.
- 3.5. MNE-MoD will be entitled to interest accrued, if any, on the balance amount in the bank account, net of any bank fees incurred for purposes of the said account.
- 3.6. In case MNE-MoD fails to deposit its contributions within the prescribed timescales it will bear alone all the consequences of this delay and any additional cost which may result, such as interests for late payment(s) or the potential associated costs faced by the Industrial Supplier.

4. MANAGEMENT AND RESPONSIBILITY

- 4.1. ITA-MoD (DAT) will authorize the invoice payments to the Industrial Supplier if all the following conditions are met:
 - ITA-MoD (DAT) implementation of final quality control, testing and acceptance of vehicles, materials and services delivered according to the IA;
 - availability of the necessary funds amount in the dedicated bank account.
- 4.2. ITA-MoD (AID) will promptly and unconditionally perform the payment of each invoice only after the authorization issued by ITA-MoD (DAT).
- 4.3. Any payments under this IA will be submitted and paid in Euro.
- 4.4. ITA-MoD (DAT) will periodically submit to MNE-MoD, on a quarterly basis, a report on the payment authorizations issued, on the payments performed and on the balance of ITA-MoD (AID) bank account.

5. REFUNDING

- 5.1. According to Section 4.6 of the IA, any credited funds which will be in excess of the final total amount of Acquisition Contract Costs and Accessory Administrative Costs will be refunded to the bank account that MNE-MoD will identify and communicate through following communication.

6. ASSUMPTIONS

- 6.1. MNE-MoD will be liable, and the sole responsible party, to deal with all the formalities necessary to obtain all the licenses, permissions and permits required outside Italy for the execution of its obligations under the Commercial Contract.

Implementing Arrangement

between

the Ministry of Defence of Montenegro

and

the Ministry of Defence of the Italian Republic

on Cooperation in the Field of

Military Equipment

aiming at the acquisition of Military Logistic Vehicles and the

associated Logistic, Maintenance and Training Support

Services

APPENDIX 1 TO ANNEX 1

**LOGISTIC SUPPORT, TRANSPORTATION, DELIVERY
AND MAINTENANCE SERVICES**

LOGISTIC SUPPORT AND MAINTENANCE SERVICES

Additional Warranty

MNE-MoD's decision to purchase the additional and optional 12-month warranty will apply to all vehicles covered by this IA. Therefore, all vehicles that will be produced for MNE-MoD will have a total warranty coverage of 24 months starting from the date of delivery of each individual vehicle.

Special Tool Test Equipment STTE

The trucks considered in this Implementing Arrangement will be accompanied by n°1 Special Tool Test Equipment to perform diagnostics on the chassis cabs delivered by the Commercial Supplier. The STTE is named “EASY Diagnostics tool”. The Easy will be provided inclusive of a 4-years software-update license.

Spare Parts for 3-years Scheduled Maintenance

The following set of spare parts are included in the supply to cover the Scheduled Maintenance for the first 3 (three) years of service life of the vehicles, limited to the chassis cabs (lists are not inclusive of spare parts relevant to the bodybuilding).

Eurocargo 150E28W 4x4 Scheduled Maintenance 3 Years			
Part Number	Item Name	Qty x Vehicle	Total Qty
2992241	FUEL FILTER CARTR.	3	126
2992242	OIL FILTER	3	126
500086329	ANTI POLLEN FILTER	3	126
42558097	AIR FILTER	3	126
5803208328	AIR DRYER CARTRIDGE	3	126
2997374	FUEL PRE-FIL. CARTR.	3	126
500055972	ADBLUE FILTER EL. KI	3	126

M170 4x4 Scheduled Maintenance 3 Years			
Part Number	Item Name	Qty x Vehicle	Total Qty
2991585	FUEL FILTER CARTR.	3	96
2992544	OIL FILTER	6	192
5801962827	FILTERING CARTRIDGE	3	96
98128075AS	AIR FILTER	3	96
98128076AS	AIR FILTER	3	96
5803208328	AIR DRYER CARTRIDGE	3	96
2992662	FUEL PRE-FIL. CARTR.	3	96
504153481	FILTER ELEM. BLOW BY	3	96
42582554	G.BOX OILFILT.ELEM	3	96
98115754AS	FILTER	3	96
500055972	ADBLUE FILTER EL. KI	3	96

98131417	FILTER	3	96
5802377703	BELT	1	32
5949794874	BELT	1	32

M250 6x6 Scheduled Maintenance 3 Years			
Part Number	Item Name	Qty x Vehicle	Total Qty
2995711	FUEL FILTER CARTR.	3	36
2992544	OIL FILTER	6	72
5801962827	FILTERING CARTRIDGE	3	36
98128075AS	AIR FILTER	3	36
98128076AS	AIR FILTER	3	36
5803208328	AIR DRYER CARTRIDGE	3	36
2992662	FUEL PRE-FIL. CARTR.	3	36
504153481	FILTER ELEM. BLOW BY	3	36
42582554	G.BOX OILFILT.ELEM	3	36
98115754AS	FILTER	3	36
500055972	ADBLUE FILTER EL. KI	3	36
98131417	FILTER	3	36
504102152	BELT	1	12
500400185	BELT	1	12

Recommended Spare Parts for 3-years Corrective Maintenance

The following set of spare parts are included in the supply to cover the potential Corrective Maintenance for the first 3 (three) years of service life, limited to the chassis cabs (lists are not inclusive of spare parts relevant to the bodybuilding).

Eurocargo 150E28W 4x4 Recommended Spare Parts 3 Years		
Part Number	Item Name	Qty
1906242	BRAKE LINING SET	20
1906473	BRAKE LINING SET	20
2992241	FUEL FILTER CARTR.	15
2992242	OIL FILTER	1
2997374	FUEL PRE-FIL. CARTR.	15
4892320	ALTERNATOR	4
18095590	FUSE	50
41211070	VALVE ANTILOCK BRAKE	8
42558097	AIR FILTER	1
93159597	SILENTBLOCK	20
98407341	LIFTING DOORGLASS	4
98407344	LIFTING DOORGLASS	4
500050171	BATTERY	24
503612237	SHOCK ABSORBER	5
503612239	SHOCK ABSORBER	5

Eurocargo 150E28W 4x4 Recommended Spare Parts 3 Years		
Part Number	Item Name	Qty
504058103	FILLER SECTION	10
504058309	WINDSCREEN	10
504060688	POWER STEERING	3
504065877	GUIDE PULLEY	10
504065878	GUIDE PULLEY	10
504070038	HEAD COVER GASKET	10
504078268	OIL DIPSTICK	5
504091504	ELECTRICAL INJECTION	24
504095446	CHOCKED FILTR.SIGN	5
504262827	OIL FILLER PLUG	10
504273349	GEAR BOX ZF	1
504305419	WINDOW GLASS	4
504305420	WINDOW GLASS	4
504315785	BELT TENSIONER	10
504356934	PNEUM.BRAKE CYLIND	5
504358206	PRESSURE SWITCH	5
504380075	THERMOSTAT	5
504385728	TURBOCHARGER	2
5001857789	RESISTOR	10
5801426912	TAIL LAMP	5
5801426917	TAIL LAMP	5
5801476698	ELECTROVALVE	15
5801520336	STARTER MOTOR	3
5801548002	HIGH PRESSURE PUMP	4
5801555666	CLUTCH DISC	10
5801812493	SERVICE ENGINE	1
5801910166	OIL NOZZLE	18
5801912655	DIRECTION LAMP	20
5802122688	BUMPER	5
5802306395	LEVEL SENSOR	10
5802350483	WATER PUMP BELT	10
5802470503	WATER PUMP	5
5802844118	WIPER ARM	20
5803208328	AIR DRYER CARTRIDGE	15

M170 4x4 Recommended Spare Parts 3 Years		
Part Number	Item Name	Qty
98120046	BRAKE PAD SET	45
98120044	BRAKE PAD SET	15
5949812185	SHOCK ABSORBER	4
5801931331	WATER PUMP	2
504096443	THERMOSTAT	4
504066200	FUEL PUMP	4
504052956	STARTER MOTOR	2

M170 4x4 Recommended Spare Parts 3 Years		
Part Number	Item Name	Qty
504269280	TURBINE	2
504385500	CYL.HEAD GASKET	6
5949785668	ALTERNATOR	3
504100287	NOZZLE PUMP	5
504115069	ELECTROVALVE	4
504042683	SHAFT SEAL	4
504056062	RING	4
40102103	SHAFT SEAL	6
504173050	CAB TILTINGPUMP	4
500421217	CYLINDER	4
5802799223	AIR COMPRESSOR	2
5801414922	AIR DRYER	2
42103043	BEVEL DRIVE	2
42103071	BEVEL DRIVE	2
504374326	SUPPLY MODULE	3
5801730656	DOSING MODULE	4
500438790	REAR SPRING	4
5949798228	LEAF SPRING	4
5802776648	WATER RADIATOR	2
504015564	INTERCOOLER	2
504385146	AIR COND.COMPRESS.	2
41214450	CONDENSER	2
2991585	FUEL FILTER CARTR.	2
2992544	OIL FILTER	2
5801962827	FILTERING CARTRIDGE	2
98128075AS	AIR FILTER	2
98128076AS	AIR FILTER	2
5803208328	AIR DRYER CARTRIDGE	2
2992662	FUEL PRE-FIL. CARTR.	2
504153481	FILTER ELEM. BLOW BY	2
42582554	G.BOX OILFILT.ELEM	2
98115754AS	FILTER	2
500055972	ADBLUE FILTER EL. KI	2
98131417	FILTER	2
5802377703	BELT	2
5949794874	BELT	2

M250 6x6 Recommended Spare Parts 3 Years		
Part Number	Item Name	Qty
98120046	BRAKE PAD SET	30
98120044	BRAKE PAD SET	6
5949812185	SHOCK ABSORBER	2
5801931139	WATER PUMP	2
504240051	THERMOSTAT	2
5801982846	FUEL PUMP	2

M250 6x6 Recommended Spare Parts 3 Years		
Part Number	Item Name	Qty
5802899064	STARTER MOTOR	1
504013086	TURBOCHARGER	2
500054690	CYL.HEAD GASKET	3
504119712	ALTERNATOR	1
504287069	NOZZLE PUMP	6
504115069	ELECTROVALVE	2
5801625924	SHAFT SEAL	2
504056063	RING	2
40102103	SHAFT SEAL	2
504173050	CAB TILTINGPUMP	2
500421217	CYLINDER	2
5802799223	AIR COMPRESSOR	1
5801414922	AIR DRYER	1
42103043	BEVEL DRIVE	2
42103071	BEVEL DRIVE	2
42103043	BEVEL DRIVE	2
504374326	SUPPLY MODULE	1
5801730656	DOSING MODULE	1
98185270	REAR SPRING	2
5949798228	LEAF SPRING	2
5802776648	WATER RADIATOR	2
504015564	INTERCOOLER	2
504385146	AIR COND.COMPRESS.	2
42583088	KIT	2
2995711	FUEL FILTER CARTR.	2
2992544	OIL FILTER	2
5801962827	FILTERING CARTRIDGE	2
98128075AS	AIR FILTER	2
98128076AS	AIR FILTER	2
5803208328	AIR DRYER CARTRIDGE	2
2992662	FUEL PRE-FIL. CARTR.	2
504153481	FILTER ELEM. BLOW BY	2
42582554	G.BOX OILFILT.ELEM	2
98115754AS	FILTER	2
500055972	ADBLUE FILTER EL. KI	2
98131417	FILTER	2
504102152	BELT	2
500400185	BELT	2

Delivery Schedule of Spare Parts

The delivery of spare parts will be structured as follows:

1. **First Shipment** – The initial delivery of approximately 50% of the spare parts should coincide with the delivery of the first set of vehicles within the initial 9-month period from the signing

of the commercial contract. This phased delivery will allow for immediate maintenance support of the incoming vehicles.

2. **Final Shipment** – The remaining spare parts should be provided upon the completion of the full delivery of all vehicles. This distribution ensures a sustained support capacity for the complete fleet, in accordance with the previous provisions of this Appendix.

Authorized Service Arrangements

The ITA-MoD shall arrange with the supplier to ensure the following support and service provisions:

- **Warranty Period Maintenance** – During the warranty period, routine servicing, preventive maintenance, and basic repairs not under warranty (for all procedures for which MNE-MoD’s technicians are trained) can be conducted by MNE-MoD’s technicians. For all maintenance or repair needs beyond this (second and third-level maintenance), an authorized service center in Montenegro, designated by the ITA-MoD/Supplier (defined by the commercial contract) will be responsible. It is understood that the services falling under Warranty Terms would be provided free of charge in case the MNE-MoD would choose to let the repairs be performed by the authorized service center in Montenegro.
- **Service Center Timeframes** (limited to the chassis cab and excluding the bodybuilding) – In cases where a vehicle requires servicing at an authorized service center:
 - The vehicle must be accepted within 24 hours of arrival.
 - Diagnostic procedures should be completed within 48 hours.
 - Necessary repairs are to be finalized within 10 working days.
 - Should a more extensive repair be required, necessitating the delivery of additional spare parts or specific components, expected repair time, shall be notified with adequate justification from the service center within 10 working days.
- **Long-Term Spare Parts Supply** – The commercial supplier shall guarantee the availability of spare parts (that will be paid by MoD-MNE to the commercial supplier after the expiration of the guarantee period) for a period of 10 years following the final delivery of the vehicles, which will ensure long-term maintenance and operational support for the fleet.

Documentation:

The industrial supplier will provide MNE-MoD with the following technical documentation:

- N°2 (two) spare part catalogues per chassis cab type and bodybuilding type, in English language;
- N°1 (one) Operation and Maintenance booklet per vehicle, in English language.

TRANSPORTATION AND DELIVERY OF THE VEHICLES

For the purpose of transport and delivery of the goods covered by this IA, the vehicles shall be transported from the location designated as the place of acceptance of the vehicles by ITA-MoD (DAT) to the location identified by MNE-MoD “Milovan Šaranović barracks” in the city of Danilovgrad in Montenegro. All activities related to the pick-up, transport, delivery, including costs related to the transfer of vehicles and export costs, shall be borne by the Industrial Supplier, in accordance with the rules set in the International Commercial Terms (INCOTERMS ed. 2020), for

the transfer of goods from one State to another. In particular, for the purposes of this IA, the contractual clauses provided for the 'Delivered At Place' (DAP), as shown in the diagram below, will be applied.



Implementing Arrangement

between

the Ministry of Defence of Montenegro

and

the Ministry of Defence of the Italian Republic

**on Cooperation in the Field of
Military Equipment**

aiming at the acquisition of Military Logistic Vehicles and the

associated Logistic, Maintenance and Training Support

Services

APPENDIX 2 TO ANNEX 1

TRAINING

The purchase by MNE-MoD of training services will guarantee a commitment by the Industrial Supplier to provide, as a minimum:

Nº2 (two) Maintainers Training Courses in favour of identified personnel from MNE-MoD, in accordance with the following parameters:

- Language of the Training: English
- Language of the training aids: English
- Max number of trainees: 10 (ten)
- Location: To be Agreed during the execution of the programme, between:
 - Commercial Supplier premises:
 - availability of proper classroom, workshop, tools and supplies: at charge of the Commercial Supplier
 - travel and accommodation expenses of the trainees: at charge of the MNE MoD
 - MNE MoD premises:
 - availability of proper classroom, workshop, tools and supplies: at charge of the MNE MoD
 - travel and accommodation expenses of the trainers: at charge of the Commercial Supplier
- Trucks and bodybuilding covered by the training courses:
 - Eurocargo Troop Transport and Eurocargo Tank Versions
 - M170 and M250 Troop Transport and M170 Tank Versions
- Estimated timing of the Trainings: (to be agreed upon delivery of the above mentioned units)
 - Duration: about 2 (two) weeks each, (to be confirmed).
 - Prerequisites for the trainees: fluent in English, already enabled to drive similar military trucks and skilled in automotive maintenance routines
 - MNE MoD will provide an interpreter for Montenegrin/English languages for the training, if the training is conducted in Montenegro.
 - First Training Session should be conducted upon the delivery of the first set of vehicles (anticipated within 9 months of signing the commercial contract).
 - Second Training Session should take place upon the completion of the full delivery of vehicles.
- At successful conclusion, the Trainees will be provided of relevant Attendance Certificates by the Commercial Supplier
- Both Training Courses will include a reduced part to briefly cover the proper operation of the trucks, specifically verting on the proprietary characteristics and bodybuilding.

NACRT

**IMPLEMENTACIONI
ARANŽMAN**

između

**MINISTARSTVA ODBRANE
CRNE GORE**

i

**MINISTARSTVA ODBRANE
REPUBLIKE ITALIJE**

u vezi

**SARADNJE U OBLASTI
VOJNE OPREME**

u cilju

**nabavke vojnih logističkih vozila i povezane logističke podrške,
održavanja i obuke**

UVOD

Ministarstvo odbrane Crne Gore („MO CG”) i Ministarstvo odbrane Republike Italije („MO ITA“), u daljem tekstu, pojedinačno kao „Učesnik“ ili zajedno kao „Učesnici“,

- S obzirom na Sporazum između Vlade Crne Gore i Vlade Republike Italije o saradnji u oblasti odbrane, potpisan u Rimu 14. decembra 2011. godine, a stupio na snagu 05.02.2016. godine.
- Uzimajući u obzir Sporazum između Vlade Crne Gore i Vlade Republike Italije o razmjeni i međusobnoj zaštiti tajnih podataka, potpisan u Podgorici 13.10.2015. godine.
- Uzimajući u obzir Memorandum o razumijevanju (MoR) između Ministarstva odbrane Crne Gore i Ministarstva odbrane Republike Italije u vezi sa saradnjom u oblasti nabavke u oblasti odbrane potpisan u Rimu i Podgorici decembra 2022. godine radi promovisanja saradnje vlada-vladi (G2G) u oblasti odbrambenih nabavki.
- Uzimajući u obzir obaveze koje italijanska vlada ima zbog članstva u Evropskoj uniji.
- Konstatujući obaveze kojima podliježu oba Učesnika, zbog njihovog članstva u Organizaciji Sjevernoatlantskog ugovora.
- Uzimajući u obzir Sporazum između strana u Sjevernoatlantskom ugovoru o statusu njihovih snaga (u daljem tekstu „NATO SOFA“), potpisan u Londonu 19.06.1951. godine.
- Uzimajući u obzir njihove bliske i dugoročne operativne aktivnosti saradnje, usmjerene na promovisanje kombinovanog učešća u međunarodnim operacijama kroz povećanu interoperabilnost i zajedničke programe obuke i vježbi, uključujući aktivnosti u okviru inicijative talijanskog koncepta okvirne nacije (ITA-FNC).
- Uzimajući u obzir spremnost za nastavak dugoročne bilateralne strateške saradnje u cilju poboljšanja njihove međusobne interoperabilnosti i povećanja zajedničkih operativnih sposobnosti i aktivnosti u vojnoj oblasti.
- Uzimajući u obzir zajedničku želju da se bilateralna vojna saradnja, koja već uključuje aktivnosti u vezi sa nabavkom uniforme za pripadnike Vojske Crne Gore zasnovane na sistemu Italijanski vojnik na terenu, proširi i na oblast vojnih logističkih vozila.
- S obzirom da je Ministarstvo odbrane Crne Gore već izvršilo preliminarno istraživanje tržišta u cilju odabira vojnih logističkih vozila sposobnih da bolje ispune crnogorske tehničke i operativne zahtjeve za transport tereta/trupa.
- S obzirom na to da je jedino MO ITA uspjelo ponuditi sveobuhvatan program saradnje u oblasti vojnih logističkih vozila, u skladu sa zahtjevima MO CG.
- Imajući na umu da se u svrhu ovog Implementacionog aranžmana (u daljem tekstu „IA“), primjenjuju sljedeći termini i definicije:

SKRAĆENICA/NAZIV	DEFINICIJA
MO	Ministarstvo odbrane
MO-podnosilac zahtjeva	Ministarstvo odbrane zemlje traži pokretanje G2G programa saradnje
MO-primalac zahtjeva	Ministarstvo odbrane zemlje od koje je zatraženo pokretanje G2G programa saradnje
Učesnik	MO CG ili MO ITA
Učesnici	Ministarstva odbrane (kolektivno ITA i CG)
ITA NAD	Nacionalni direktor za naoružanje
CG NAD	Generalni direktor za logistiku u MO CG
Industrijski dobavljač	IVECO Defense Vehicles SpA
Sporazum	Akt između dvije države, odobren od strane odgovarajućih vlada ili obavezujući akt uopšteno
Aranžman	Akt između dvije države, koji su odobrili Vlada Crne Gore i ministar u Italiji, na osnovu višeg sporazuma
G2G	Inicijativa za bilateralnu saradnju „vlada-vladi“ („Government-to-Government“)
MoR	Memorandum o razumijevanju
G2G sporazum	Sporazum između Vlade Crne Gore i Vlade Republike Italije u sektoru odbrane, potpisan 14.12.2011.
IA	Implementacioni aranžman: specifičan implementacioni aranžman koji proizlazi iz G2G sporazuma, čiji je cilj razvoj specifičnog programa ili dobijanje određene platforme/usluge
UO	Upravni odbor: upravljačko tijelo za G2G saradnju
KT	Koordinacioni tim: Upravljačko tijelo za sve pregovore u vezi IA
TP	Tehnički panel: Izvršno tijelo za svaki tehnički aspekt pregovora u vezi IA
MP	Menadžer(i) projekta
DAT	Italijanska uprava za kopнено naoružanje
ZzP	Zahtjev za ponudu
PIS	Prava intelektualne svojine
EU	Evropska unija
NATO	Organizacija Sjevernoatlantskog ugovora
Poziv za sredstva	Zahtjev za finansiranje, upućen od strane MO ITA za troškove ugovora i aktivnosti ugovaranja programa
Komercijalni ugovor	Italijanski ugovor između MO ITA (DAT) i industrijskog dobavljača

Sklopili su sljedeći Implementacioni aranžman u oblasti vojnih logističkih vozila (u daljem tekstu „IA“).

ČLAN 1. SVRHA I OBIM

- 1.1 Svrha ovog IA je da uspostavi odredbe za definisanje i implementaciju saradnje u oblasti vojne opreme između Učesnika i uspostavljanje zajedničkih ugovornih procedura, za nabavku vojnih logističkih vozila i povezane usluge logistike, transporta, održavanja i obuke.
- 1.2 Ovaj IA uključuje nabavku od strane MO ITA za MO CG:
 - vojna logistička vozila za Vojsku Crne Gore, prema tehničkoj specifikaciji u Aneksu 1;
 - usluge logističke podrške, transporta, isporuke i održavanja, kao što je navedeno u Aneksu 1 – Dodatak 1;
 - usluge obuke, prema Aneksu 1 – Dodatku 2.
- 1.3 Implementacija ovog IA će se sprovoditi u skladu sa odgovarajućim nacionalnim zakonodavstvom i međunarodnim pravnim obavezama učesnika, uključujući i one koje proizilaze iz članstva Italije u Evropskoj uniji i članstva učesnika u NATO savezu.
- 1.4 U slučaju bilo kakvog sukoba između odredbi ovog IA, nacionalnih zakona Učesnika i međunarodnih obaveza, ove poslednje će imati prednost; Učesnici će bez odlaganja obavijestiti jedni druge o takvom događaju.
- 1.5 Ovaj IA nema za cilj stvaranje bilo kakvih prava ili obaveza, ni predugovornih ni ugovornih, koje su pravno obavezujuće za Učesnike.
- 1.6 Aneksi i odgovarajući dodaci ovom dokumentu čine sastavni dio ovog IA.

ČLAN 2. AKTIVNOSTI UGOVARANJA PROGRAMA

- 2.1 Aktivnosti ugovaranja programa će obuhvatiti sve radnje koje se odnose na preciznu specifikaciju, pregovore, potpisivanje, izvršenje i konačnu reviziju Ugovora o implementaciji i naknadnog ugovora o nabavci vozila i usluga kako je opisano u članu 1.
- 2.2 MO ITA će obavljati programske aktivnosti u skladu sa uslovima i odredbama ovog IA.
- 2.3 MO CG prihvata određivanje MO ITA „Direzione degli Armamenti Terrestri” (DAT) kao ugovorne agencije za nabavku traženih vojnih logističkih vozila i povezanih logističkih usluga i usluga obuke, djelujući u ime MO CG i u skladu sa italijanskim nacionalnim zakonima i međunarodnim obavezama.
- 2.4 Ovlašćenje MO ITA da djeluje u ime MO CG će biti ograničeno na granice utvrđene u ovom IA i u matičnom ugovoru o nabavci.
- 2.5 MO ITA će biti odgovorno za:
 - garantovanje da će vozila i relevantne usluge logistike i obuke biti nabavljene od industrijskog dobavljača za MO CG, u skladu sa administrativnim i tehničkim uslovima dogovorenim u ovom IA;

- pripremanje kompletne tehničke i administrativne dokumentacije u vezi sa postupkom nabavke, i pregovaranje o uslovima i odredbama ugovora sa industrijskim dobavljačem, kako bi se ispunili uslovi dogovoreni u ovom IA;
 - angažovanje sa industrijskim dobavljačem u cilju pokretanja faze pregovora o ugovoru izdavanjem Zahtjeva za ponudu (u daljem tekstu „ZzP“) industrijskom dobavljaču na osnovu zahtjeva Crne Gore sadržanih u ovom IA, s ciljem definisanja nacrtu ugovora o nabavci za konačno odobrenje od strane Ministarstva odbrane Crne Gore;
 - potpisivanje ugovora i njegovo izvršenje. Ugovor će sadržavati sve relevantne odredbe obuhvaćene ovim IA radi pravilnog izvršenja nabavke;
 - vršenje konačne kontrole kvaliteta i prijema vozila i svih isporučenih proizvoda, koje će vršiti MO ITA u skladu sa NATO STANAG 4107 „Uzajamno prihvatanje vladinog osiguranja kvaliteta i korišćenje publikacija savezničkog osiguranja kvaliteta“.
- 2.6 MO CG će, nakon odobrenja nacrtu ugovora o nabavci, dati punomoćje MO ITA za potpisivanje navedenog ugovora u ime MO CG, koje će, iako nije pravni učesnik u ugovoru sa industrijskim dobavljačem, biti krajnji korisnik vozila i usluga koje se nabavljaju;
- 2.7 MO CG prepoznaje da MO ITA ni na koji način nije odgovorno za izvršenje ugovora od strane industrijskog dobavljača. U slučaju neizvršenja obaveza od strane industrijskog dobavljača, ne može se tražiti odgovornost (uključujući bilo kakvu finansijsku obavezu) MO ITA.
- 2.8 MO ITA će pregovarati i zaključiti ugovor na osnovu fiksnih ili čvrstih cijena.
- 2.9 Nabavka traženih vozila, pripadajućih djelova i usluga od strane MO CG biće podložna važećim pravilima o transferu i izvozu Vlade Italije. Sve troškove povezane sa fazama transfera i izvoza snosiće industrijski dobavljač u skladu sa DAP INCOTERMS 2020.
- 2.10 Ugovorne odredbe će biti isporučene u 2 (dva) dijela, približne vrijednosti od 40% i 60% ukupnog iznosa, ovim redom. Isporučka prvog dijela počće najkasnije 9 mjeseci nakon stupanja na snagu komercijalnog ugovora, dok će cijela isporuka biti završena najkasnije 18 mjeseci od stupanja ugovora na snagu.
- 2.11 MO ITA se obavezuje da će pružiti podršku MO CG u slučaju bilo kakvih problema koji nastanu tokom izvršenja ugovora.
- 2.12 Oba učesnika će dati sve od sebe da pomognu industrijskom dobavljaču IVECO Defence Vehicles SpA u podnošenju sve potrebne dokumentacije relevantnim nacionalnim vlastima i u obezbjeđivanju potrebnih licenci i dozvola za implementaciju ovog IA.

ČLAN 3 . UPRAVLJANJE

- 3.1 Realizaciju ovog IA usmjeravaće i voditi Koordinacioni tim (KT), kojim predsjedavaju dva menadžera programa, po jedan za svakog učesnika, a imenovaće ih nadležni nacionalni organ. KT će uključivati odgovarajuće stručnjake iz relevantnih oblasti.
- 3.2 KT će se sastajati onoliko često koliko je potrebno. Sastanak KT-a može se sastojati od fizičkog sastanka, konferencijskog poziva ili video konferencije, pod uslovom da sredstva komunikacije omogućavaju identifikaciju svakog učesnika.

- 3.3 CT može imenovati posebne tehničke panele (TP) da definišu, pregovaraju ili upravljaju specifičnim aspektima ove saradnje.
- 3.4 Kako bi se osigurala bolja koordinacija aktivnosti, predstavnici MO CG mogu biti upućeni u MO ITA. Sve povezane troškove će pokriti MO CG.

ČLAN 4. FINANSIJSKE ODREDBE

- 4.1 Ovaj IA neće određivati finansijske obaveze za MO ITA. Svi mogući troškovi u vezi sa projektom koje pretrpe Učesnici će zavisiti od raspoloživosti sredstava u njihovom redovnom godišnjem budžetu.
- 4.2 MO CG će snositi troškove koje snosi MO ITA za aktivnosti ugovaranja programa koje se realizuju za MO CG, u skladu sa specifičnim aktivnostima opisanim u ovom IA. Ukupna maksimalna finansijska obaveza za MO CG (bez poreza, carina i sličnih dažbina) neće premašiti budžet od 20.000.000,00 € (dvadeset miliona eura), kako je detaljnije definisano u **Aneksu 2**.
- 4.3 Odgovornost MO CG je da obezbijedi da sva isporučena vozila budu oslobođena bilo kakvih poreza i/ili nameta i/ili PDV-a u Crnoj Gori, uključujući, ali ne ograničavajući se na carinske takse, porez po odbitku, porez na prodaju, porez na prihod ili bilo koje druge direktne/indirektne poreze koji se primjenjuju u Crnoj Gori.
- 4.4 MO ITA će osigurati da će cijene artikala koje se nabavljaju biti fakturisane od industrijskog dobavljača po njihovoj ukupnoj vrijednosti MO-u ITA.
- 4.5 Poziv za sredstva izdaće MO ITA), a MO CG će izvršiti uplatu u roku od trideset dana od prijema poziva.
- 4.6 MO ITA će refundirati sve uplate primljene za ovu nabavku za koje se dokaže da premašuju konačni ukupni trošak isporuke i izvršenja.
- 4.7 Učesnici su se saglasili da će zajednički pratiti stanje finansijskih sredstava nakon isplate prema potpisanim ugovorima, kao i da vrate neutrošena finansijska sredstva po isteku ovog IA.

ČLAN 5. OSIGURANJE KVALITETA

- 5.1 Konačnu kontrolu kvaliteta svih isporuka izvršiće MO ITA u skladu sa NATO STANAG 4107 „Međusobno prihvatanje državnog osiguranja kvaliteta i korišćenje savezničkih publikacija o osiguranju kvaliteta.“ Izvještaj o inspekciji materijala izdaće MO ITA. Za ove potrebe, MO ITA će imenovati komisiju za prihvatanje.
- 5.2 MO CG može angažovati stručnjaka, kao posmatrača, u komisiju za prijem MO ITA. Posmatrač neće biti odgovoran za konačno testiranje i prihvatanje, ali će biti ovlašćen da gleda, prikuplja informacije i kada je potrebno/zatraženo, daje povratne informacije bez aktivnog učešća u fazama prihvatanja. U ove svrhe, posmatrač će bilježiti zapažanja, prikupljati podatke i dijeliti nalaze sa MO CG, pratiće napredak i identifikovati potencijalne rizike i probleme i pružati objektivne povratne informacije i komisiji za prijem i MO CG.

- 5.3 MO CG će se pridružiti protokolu prijema i prihvatiti isporuku od MO ITA, bez dalje provjere.

ODJELJAK 6. PRENOS VLASNIŠTVA

- 6.1 MO ITA će isporučiti i prenijeti pravo vlasništva na MO CG na početnoj tački otpreme. U vezi s predmetima nabavljenim za prodaju MO CG, takvi predmeti biće isporučeni u kasarni „Milovan Šaranović“ u Danilovgradu, Crna Gora. Transport od mjesta prihvatanja do navedenog mjesta isporuke obaviće industrijski dobavljač (DAP INCOTERMS 2020).
- 6.2 MO CG će prihvatiti inspekciju predmeta koristeći procedure MO ITA i račun kao dokaz da je pravo vlasništva preneseno.
- 6.3 MO ITA se odriče svake odgovornosti za štetu ili gubitak predmeta nastalih nakon prelaska prava vlasništva.

ČLAN 7. GARANCIJE I IZVJEŠTAVANJE O NEUSKLAĐENOSTIMA

- 7.1 MO ITA ne daje nikakve garancije niti jamstva za bilo koji od predmeta prodatih u skladu s ovim IA, osim prava vlasništva nad predmetima koji su prodati MO CG.
- 7.2 MO ITA će za račun MO CG primjenjivati uslove garancije u okviru izvršnih funkcija ugovora. Ovo će osigurati zamjenu ili popravku neispravnih predmeta, u granicama i pod uslovima garancije navedenim u komercijalnom ugovoru.
- 7.3 U slučaju neispravnosti nabavljenih predmeta, MO CG će podnijeti izvještaj MO ITA. MO ITA će tražiti rješenje od industrijskog dobavljača u skladu s odredbama ugovora o nabavci.

ČLAN 8. VLASNIŠTVO, OTKRIVANJE I UPOTREBA INFORMACIJA

- 8.1 Za potrebe ovog IA, pojam Informacija obuhvata zabilježene ili dokumentovane informacije naučne, tehničke, poslovne ili finansijske prirode, bez obzira na format, dokumentarne karakteristike ili drugi medij prezentacije, kao što su: eksperimentalni i testni podaci, specifikacije, dizajni i dizajnerski procesi, pronalasci i otkrića, bilo da su patentibilni ili ne, tehnički opisi i druga djela, tehnički i proizvodni paketi podataka, znanje (know-how) i poslovne tajne, kao i informacije koje se odnose na industrijske tehnike. Informacije mogu biti predstavljene u obliku dokumenata, slikovnih reprodukcija, crteža i drugih grafičkih prikaza, snimaka na disku i filmu (magnetnih, optičkih i laserskih), računarskog softvera, kako programskih tako i baza podataka, ispisa ili podataka sačuvanih u računarskoj memoriji, ili u bilo kojem drugom obliku.

- 8.2 Informacije koje nisu nastale u izvršenju ovog IA smatraće se Pozadinskim informacijama, a pravo vlasništva nad njima ostaće kod izvornog autora i neće biti preneseno na primaoca-Učesnika.
- 8.3 Svaki učesnik će koristiti Pozadinske informacije koje otkrije drugi učesnik isključivo za svrhe ove saradnje. Ovo podrazumijeva i otkrivanje zahtjeva u vezi vojnih logističkih vozila i pripadajućih usluga industrijskom dobavljaču IVECO Defence Vehicles S.p.A. i njegovim podizvođačima uključenim u program.
- 8.4 Primalac neće dalje otkrivati takve Pozadinske informacije bez prethodnog pisanog pristanka Učesnika koji ih je dostavio. Između ostalog, primalac neće biti ovlašćen da:
- koristi tehničku dokumentaciju u komercijalne svrhe;
 - obavlja obrnuti inženjering, dekompilaciju, rastavljanje ili prevođenje tehničkih dokumenata u bilo koji ljudski ili mašinski čitljiv oblik, u cjelosti ili djelimično;
 - mijenja, kopira, prevodi na bilo koji jezik, reprodukuje ili izrađuje izvedene radove od tehničkih dokumenata i podataka, u cjelosti ili djelimično.
- 8.5 Sva prava intelektualne svojine (PIS) ostaće u vlasništvu onoga ko je razvio ili posjeduje relevantno znanje (IVECO Defence Vehicles S.p.A. i njegovi dobavljači). Stoga, nabavka traženih vojnih logističkih vozila neće se tumačiti kao eksplicitno ili implicitno davanje naslova ili prava na bilo koje znanje, dizajne, autorska prava, patente, modele korisnosti, zaštitne znakove ili bilo koje licence u vezi s navedenim vozilima i dokumentacijom koja su vlasništvo IVECO Defence Vehicles S.p.A. i njegovih dobavljača.
- 8.6 S obzirom na povjerljivu i vlasničku prirodu tehničkih dokumenata i bilo kojih informacija sadržanih u njima, MO CG se obavezuje da neće otkrivati nijedan takav dokument i informacije bilo kojoj trećoj strani bez prethodnog pisanog pristanka IVECO Defence Vehicles S.p.A., koji će takođe biti odgovoran za koordinaciju tog pristanka sa svojim dobavljačima, gdje je primjenjivo. Takve obaveze ostaće na snazi i nakon isteka ili raskida ugovora o nabavci.

ČLAN 9. BEZBJEDNOST KLASIFIKOVANIH INFORMACIJA

- 9.1 Klasifikovani materijal ili informacije biće obrađivani u skladu sa Sporazumom između Vlade Republike Italije i Vlade Crne Gore o razmjeni i međusobnoj zaštiti klasifikovanih informacija, potpisanim u Podgorici 13. oktobra 2015. godine od strane predstavnika obje vlade Republike Italije i Crne Gore.
- 9.2 Učesnici će olakšati razmjenu relevantnih i neophodnih klasifikovanih informacija za svrhe ove saradnje i obezbijediće zaštitu klasifikovanih informacija i nakon isteka ovog IA.

ČLAN 10. STATUS OSOBLJA

- 10.1 Pravni status vojnog i civilnog osoblja na teritoriji drugog Učesnika pokriven je Sporazumom između Strana Sjevernoatlantskog ugovora o statusu njihovih snaga, sačinjenim u Londonu 19. juna 1951. (NATO SOFA).

- 10.2 Lični podaci vojnog i civilnog osoblja uključenog u sprovođenje ovog IA biće zaštićeni u skladu sa važećim evropskim zakonodavstvom i odgovarajućim nacionalnim zakonom.

ČLAN 11. PRAVNO TUMAČENJE I RJEŠAVANJE RAZLIKA

- 11.1 Svaka razlika u tumačenju ovog IA rješavaće se prijateljskim putem, u ograničenom vremenskom roku, kroz direktne konsultacije i pregovore između učesnika u okviru specifičnog konsultativnog odbora, koji će zajednički imenovati učesnici za tu svrhu.
- 11.2 Iako MO CG nije pravni učesnik u ugovoru o nabavci s industrijskim dobavljačem, predstavljaće krajnjeg korisnika kopnenih vozila i usluga povezanih s nabavkom. Stoga će MO ITA podržati potencijalne zahtjeve MO CG, koji mogu proisteći nakon isporuka pojedinačnih odredbi, kroz ostvarivanje uslova garancije navedenih u komercijalnom ugovoru.
- 11.3 Ovaj IA nije namijenjen za stvaranje bilo kakvih prava ili obaveza, bilo predugovornih ili ugovornih, koje su pravno obavezujuće za učesnike.

ČLAN 12. STUPANJE NA SNAGU, TRAJANJE I IZMJENE

- 12.1 Ovaj IA stupa na snagu na datum posljednjeg potpisa i ostaje na snazi sve dok ugovor koji iz njega proizilazi ne bude u potpunosti izvršen.
- 12.2 U slučaju da Učesnici zajednički odluče da raskinu ovaj IA, njegove relevantne odredbe ostaće na snazi dok se svi neriješeni problemi ne riješe ili ne otklone. Klasifikovane informacije primljene radi izvršenja ovog IA ostaće zaštićene u skladu sa članom 9 ovog IA.
- 12.3 Ovaj IA može biti dopunjen ili modifikovan u bilo koje vrijeme, u pisanoj formi, uz obostranu saglasnost Učesnika.
- 12.4 Aneksi i dodaci mogu biti dopunjeni ili modifikovani u bilo kom trenutku u pisanoj formi uz zajedničku saglasnost dva menadžera programa u KT.
- 12.5 Radni jezik u implementaciji i izvršenju ovog IA, kao i pratećih PA/TA dokumenata, biće engleski.
- 12.6 Ovaj IA i prateći dokumenti biće potpisani na engleskom jeziku.

Potpisan _____ dana _____ u četiri originalna primjerka, na engleskom jeziku, pri čemu su sve kopije jednako vjerodostojne.

Za Ministarstvo odbrane
Republike Italije

Za Ministarstvo odbrane
Crne Gore



Vojna logistička vozila za Vojsku Crne Gore

ANEKS 1

KONFIGURACIJA VOZILA

novembar 2024

REZIME

1. IVECO EUROCARGO MLL150E28VS TROOP TRANSPORT	5
1.1 Dimenzije i mase.....	5
1.2 Motor i performanse	6
1.3 Mjenjač, prenosno kućište i osovine	7
1.4 Suspenzije, kočnice, točkovi i gume	8
1.5 Šasija i okvir	8
1.6 Kuka za vuču i vitlo	9
1.7 Električni i sistem za gorivo	9
1.8 Cargo Area.....	9
2. IVECO MODEL M170.33VM (SM 44.31 4k4) TRANSPORT	10
2.1 Dimenzije i mase.....	10
2.2 Motor i performanse	10
2.3 Mjenjač, prenosno kućište i osovine	11
2.4 Suspenzije, kočnice, točkovi i gume	11
2.5 Šasija i okvir	12
2.6 Kuka za vuču i vitlo	12
2.7 Električni i sistem za gorivo	14
2.8 Cargo Area.....	15
3. IVECO MODEL M250.40 VM (SM 66.40 6k6) TRANSPORT	16
3.1 Dimenzije i mase.....	16
3.2 Motor i performanse	16
3.3 Mjenjač, prenosno kućište i osovine	17
3.4 Suspenzije, kočnice, točkovi i gume	17
3.5 Šasija i okvir	18
3.6 Kuka za vuču i vitlo	18
3.7 Električni i sistem za gorivo	20
3.8 Cargo Area.....	21
4. IVECO EUROCARGO MLL150E28VS REZERVOAR GORIVA 7000 L KONFIGURACIJA	22
4.1 Dimenzije i mase.....	22

4.2	Motor i performanse	23
4.3	Mjenjač, prenosno kućište i osovine	24
4.4	Suspenzije, kočnice, točkovi i gume	25
4.5	Šasija i okvir	25
4.6	Kuka za vuču i vitlo	26
4.7	Električni i sistem za gorivo	26
4.8	Rezervoar za gorivo	26
5.	IVECO MODEL M170.33VM (SM 44.31 4k4) REZERVOAR ZA DIZEL 6000 L	29
5.1	Dimenzije i mase.....	29
5.2	Motor i performanse	29
5.3	Mjenjač, prenosno kućište i osovine	30
5.4	Suspenzije, kočnice, točkovi i gume	30
5.5	Šasija i okvir	31
5.6	Kuka za vuču i vitlo	32
5.7	Električni i sistem za gorivo	32
5.8	Rezervoar za gorivo	32
6.	IVECO EURO CARGO MLL150E28VS AVIATION REFUELER TANK 7000 L (JET GUEL) ADR FL KONFIGURACIJA	35
6.1	Dimenzije i mase.....	35
6.2	Motor i performanse	36
6.3	Mjenjač, prenosno kućište i osovine	37
6.4	Suspenzije, kočnice, točkovi i gume	38
6.5	Šasija i okvir	39
6.6	Kuka za vuču i vitlo	39
6.7	Električni i sistem za gorivo	39
6.8	Rezervoar za gorivo	39
7.	IVECO EURO CARGO MLL150E28VS REZERVOAR ZA VODU 7000 L KONFIGURACIJA	42
7.1	Dimenzije i mase.....	42
7.2	Motor i performanse	43
7.3	Mjenjač, prenosno kućište i osovine	44
7.4	Suspenzije, kočnice, točkovi i gume	45

7.5	Šasija i okvir	45
7.6	Kuka za vuču i vitlo	46
7.7	Električni i sistem za gorivo	46
7.8	Rezervoar za vodu	46
8.	IVECO MODEL M170.33VM (SM 44.31 4k4) REZERVOAR ZA VODU 5000 L	48
8.1	Dimenzije i mase.....	48
8.2	Motor i performanse	48
8.3	Mjenjač, prenosno kućište i osovine	49
8.4	Suspenzije, kočnice, točkovi i gume	49
8.5	Šasija i okvir	50
8.6	Kuka za vuču i vitlo	51
8.7	Električni i sistem za gorivo	51
8.8	Rezervoar za vodu	51
9.	RECAP TABLE	53
10.	DRUGE KARATERISTIKE	53
10.1	ZAJEDNIČKI ZA SVA VOZILA.....	53
10.2	VOZILA ZA TRANSPORT VOJSKE / TERETA	53
10.3	VOZILA CISTERNA	54

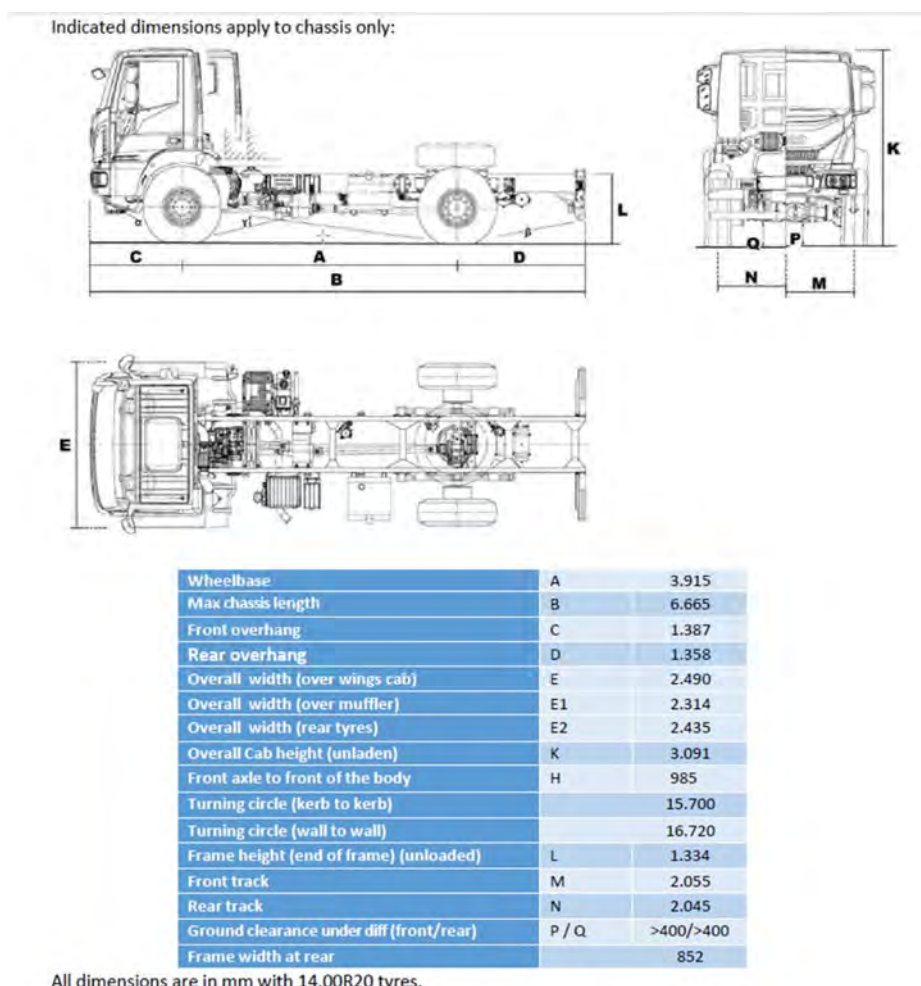
1. IVECO EUROCARGO MLL150E28VS TROOP TRANSPORT

Konfiguracija vozila IVECO EUROCARGO MLL150E28VS za MO CG opisana je u sledećim paragrafima. IVECO EUROCARGO MLL150E28VS je vozilo sa stalnim pogonom 4k4, volan na lijevoj strani, duga kabina, prednji motor, napredna vozačka kabina, prednja upravljačka osovina sa jednim točkom, zadnja osovina sa jednim točkom, pogodna za teške uslove rada na putu i van puta.

Integracija sve opreme i sistema (uključujući odredbe) koji su dio vojnih logističkih vozila MNE-MO biće kvalifikovana u skladu sa IVECO Procesom kvalifikacije za odbrambena vozila.

1.1 Dimenzije i mase

Dimenzije i mase IVECO EUROCARGO MLL150E28VS koje će biti dostavljene MO CG su prikazane na slici br. 1 i br. 2:



Slika #1

Težine se odnose na standardnu konfiguraciju i uključuju:

šasija kabina, vozač (75 kg), pun rezervoar za gorivo (200 l), komplet alata i rezervni točak. Vrijednosti u kg.

Total vehicle kerb weight	5975
Kerbweight on Front Axle	3970
Kerbweight on Rear Axle	2005
G.V.W. (EC)	15000
Plated weight on front axle (EC)	5700
Plated weight on rear axle(s) (EC)	10000
Max body & payload (Design)	9025

Slika #2

1.2 Motor i performanse

IVECO EUROCARGO MLL150E28VS je opremljen Common-rail direktnim ubrizgavanjem, turbopunjačem, interkulerom i motorom Tector 6 sa vodenim hlađenjem. Motor ima 275 KS sa nivoom emisije deklarisanim na nivou EURO 3.

- Broj cilindara 6 u redu
- Ukupna zapremina 5.880 cm³
- Hod 102 mm
- Otvor 120 mm
- Maksimalna snaga 202 kW (275 KS) pri 2500 o/min
- Maksimalni obrtni moment 930 Nm pri 1250 o/min

Maksimalna brzina IVECO EUROCARGO MLL150E28VS je elektronski ograničena. Na slici br. 3 prikazane su performanse modela za MO CG

Maximum speed at GVW on flat surface (km/h with electronic speed limiter)	90
Maximum climbable (front) gradient	31° (60%)
Maximum side slope (without superstructure)	26° (58%)
Approach angle	31°
Departure angle	16°
Max fording depth [mm]	750
Cruising range at GVW (on paved road, on flat surface at 67 km/h) [km]	> 800
Temperature range:	-20°C / +49°C

Slika #3

IVECO turbo brake motorna kočnica.

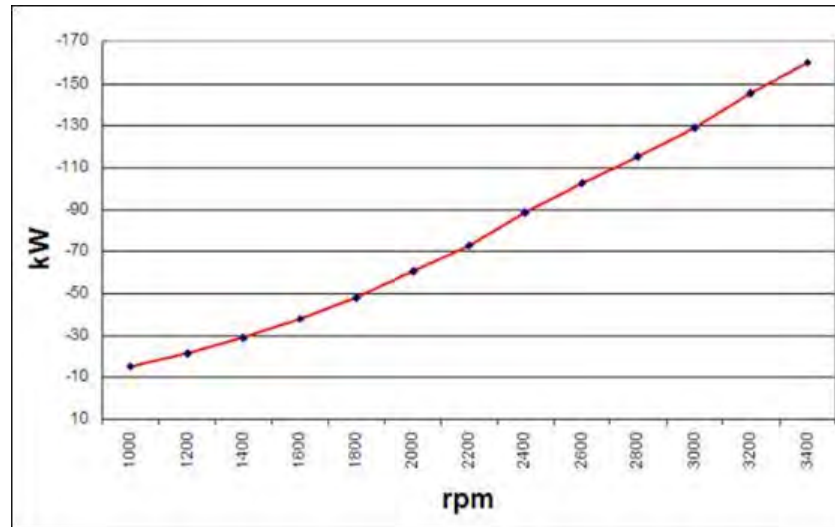
Tector motori instalirani na Eurocargo opremljeni su leptir ventilom u izduvnom razvodniku radi poboljšanja standardnih performansi kočnice motora. Pomenuti ventil povećava povratni pritisak izduvnih gasova, čime se povećava snaga kočenja motora.

Funkcija se može kontrolisati pomoću ručice na volanu sa dva načina rada:

- 1- Samo pritiskom na pedalu kočnice.
- 2- Otpuštanjem pedale gasa, nezavisno od rada pedale kočnice.

Ova funkcija smanjuje zamor vozača izbjegavajući upotrebu pedale kočnice za usporavanje vozila i smanjuje habanje kočnica i kočionih pločica.

Motorna kočnica je efikasna iznad 1000 o/min motora prema krivi prikazanoj na slici #4:

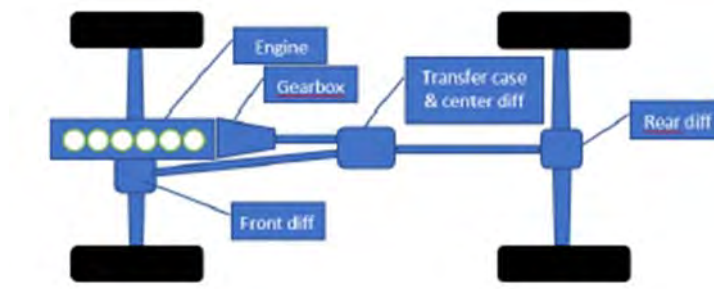


Slika #4

1.3 Mjenjač, prenosno kućište i osovine

IVECO EURO CARGO MLL150E28VS ima ručni ZF mjenjač tipa ZF 6S 1000 TO: šest sinhronizovanih brzina naprijed plus jedna unazad. Nema intardera /retardera.

Kućište kamiona je IVECO TC 1100 koji se ugrađuje na šasiju, nezavisno od mjenjača. Trajni pogon 4x4 sa uzdužnim diferencijalom. Dva odnosa: na putu (1:0,99) i van puta (1:1,94). Raspodjela obrtnog momenta: 33% naprijed, 67% pozadi. Uzdužni diferencijal može da se blokira u teškim terenskim uslovima (šema na slici br. 5)



Slika #5

Parametri osovine su:

Prednja osovina: Iveco 5956. Kruta, redukcija glavčine. Odnos osovina: 5,326. Diferencijalna blokada.

Zadnja osovina: Iveco 451146/1. Redukcija čvorišta. Odnos osovina: 5,326. Diferencijalna blokada.

1.4 Suspenzije, kočnice, točkovi i gume

SUSPENZIJE:

Prednja strana: Parabolične lisnate opruge sa jednom fleksibilnošću, integrisane sa dva elastična čepa i teleskopskim hidrauličnim amortizerima dvostrukog dejstva.

Pozadi: Parabolične lisnate opruge sa jednom fleksibilnošću.

Anti-roll šipka na prednjoj i zadnjoj osovini.

KOČNICE:

Dva nezavisna pneumatska kola.

ABS i EBL sistemi.

Doboš kočnice prednje i zadnje osovine.

Prečnik: 381 mm

Širina: 178 mm

Servis i hitna pomoć: pneumatski na svim točkovima.

Parking: mehanički tip sa oprugom i pneumatskim upravljanjem na zadnjim osovinama.

Motorna kočnica IVECO FPT na izduvnom sistemu.

TOČKOVI I GUME:

Prednji: 14,00 R 20 jednostruko montiran

Pozadi: 14,00 R 20 jednostruko montiran

Tip diska 20-10.00V, montiran pojedinačno na prednjoj i zadnjoj osovini.

Jedan rezervni točak 14,00 R 20" montiran na nadgradnju.

Runflat VFI sistem na svim točkovima . Vozilo u konfiguraciji sa punim opterećenjem, sa jednom ili dvije pneumatike , može da pređe put ukupne razdaljine bez da se guma slepi sa točka ili da se zapali i bez ozbiljnog uticaja na upravljanje, manevrisanje , stabilnost, kočenje i održavanje brzina pod sledećim uslovima:

- 50 km na putu (3 km pri maksimalnoj brzini; 10 km pri 50 km/h konstantna brzina; 37 km pri 25 km/h)
- putujte van puta 2 sata brzinom od približno 20 km/h, a da guma ne napusti felge ili da se zapali.

1.5 Šasija i okvir

Izrađen od čelika visoke čvrstoće sa bočnim elementima u obliku slova „C“ koji su povezani vijcima i zakovicama.

Slijede podaci za bočne elemente (sparove):

Debljina bočnih elemenata (mm) 6

Maksimalna visina bočnih nosača (mm) 252

Širina prirubnice bočnih elemenata (mm) 70

1.6 Kuka za vuču i vitlo

Svi IVECO EURO CARGO MLL150E28VS su opremljeni sa automatskom spojnicom za vuču Ringfeder tip K4D pogodnom za povezivanje sa ušicama vučne vule 76 mm. Vitlo neće biti instalirano na model koji je odabrao MO CG.

1.7 Električni i sistem za gorivo

ELEKTRIČNI SISTEM:

Napon: 24 V

Baterije: 2x 12V, 143 Ah

Alternator: 28 V – 90 A

Starter: 24 V – 4 kV

Glavni prekidač mehaničkih baterija.

NATO slave starter utičnica

Sistem zatamnjenja osvijetljenja (prednja, zadnja i konvojska svjetla)

SISTEM GORIVA:

čelični rezervoar za gorivo nominalnog kapaciteta 200 litara sa indikatorom nivoa i filterom;

Filter za separator vode, providan za lakšu inspekciju.

1.8 Cargo Area

Dimenzije tovarnog prostora IVECO EURO CARGO MLL150E28VS su sledeće:

- Dužina 4000 mm
- 2500 mm širine
- 1800 mm minimalna visina (srednja linija).

Kapacitet tereta i konfiguracija karoserije su sledeći:

16 putnika na sklopivim klupama (drvene letvice) duž tovarnog prostora.

5 strana za spuštanje (2+2 bočne i 1 zadnja) sklopive, sa kukama za zaključavanje, gumenim graničnicima i kukama za pričvršćivanje cerade na spoljnoj površini.

Strane pada će se ukloniti u otvorenom položaju, bez ikakvog alata.

Držač rezervnog točka unutar tovarnog prostora. D-kuke na podu za vezivanje tereta.

Vodootporna cerada sa sklopivim stranama.

2. IVECO MODEL M170.33VM (SM 44.31 4k4) TRANSPORT

Konfiguracija vozila IVECO M170.33VM (SM 44.31 4k4) za MO CG je opisana u sledećim paragrafima. IVECO M170.33VM je šasija za sve terene visoke mobilnosti sa prednjom osovinom sa jednim točkovima, zadnjom osovinom sa jednim točkovima i stalnim pogonom na sve točkove.

Integracija sve opreme i sistema (uključujući odredbe) koji su dio vojnih logističkih vozila MNE-MO biće kvalifikovana u skladu sa IVECO Procesom kvalifikacije za odbrambena vozila.

2.1 Dimenzije i mase

Dimenzije i mase IVECO M170.33VM (SM 44.31 4k4) koje će biti dostavljene MO CG su navedene u nastavku:

DIMENZIJE

Međuosovinsko rastojanje:	4200 mm
Prednji prepust:	1375 mm
Zadnji prepust:	1800 mm
Širina šasije:	2550 mm mak
Prilazni ugao:	42°
Ugao odlaska:	30° (sa preklopljenim zadnjim podvozjem, položaj van puta)
Klirens:	420 mm
Ø okretanja između zidova:	18,0 m (radijus okretanja 9,0 m)
Tolerancija na a/m vrijednosti	± 5%

MASE

Zakonska težina:	18000 kg
Maksimalna dozvoljena osovinska opterećenja	
Prednja osovina:	9000 kg
Zadnja osovina:	10000 kg
Procjena težine vozila:	
Ukupna težina praznog vozila:	9300 kg (uključujući posadu i gorivo)
Ukupno sa nadgradnjom:	11520 kg
Bruto nosivost vozila:	6480 kg
Tolerancija na a/m vrijednosti	± 5%

2.2 Motor i performanse

IVECO M170.33VM je opremljen sa turbopunjačem, interkuler 4-taktnim dizel sistemom direktnog ubrizgavanja sa vodenim hlađenjem IVECO F2B Cursor 8 motorom. Motor ima 330 KS, nivo emisije EURO 5.

- Broj cilindara 6 u redu
- Ukupna zapremina 7.790 cm³
- Hod 125 mm
- Otvor 115 mm
- Maksimalna snaga 245 kW (330 KS) pri 2400 o/min
- Maksimalni obrtni moment 1300 Nm pri 1685 o/min

Maksimalna brzina IVECO M170.33VM elektronski je ograničen. U nastavku su prikazane performanse modela za MO CG

Maksimalna brzina na ravnoj popločanoj površini:	85 km/h sa elektronskim ograničavačem brzine
Mogućnost gradijenta:	60% (30°)
Mogućnost bočnog nagiba:	30% (17°)
Sposobnost prelaska:	1200 mm
Specifična snaga motora:	13,6 kV/t (odnosi se na legalni 4k4 GVV)
Maksimalni domet goriva:	800 km (prema CUNA NC003-01 pri brzini od 55 km/h na ravnom asfaltiranom putu)
Opseg radne temperature:	-32°C +49°C

2.3 Mjenjač, prenosno kućište i osovine

Automatski mjenjač sa pretvaračem obrtnog momenta, Allison 3500SP, 6 brzina naprijed + 1 nazad, Integrirani retarder.

IVECO prenosna kutija sa dva prenosna odnosa (normalni i smanjeni). Grupa reduktor-razdjelnik se sastoji od niza cilindričnih spirarnih zupčanika sa konstantnom mrežom. Može se zaključati pneumatskom kontrolom iz unutrašnjosti kabine.

Parametri osovine su:

Prednja osovina: IVECO-FPT noseća pogonska osovina, upravljiva, sa duplom redukcijom, centralna sa konusnim zupčanikom, u glavčinama točkova sa planetarnim zupčanikom. Diferencijal između točkova koji se može zaključati.

Zadnja osovina: IVECO-FPT noseća pogonska osovina, sa dvostrukom redukcijom, centralna sa konusnim zupčanikom, u glavčinama točkova sa planetarnim zupčanikom. Diferencijal između točkova koji se može zaključati.

2.4 Suspenzije, kočnice, točkovi i gume

SUSPENZIJE:

Prednji dio: parabolične lisnate opruge, sa gumenim branicima i teleskopskim hidrauličnim amortizerima dvostrukog dejstva. Ugrađena šipka protiv prevrtanja.

Pozadi: parabolične lisnate opruge, sa teleskopskim hidrauličnim amortizerima dvostrukog dejstva. Ugrađena šipka protiv prevrtanja.

KOČNICE:

Radna kočnica: Disk kočnice naprijed i pozadi, sa hidrauličnim čeljustima i pneumo-hidrauličnim pretvaračima. Tri nezavisne sekcije vazdušne kočnice.

ABS sa 4-kanalnom elektronskom kontrolnom jedinicom i EBL sistemima.

Parking i kočnica za slučaj nužde: pneumatski se aktivira na zadnjim točkovima pomoću opružnih cilindara.

Pomoćna parkirna kočnica: pneumatski aktivirana na prednjim točkovima. Može se uključiti tek nakon aktiviranja parkirne kočnice. Omogućava produženo stajanje na nagibima do 60%. Pneumatski sistem: sistem se napaja kompresorom koji dovodi potrebnu količinu komprimovanog vazduha u sistem preko APU razvodnika-sušara. Vazduh se skladišti u odgovarajućim rezervoarima i odvodi prema potrebi kočionog sistema vozila i komunalnih usluga.

TOČKOVI I GUME:

Prednji dio: 14,00 R 20 bez cijevi sa terenskim uzorkom

Pozadi: 14,00 R 20 bez cijevi sa terenskom šarom

Felge: čelične felne 10.00-20 naprijed i pozadi.

Rezervni točak 14.00 R20 montiran na vozilo.

Runflat VFI sistem na svim točkovima. Vozilo u konfiguraciji sa punim opterećenjem, sa jednom ili dvije pneumatike , može da pređe put ukupne razdaljine bez da se guma slepi sa točka ili da se zapali i bez ozbiljnog uticaja na upravljanje, manevrisanje , stabilnost, kočenje i održavanje brzina pod sledećim uslovima:

- 50 km na putu (3 km pri maksimalnoj brzini; 10 km pri 50 km/h konstantna brzina; 37 km pri 25 km/h)
- putujte van puta 2 sata brzinom od približno 20 km/h, a da guma ne napusti felge ili da se zapali.

IVECO M170.33VM za MO CG će biti opremljen centralnim sistemom za naduvavanje guma - CTIS sa unutrašnjim vazdušnim kanalima. Omogućava vozaču da prilagodi pritisak u gumama (i kada se vozilo kreće) kako bi imao optimalan otisak na bilo kom terenu. Sistem takođe omogućava različite pritiske između prednjih i zadnjih točkova. Sistem se puni komprimovanim vazduhom za postepeno podešavanje pritiska u gumama i potpuno se kontroliše iz unutrašnjosti kabine pomoću kontrolne table.

2.5 Šasija i okvir

Okvir se sastoji od uzdužnih glavnih greda od specijalnog kovanog čelika sa „C“ presjekom, povezanih zakovnim ili uvrtnim poprečnim nosačima. Prednji čelični branik.

Slijede podaci za bočne elemente (sparove):

Debljina bočnih elemenata	(mm) 8
Maksimalna visina bočnih nosača	(mm) 300
Širina prirubnice bočnih elemenata	(mm) 7 5

2.6 Kuka za vuču i vitlo

Svi IVECO M170.33VM opremljeni su sledećim kukama, prema STANAG 4101 Ed. 2: Prednji klin (samo za manevrisanje, nije pogodan za vuču).

Dvije prednje ušice za vuču (okovi).

Zadnja kuka za vuču, sa automatskom bravom, serija UN966.

Dvije zadnje ušice za vuču (okovi).

U skladu sa sledećim paragrafom 7, neki kamioni će biti opremljeni hidrauličnim vitlom postavljenim na desnoj strani šasije za potrebe vuče i za samoizvlačenje neopterećenog vozila. Vitlo se pokreće od PTO šasije pomoću odgovarajuće hidraulične pumpe, rezervoara za hidrauličko ulje i hidrauličnog kola.

Predstave vitla su sledeće:

- Maksimalna vučna sila jedne linije (na 1. sloju): 10000 kg;
- Povlačenje jedne linije pozadi vozila;
- Promenljive brzine oporavka i kapaciteti povlačenja prema sloju kao što je prikazano u tabeli ispod:

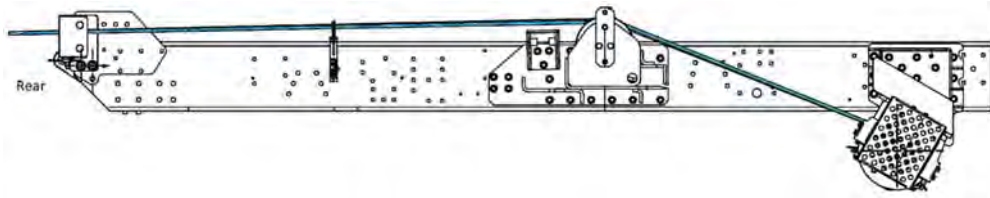
Layer of Wire Rope	Pull by Layer kg
1 st	10,000
2 nd	8,343
3 rd	7,157
4 th	6,267
5 th	5,573
6 th	5,018

Slika #1

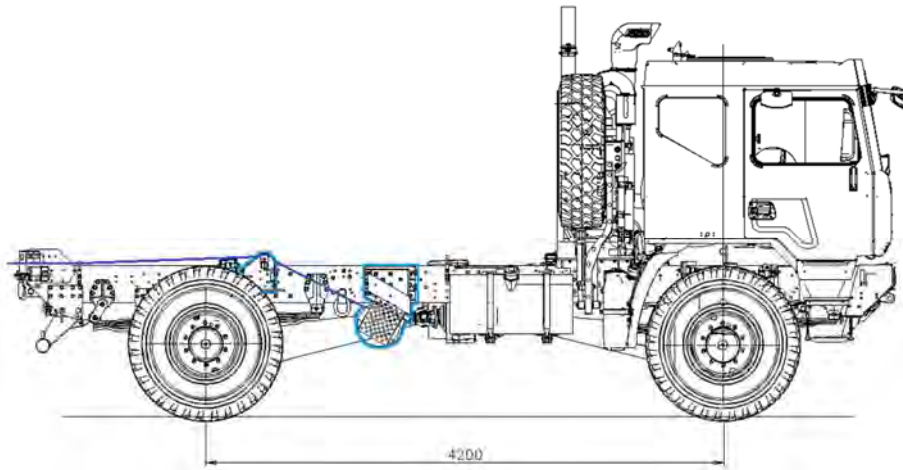
Glavne karakteristike vitla su sledeće:

- Planetarni zupčasti vitlo;
- Protok ulja 60 l/min pri radnom pritisku od 200 bara;
- Kočnica sa više diskova i protivtežni ventil;
- Roler i zatezač kabla;
- Čelična žičana užad pocinkovana c/v kuka/naprstak;
- Dužina užeta na bubnju ≥ 60 m;
- Prečnik užeta 14 mm;
- Kabl za daljinsko upravljanje dužine 10 m;
- Dugme za hitno zaustavljanje blizu vitla i na daljinskom upravljaču;
- Vodilica za premotavanje kabla na bubanj;
- Horizontalne/vertikalne vođice i remenice duž okvira šasije;
- Komplet neophodne opreme/kuka za pravilan rad;
- Pribor: 1 br. ugrabiti blok i 1 br. štitnik stabla dužine 4 m.

Instalacija vitla prema sledećim opštim rasporedima (ne obavezujući, podložni su pregledu) pogledajte slike #2 i #3:



Slika #2



Slika #3

2.7 Električni i sistem za gorivo

ELEKTRIČNI SISTEM:

Nazivni napon: 24 V

Baterije: 4k 12V, 110 Ah (ukupno 220 Ah)

Alternator: 28 V – 150 A

Starter: 24 V – 4,5 kW

Glavni strujni relej i eksterna utičnica za hitno pokretanje i punjenje akumulatora (prema STANAG 4074 Ed. 3) (uključujući set kablova za pokretanje)

7-polni zglob (ISO 7638) za ABS prikolice

12-polni spoj (STANAG 4007 Ed. 2) za osvetljenje prikolice

EMC u skladu sa MIL-STD-461C specifikacijom.

Oprema za normalno i Blackout osvetljenje kao što slijedi:

Standardna prednja svjetla (pozicija kratkog i dugog), prednja zatamnjena i prednja poziciona svjetla (STANAG 4381 Ed. 1 ili ekvivalentno)

Prednji i bočni pokazivači pravca

Zaštitne rešetke prednjih farova

Zadnja i kočiona svjetla, pokazivači pravca (zadnja i kočiona svjetla sa sistemom zatamnjenja)

Svjetlo za registarsku tablicu

Zadnji reflektori

Zadnje svjetlo za maglu i zadnje svjetlo za vožnju unazad

Prednja, zadnja i bočna gabaritna svjetla

SISTEM GORIVA:

Čelični rezervoar za gorivo kapaciteta 400 litara, montiran sa strane, sa pokazivačem nivoa i rezervom.

2.8 Cargo Area

Teretni prostor za transport materijala, sklonište tipa UEO 2 ili kontejner tipa ISO 10'.

Platforma od čelične ploče; 1 fiksna prednja vrata od visokog čelika; 2+2 bočne šine koje se mogu otvoriti plus rukohvat, sklopivi od vrha do dna i uklonjivi; 2+2 bočne šine koje se mogu ukloniti po strani; 1 zadnja vrata prtljažnika, sklopiva od vrha do dna i mogu se ukloniti; merdevine/pristupne stepenice pričvršćene za zadnja vrata prtljažnika.

Opremljen sa demontažnim i prenosivim rebrima na šasiji, jednom ceradom koja se može namotati u stranu, tri podupirača luka od cerade za pričvršćivanje zadnje kabine. Opremljen bočnim klupama za prevoz najmanje 16 osoba.

Omogućava pričvršćivanje ISO 10' kontejnera preko 4 okretne brave.

3. IVECO MODEL M250.40 VM (SM 66.40 6k6) TRANSPORT

Konfiguracija M250.40 VM (SM 66.40 6k6) vozila za MO CG je opisana u sledećim paragrafima. IVECO M250.40 VM je šasija za sve terene visoke mobilnosti sa prednjom osovinom sa jednim točkovima, zadnjom osovinom sa jednim točkovima i stalnim pogonom na sve točkove .

Integracija sve opreme i sistema (uključujući odredbe) koji su dio vojnih logističkih vozila MNE-MO biće kvalifikovana u skladu sa IVECO Procesom kvalifikacije za odbrambena vozila.

3.1 Dimenzije i mase

Dimenzije i mase IVECO M250.40VM koje će biti dostavljene MO CG su navedene u nastavku:

DIMENZIJE

Međuosovinsko rastojanje:	3750 mm + 1450 mm
Prednji prepust:	1375 mm
Zadnji prepust:	1405 mm
Širina šasije:	2550 mm mak
Ugao pristupa:	4 2°
Ugao odlaska:	40° (sa preklopljenim zadnjim podvozjem, položaj van puta)
Klirens:	4 20 mm
Ø okretanja između zidova:	2 0,0 m (radijus okretanja 10,0 m)

MASE

Zakonska težina:	26000 kg
Maksimalna dozvoljena osovinska opterećenja	
Prednja osovina:	9000 kg
Zadnje osovine:	19000 kg
Procjena težine vozila:	
Ukupna težina praznog vozila:	117 00 kg (uključujući posadu i gorivo)
Nosivost vozila:	8400 kg (odnosi se na zakonski GVV)

3.2 Motor i performanse

IVECO M250.40VM je opremljen sa turbopunjačem, interkuler 4-taktnim dizel sistemom sa direktnim ubrizgavanjem vodeno hlađenje IVECO F3B Cursor 13 motorom. Motor ima 410 KS, nivo emisije EURO 5.

- Broj cilindara 6 u redu
- Pomjeraj 12.882 cm³
- Hod 150 mm
- Otvor 135 mm
- Maksimalna snaga 300 kW (410 KS) pri 1900 o/min
- Maksimalni obrtni moment 1900 Nm pri 1500 o/min

Maksimalna brzina IVECO M250.40VM elektronski je ograničen. U nastavku su prikazane performanse modela MO CG, koje se odnose na vozilo u potpuno opterećenom stanju:

Maksimalna brzina na ravnoj popločanoj površini:	85 km/h sa elektronskim ograničavačem brzine
Mogućnost gradijenta:	60%
Mogućnost bočnog nagiba:	30%
Mogućnost prelaska:	1200 mm
Specifična snaga motora:	11,76 kW/t (odnosi se na zakonski 6k6 GVV)
Maksimalni domet goriva:	600 km (prema CUNA NC003-01 pri brzini od 60 km/h na ravnom asfaltiranom putu)
Opseg radne temperature:	-32°C +49°C

3.3 Mjenjač, prenosno kućište i osovine

Automatski mjenjač sa pretvaračem obrtnog momenta, Allison 4500SP, 6 brzina naprijed + 1 nazad, Integrirani retarder.

IVECO prenosna kutija sa dva prenosna odnosa (normalni i smanjeni). Grupa reduktor-razdjelnik se sastoji od niza cilindričnih spiralnih zupčanika sa konstantnom mrežom. Može se zaključati pneumatskom kontrolom iz unutrašnjosti kabine.

Parametri osovine su:

Prednja osovina: IVECO noseća pogonska osovina, upravljiva, sa duplom redukcijom, centralna sa konusnim zupčanicom, u glavčinama točkova sa planetarnim zupčanicom. Diferencijal između točkova koji se može zaključati.

Zadnja tandem osovina: IVECO noseća tandem osovina, sa dvostrukom redukcijom, centralna sa konusnim zupčanicom, u glavčinama točkova sa planetarnim zupčanicom. Razdjelnik između osovina koji se može zaključati pneumatskom kontrolom. Diferencijal između točkova koji se može zaključati.

3.4 Suspenzije, kočnice, točkovi i gume

SUSPENZIJE:

Prednja osovina: parabolične lisnate opruge, sa gumenim branicima i teleskopskim hidrauličnim amortizerima dvostrukog dejstva. Ugrađena šipka protiv prevrtanja.

Zadnje osovine: parabolične obrnute lisnate opruge, koje zajedno djeluju na dvije osovine zadnjeg boogie-a, osciluju oko centralnog klina, integrisane sa trouglastim reakcionim šipkama.

KOČNICE:

Radna kočnica: Disk kočnice naprijed i pozadi, sa hidrauličnim čeljustima i pneumo-hidrauličnim pretvaračima. Tri nezavisne sekcije vazdušne kočnice.

ABS sa 4-kanalnom elektronskom kontrolnom jedinicom i EBL sistemima.

Parking i kočnica za slučaj nužde: pneumatski aktivirana na zadnjim točkovima pomoću opružnih cilindara

Pomoćna parkirna kočnica: pneumatski aktivirana na prednjim točkovima. Može se uključiti tek nakon aktiviranja parkirne kočnice. Omogućava produženo stajanje na nagibima do 60%. Pneumatski sistem: sistem se napaja kompresorom koji dovodi potrebnu količinu komprimovanog vazduha u sistem preko APU razvodnika-sušara. Vazduh se skladišti u odgovarajućim rezervoarima i odvodi prema potrebi kočionog sistema vozila i komunalnih usluga.

TOČKOVI I GUME:

Prednji dio: 14,00 R 20 bez cijevi sa terenskim uzorkom

Pozadi: 14,00 R 20 bez cijevi sa terenskom šarom

Felge: čelične felne 10.00-20 naprijed i pozadi.

Rezervni točak 14.00 R20 montiran na vozilo.

Runflat VFI sistem na svim točkovima . Vozilo u konfiguraciji sa punim opterećenjem, sa jednom ili dvije pneumatike , može da pređe put ukupne razdaljine bez da se guma slepi sa točka ili da se zapali i bez ozbiljnog uticaja na upravljanje, manevrisanje , stabilnost, kočenje i održavanje brzina pod sledećim uslovima:

- 50 km na putu (3 km pri maksimalnoj brzini; 10 km pri 50 km/h konstantna brzina; 37 km pri 25 km/h)
- putujte van puta 2 sata brzinom od približno 20 km/h, a da guma ne napusti felge ili da se zapali.

IVECO M250.40VM za MO CG će biti opremljen centralnim sistemom za naduvavanje guma - CTIS sa unutrašnjim vazdušnim kanalima. Omogućava vozaču da prilagodi pritisak u gumama (i kada se vozilo kreće) kako bi imao optimalan otisak na bilo kom terenu. Sistem takođe omogućava različite pritiske između prednjih i zadnjih točkova. Sistem se puni komprimovanim vazduhom za postepeno podešavanje pritiska u gumama i potpuno se kontroliše iz unutrašnjosti kabine pomoću kontrolne table.

3.5 Šasija i okvir

Okvir se sastoji od uzdužnih glavnih greda od specijalnog kovanog čelika sa „C“ presjekom, spojenih zakovicama ili zavrtnjima. Prednji čelični branik.

Slijede podaci za bočne elemente (sparove):

Debljina bočnih elemenata	(mm) 8
Maksimalna visina bočnih nosača	(mm) 300
Širina prirubnice bočnih elemenata	(mm) 75

3.6 Kuka za vuču i vitlo

Svi IVECO M250.40VM opremljeni su sledećim kukama, prema STANAG 4101 Ed. 2: Prednji klin (samo za manevrisanje, nije pogodan za vuču).

Dvije prednje ušice za vuču (okovi).

Zadnja kuka za vuču, sa automatskom bravom, serija UN966

Dvije zadnje ušice za vuču (okovi).

U skladu sa sledećim paragrafom 7, neki kamioni će biti opremljeni hidrauličnim vitlom postavljenim na desnoj strani šasije za potrebe vuče i za samoizvlačenje neopterećenog vozila. Vitlo se pokreće od PTO šasije pomoću odgovarajuće hidraulične pumpe, rezervoara za hidrauličko ulje i hidrauličnog kola.

Predstave vitla su sledeće:

- Maksimalna vučna sila jedne linije (na 1. sloju): 10000 kg;
- Povlačenje jedne linije pozadi vozila;
- Promenljive brzine oporavka i kapaciteti povlačenja prema sloju kao što je prikazano u tabeli ispod:

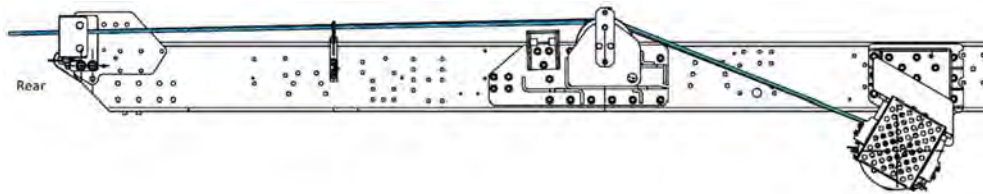
Layer of Wire Rope	Pull by Layer kg
1 st	10,000
2 nd	8,343
3 rd	7,157
4 th	6,267
5 th	5,573
6 th	5,018

Slika #1

Glavne karakteristike vitla su sledeće:

- Planetarni zupčasti vitlo;
- Protok ulja 60 l/min pri radnom pritisku od 200 bara;
- Kočnica sa više diskova i protivtežni ventil;
- Roler i zatezač kabla;
- Čelična žičana užad pocinkovana c/v kuka/naprstak;
- Dužina užeta na bubnju ≥ 60 m;
- Prečnik užeta 14 mm;
- Kabl za daljinsko upravljanje dužine 10 m;
- Dugme za hitno zaustavljanje blizu vitla i na daljinskom upravljaču;
- Vodilica za premotavanje kabla na bubanj;
- Horizontalne/vertikalne vođice i remenice duž okvira šasije;
- Komplet neophodne opreme/kuka za pravilan rad;
- Pribor: 1 br. ugrabiti blok i 1 br. štitnik stabla dužine 4 m.

Instalacija vitla prema sledećim opštim rasporedima (bez obaveza, podložno pregledu) vidjeti sliku br. 2.



Slika #2

3.7 Električni i sistem za gorivo

ELEKTRIČNI SISTEM:

Nazivni napon: 24 V

Baterije: 4k 12V, 110 Ah (ukupno 220 Ah)

Alternator: 28 V – 150 A

Starter: 24 V – 4,5 kV

Glavni strujni relej i eksterna utičnica za hitno pokretanje i punjenje akumulatora (prema STANAG 4074 Ed. 3) (uključujući set kablova za pokretanje)

7-polni zglob (ISO 7638) za ABS prikolice

12-polni spoj (STANAG 4007 Ed. 2) za osvjtljenje prikolice

EMC u skladu sa MIL-STD-461C specifikacijom.

Oprema za normalno i Blackout osvjtljenje kao što slijedi:

Standardna prednja svjetla (pozicija kratkog i dugog), prednja zatamnjena i prednja poziciona svjetla (STANAG 4381 Ed. 1 ili ekvivalentno)

Prednji i bočni pokazivači pravca

Zaštitne rešetke prednjih farova

Zadnja i kočiona svjetla, pokazivači pravca (zadnja i kočiona svjetla sa sistemom zatamnjenja)

Svjetlo za registarsku tablicu

Zadnji reflektori

Zadnje svjetlo za maglu i zadnje svjetlo za vožnju unazad

Prednja, zadnja i bočna gabaritna svjetla

SISTEM GORIVA:

300 litara , montiran sa strane, sa pokazivačem nivoa i rezervom

Uključeno je sito za gorivo u grlu za punjenje.

3.8 Cargo Area

Teretni prostor za transport materijala. Platforma od čelične ploče; 1 fiksna prednja vrata od visokog čelika; 2+2 bočne šine koje se mogu otvoriti plus rukohvat, sklopivi od vrha do dna i uklonjivi; 2+2 bočne šine koje se mogu ukloniti po strani; 1 zadnja vrata prtljažnika, sklopiva od vrha do dna i mogu se ukloniti; merdevine/pristupne stepenice pričvršćene za zadnja vrata prtljažnika.

Opremljen sa demontažnim i prenosivim rebrima na šasiji, jednom ceradom koja se može namotati u stranu, tri podupirača luka od cerade za pričvršćivanje zadnje kabine. Opremljen sa klupama sa strane karoserije za prevoz ljudi.

4. IVECO EUROCARGO MLL150E28VS REZERVOAR GORIVA 7000 L KONFIGURACIJA

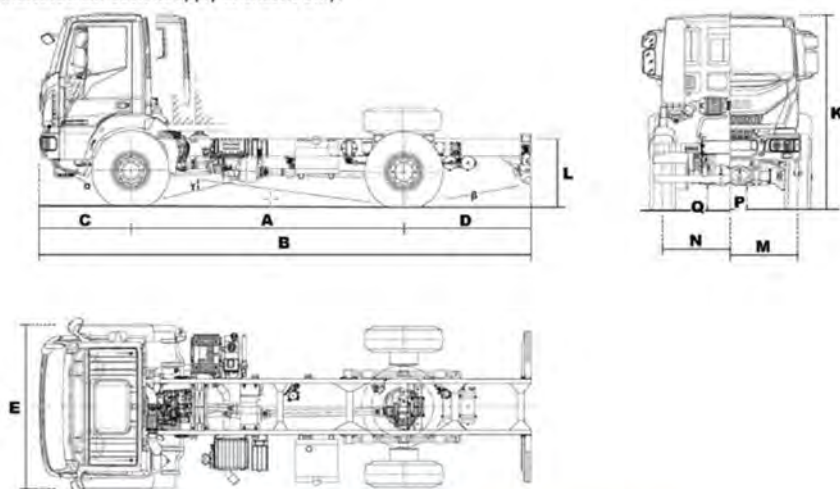
Konfiguracija vozila IVECO EUROCARGO MLL150E28VS u konfiguraciji rezervoara za dizel gorivo za MO CG je opisana u sledećim paragrafima. IVECO EUROCARGO MLL150E28VS je vozilo sa stalnim pogonom 4k4, volan na lijevoj strani, duga kabina, prednji motor, napredna vozačka kabina, manuelni mjenjač, ADR FL oprema, prednja upravljačka osovina sa jednim točkom, zadnja osovina sa jednim točkom, pogodna za teške uslove rada. rad na putu i van puta.

Integracija sve opreme i sistema (uključujući odredbe) koji su dio vojnih logističkih vozila MNE-MO biće kvalifikovana u skladu sa IVECO Procesom kvalifikacije za odbrambena vozila.

4.1 Dimenzije i mase

Dimenzije i mase IVECO EUROCARGO MLL150E28VS koje će biti dostavljene MO CG su prikazane na slici br. 1 i br. 2:

Indicated dimensions apply to chassis only:



Wheelbase	A	3.690
Max chassis length	B	6.440
Front overhang	C	1.387
Rear overhang	D	1.358
Overall width (over wings cab)	E	2.490
Overall width (over muffler)	E1	2.314
Overall width (rear tyres)	E2	2.435
Overall Cab height (unladen)	K	3.091
Front axle to front of the body	H	985
Turning circle (kerb to kerb)		15.960
Turning circle (wall to wall)		14.900
Frame height (end of frame) (unloaded)	L	1.334
Front track	M	2.055
Rear track	N	2.045
Ground clearance under diff (front/rear)	P / Q	>400/>400
Frame width at rear		852

All dimensions are in mm with 14.00R20 tyres.

Slika #1

Weights are referred to standard configuration and include: chassis cab, driver (75 kg), full fuel tank (200 l), tool kit and spare wheel. Values in kg.

Total vehicle kerb weight	5925
Kerbweight on Front Axle	3965
Kerbweight on Rear Axle	1960
G.V.W. (EC)	15000
Plated weight on front axle (EC)	5700
Plated weight on rear axle(s) (EC)	10000
Max body & payload (Design)	9075

Slika #2

4.2 Motor i performanse

IVECO EUROCARGO MLL150E28VS je opremljen Common-rail direktnim ubrizgavanjem, turbopunjačem, interkulerom i motorom Tector 6 sa vodenim hlađenjem. Motor ima 275 KS sa nivoom emisije deklarisanim na nivou EURO 3.

- Broj cilindara 6 u redu
- Ukupna zapremina 5.880 cm³
- Hod 102 mm
- Otvor 120 mm
- Maksimalna snaga 202 kW (275 KS) pri 2500 o/min
- Maksimalni obrtni moment 930 Nm pri 1250 o/min

Maksimalna brzina IVECO EUROCARGO MLL150E28VS je elektronski ograničena. Na slici br. 3 prikazane su performanse modela za MO CG

Maximum speed at GVW on flat surface (km/h with electronic speed limiter)	90
Maximum climbable (front) gradient	31° (60%)
Maximum side slope (without superstructure)	26° (58%)
Approach angle	31°
Departure angle	16°
Max fording depth [mm]	750
Cruising range at GVW (on paved road, on flat surface at 67 km/h) [km]	> 800
Temperature range:	-20°C / +49°C

Slika #3

IVECO turbo brake motorna kočnica.

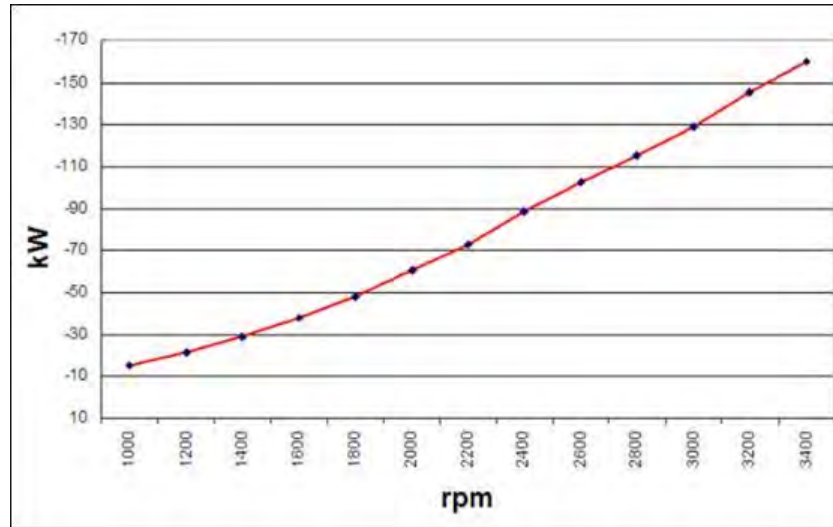
Tector motori instalirani na Eurocargo opremljeni su leptir ventilom u izduvnom razvodniku radi poboljšanja standardnih performansi kočnice motora. Pomenuti ventil povećava povratni pritisak izduvnih gasova, čime se povećava snaga kočenja motora.

Funkcija se može kontrolisati pomoću ručice na volanu sa dva načina rada:

- 1- Samo pritiskom na pedalu kočnice.
- 2- Otpuštanjem pedale gasa, nezavisno od rada pedale kočnice.

Ova funkcija smanjuje zamor vozača izbjegavajući upotrebu pedale kočnice za usporavanje vozila i smanjuje habanje kočnica i kočionih pločica.

Motorna kočnica je efikasna iznad 1000 o/min motora prema krivi prikazanoj na slici #4:

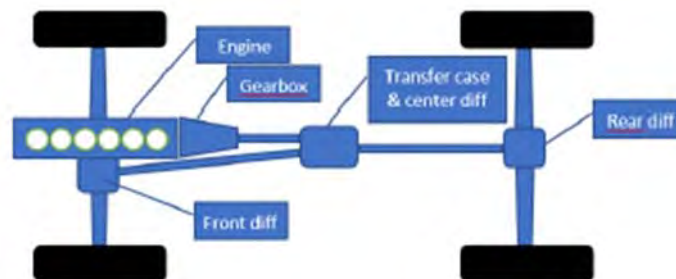


Slika #4

4.3 Mjenjač, prenosno kućište i osovine

IVECO EURO CARGO MLL150E28VS ima ručni ZF mjenjač tipa ZF 6S 1000 TO: šest sinhronizovanih brzina naprijed plus jedna unazad. Nema intarder /retarder.

Kućište kamiona je IVECO TC 1100 koji se ugrađuje na šasiju, nezavisno od mjenjača. Trajni pogon 4k4 sa uzdužnim diferencijalom. Dva odnosa: na putu (1:0,99) i van puta (1:1,94). Raspodjela obrtnog momenta: 33% naprijed, 67% pozadi. Uzdužni diferencijal može da se zaključa za tešku upotrebu van puta (šema na slici br. 5)



Slika #5

Parametri osovine su:

Prednja osovina: Iveco 5956. Kruta, redukcija glavčine. Odnos osovina: 5,326. Diferencijalna blokada.

Zadnja osovina: Iveco 451146/1. Redukcija čvorišta. Odnos osovina: 5,326. Diferencijalna blokada.

4.4 Suspenzije, kočnice, točkovi i gume

SUSPENZIJE:

Prednji dio: ojačane parabolične lisnate opruge sa jednom fleksibilnošću, integrisane sa dva elastična čepa i teleskopskim hidrauličnim amortizerima dvostrukog dejstva.

Pozadi: Parabolične lisnate opruge sa jednom fleksibilnošću.

Anti-roll šipka na prednjoj i zadnjoj osovini.

KOČNICE:

Dva nezavisna pneumatska kola.

ABS i EBL sistemi.

Doboš kočnice prednje i zadnje osovine.

Prečnik: 381 mm

Širina: 178 mm

Servis i hitna pomoć: pneumatski na svim točkovima.

Parking: mehanički tip sa oprugom i pneumatskim upravljanjem na zadnjim osovinama.

Motorna kočnica IVECO FPT na izduvnom sistemu.

TOČKOVI I GUME:

Prednji: 14,00 R 20 jednostruko montiran

Pozadi: 14,00 R 20 jednostruko montiran

Tip diska 20-10.00V, montiran pojedinačno na prednjoj i zadnjoj osovini.

Jedan rezervni točak 14,00 R 20" montiran na nadgradnju.

Runflat VFI sistem na svim točkovima . Vozilo u konfiguraciji sa punim opterećenjem, sa jednom ili dvije pneumatike , može da pređe put ukupne razdaljine bez da se guma slepi sa točka ili da se zapali i bez ozbiljnog uticaja na upravljanje, manevrisanje , stabilnost, kočenje i održavanje brzina pod sledećim uslovima:

- 50 km na putu (3 km pri maksimalnoj brzini; 10 km pri 50 km/h konstantna brzina; 37 km pri 25 km/h)
- putujte van puta 2 sata brzinom od približno 20 km/h, a da guma ne napusti felge ili da se zapali.

4.5 Šasija i okvir

Izrađen od čelika visoke čvrstoće sa bočnim elementima u obliku slova „C“ koji su povezani vijcima i zakovicama.

Slijede podaci za bočne elemente (sparove):

Debljina bočnih elemenata (mm) 6

Maksimalna visina bočnih nosača (mm) 252

Širina prirubnice bočnih elemenata (mm) 70

4.6 Kuka za vuču i vitlo

Svi IVECO EURO CARGO MLL150E28VS su opremljeni sa automatskom spojnicom za vuču Ringfeder tip K4D pogodnom za povezivanje sa ušicama vučne vule 76 mm. Vitlo neće biti instalirano na model koji je odabrao MO CG.

4.7 Električni i sistem za gorivo

ELEKTRIČNI SISTEM:

Napon: 24 V

Baterije: 2x 12V, 143 Ah

Alternator: 28 V – 90 A

Starter: 24 V – 4 kV

Glavni prekidač mehaničkih baterija.

NATO slave starter utičnica

Sistem zatamnjenja osvjjetljenja (prednja, zadnja i konvojska svjetla)

SISTEM GORIVA:

Čelični rezervoar za gorivo nominalnog kapaciteta 200 litara sa indikatorom nivoa i filterom;

Filter za separator vode, providan za lakšu inspekciju.

4.8 Rezervoar za gorivo

Rezervoar za gorivo od 7000 litara, specifičan za dizel, instaliran na MLL 150 E 28 VS, međuosovinsko rastojanje 3.690 mm, duga kabina, ima ove glavne stavke:

- Ukupan kapacitet: 7.350 litara cca. uključujući 4% zapremine ekspanzije. Neto kapacitet: 7.000 litara.
- Podjela u jednom (1) odjeljku.
- Poprečni presjek oblika kutije omogućava najniži centar gravitacije.
- Materijal: nerđajući čelik AISI304.
- Debljina školjke, pregrada i krajeva 4 mm.
- Automatsko elektrolučno zavarivanje, MAG sistem sa završnim rendgenskim testom.
- rendgenski test.
- Unutrašnji armaturni prstenovi od čeličnog profila "T". Pregrade punog presjeka protiv prskanja prema ADR-u.
- Jedan 500 mm. šaht prečnika, sa poklopcem u kompletu sa otvorom za brzo punjenje od 10", ADR sigurnosnim ventilom, pneumatskim uređajem za sprečavanje prepunjavanja i vođicom mjerne šipke.
- Nožni ventil za balansiranje pritiska DN 100 sa pneumatskim upravljanjem povezan sa uređajem za sprečavanje prepunjavanja.
- Gravitacioni ispusni cjevovod opremljen 3" sa jednim izlazom u kompletu sa 3" zasunkom ili kugličnim ventilom sa poklopcem za prašinu i lancem.
- Zadnje merdevine protiv klizanja od nerđajućeg čelika za pristup šahtu

- Šetalište na vrhu od aluminijumske rešetke otporne na varničenje sa rukohvatom na sklapanje.
- N. 2 gornje zaštite prema ADR standardu.
- Br. 2 spoljni nosači crijeva sa malim otvorima prečnika 150 mm. 2,2 m dužine cca.
- Br. 2 fleksibilna crijeva sa brzim spojnicama od 3" dužine 2 m cca.
- Regulacioni sistem za elektrostatička naelektrisanja sa uzemljenjem bakra sa svake strane.
- Bakarna veza između rezervoara i šasije za električni kontinuitet.
- Mjerni štap sa skalom i tabelom za kalibraciju.

Imaće specijalno dizajniranu konstrukciju od ugljeničnog čelika bez torzije koja se sastoji od: potpornih sedla od mekog čelika zavarenih za rezervoar i pričvršćenih na "C" profil pomoću fleksibilnih veza za oscilovanje rezervoara.

Sistem za pumpanje i doziranje biće smješten na prednjoj strani šasije zaštićen ormanom sa osvijetljenjem za noćne operacije i biće podešen za mjerenje dizela.

Biće opremljen sa:

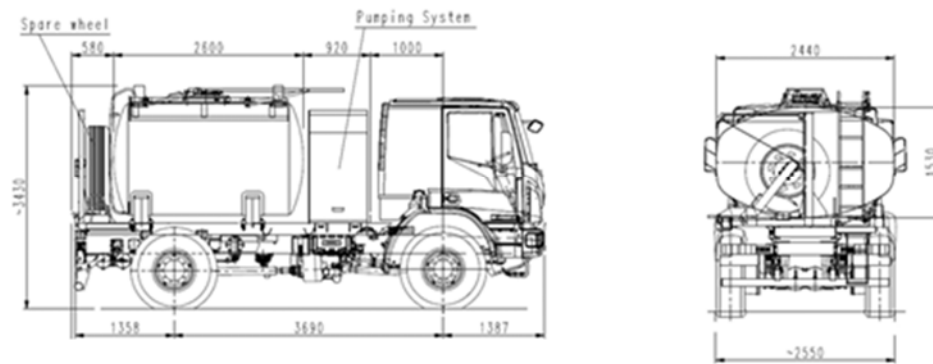
- Izvod snage (isporučuje IVECO tip ZF NH/4C za primjenu pumpe) pričvršćen za mjenjač vozila kojim upravlja prekidač u kabini zajedno sa odgovarajućim indikatorom.
- Kompletan hidraulični pogon.
- Pozitivna pumpa SAMPI 2,5" sa ATEKS sertifikatom.
- Filter.
- Mjerač zapremine SAMPI u kompletu sa eliminatorom vazduha, filterom, mehaničkim brojačem glave.
- Kuglasti ili zasun ventili za rad povratnog toka.
- Kolut za crijevo u kompletu sa automatskim premotavanjem.
- Fleksibilno crijevo \varnothing 25 mm L = 10 m.
- Mlaznica za doziranje.
- Pločica sa uputstvima za rad.
- Kontrolna tabla sa hidrauličnim manometrom.
- Kontrola uključivanja pumpe.

Izvršne operacije će biti:

- Top loading.
- Istovar rezervoara gravitacijom.
- Donje punjenje sa uređajem za sprečavanje prepunjavanja.
- Istovar rezervoara sa pumpom i mjeracom pri 500 L/min.
- Istovar rezervoara sa pumpom, mjeracom i koturom za crijevo pri 100-120 L/min.
- Punjenje pumpom iz spoljnih izvora.
- Automatsko punjenje.
- Transfer.

Slika #6 prikazuje indikativni crtež konfiguracije vozila MLL150E28VS u konfiguraciji dizel cisterne.

Only for reference, not binding



Slika #6

5. IVECO MODEL M170.33VM (SM 44.31 4k4) REZERVOAR ZA DIZEL 6000 L

Konfiguracija vozila IVECO M170.33VM (SM 44.31 4k4) za MO CG je opisana u sledećim paragrafima. IVECO M170.33VM je šasija za sve terene visoke mobilnosti sa prednjom osovinom sa jednim točkovima, zadnjom osovinom sa jednim točkovima i stalnim pogonom na sve točkove .

Integracija sve opreme i sistema (uključujući odredbe) koji su dio vojnih logističkih vozila MNE-MO biće kvalifikovana u skladu sa IVECO Procesom kvalifikacije za odbrambena vozila.

5.1 Dimenzije i mase

Dimenzije i mase IVECO M170.33VM (SM 44.31 4k4) koje će biti dostavljene MO CG su navedene u nastavku:

DIMENZIJE

Međuosovinsko rastojanje:	4200 mm
Prednji prepust:	1375 mm
Zadnji prepust:	1800 mm
Širina šasije:	2550 mm mak
Ugao pristupa:	42°
Ugao odlaska:	30° (sa preklopljenim zadnjim podvozjem, položaj van puta)
Klirens:	420 mm
Ø okretanja između zidova:	18,0 m (radijus okretanja 9,0 m)
Tolerancija na a/m vrijednosti	± 5%

MASE

Zakonska težina:	18000 kg
Maksimalna dozvoljena osovinska opterećenja	
Prednja osovina:	9000 kg
Zadnja osovina:	10000 kg
Procjena težine vozila:	
Ukupna težina praznog vozila:	9300 kg (uključujući posadu i gorivo)
Tolerancija na a/m vrijednosti	± 5%

5.2 Motor i performanse

IVECO M170.33VM je opremljen sa turbopunjačem, interkuler 4-taktnim dizel sistemom direktnog ubrizgavanja sa vodenim hlađenjem IVECO F2B Cursor 8 motorom. Motor ima 330 KS, nivo emisije EURO 5.

- Broj cilindara 6 u redu
- Ukupna zapremina 7.790 cm³
- Hod 125 mm
- Otvor 115 mm
- Maksimalna snaga 245 kW (330 KS) pri 2400 o/min
- Maksimalni obrtni moment 1300 Nm pri 1685 o/min

Maksimalna brzina IVECO M170.33VM elektronski je ograničen. U nastavku su prikazane performanse modela za MO CG

Maksimalna brzina na ravnoj popločanoj površini:	85 km/h sa elektronskim ograničavačem brzine
Mogućnost gradijenta:	60% (30°)
Mogućnost bočnog nagiba:	30% (17°)
Sposobnost prelaska:	1200 mm
Specifična snaga motora:	13,6 kW/t (odnosi se na zakonski 4k4 GVV)
Maksimalni domet goriva:	800 km (prema CUNA NC003-01 pri brzini od 55 km/h na ravnom asfaltiranom putu)
Opseg radne temperature:	-32°C +49°C

5.3 Mjenjač, prenosno kućište i osovine

Automatski mjenjač sa pretvaračem obrtnog momenta, Allison 3500SP, 6 brzina naprijed + 1 nazad, Integrirani retarder.

IVECO prenosna kutija sa dva prenosna odnosa (normalni i smanjeni). Grupa reduktor-razdjelnik se sastoji od niza cilindričnih spiralnih zupčanika sa konstantnom mrežom. Može se zaključati pneumatskom kontrolom iz unutrašnjosti kabine.

Parametri osovine su:

Prednja osovina: IVECO-FPT noseća pogonska osovina, upravljiva, sa duplom redukcijom, centralna sa konusnim zupčanikom, u glavčinama točkova sa planetarnim zupčanikom. Diferencijal između točkova koji se može zaključati.

Zadnja osovina: IVECO-FPT noseća pogonska osovina, sa dvostrukom redukcijom, centralna sa konusnim zupčanikom, u glavčinama točkova sa planetarnim zupčanikom. Diferencijal između točkova koji se može zaključati.

5.4 Suspenzije, kočnice, točkovi i gume

SUSPENZIJE:

Prednji dio: parabolične lisnate opruge, sa gumenim branicima i teleskopskim hidrauličnim amortizerima dvostrukog dejstva. Ugrađena šipka protiv prevrtanja.

Pozadi: parabolične lisnate opruge, sa teleskopskim hidrauličnim amortizerima dvostrukog dejstva. Ugrađena šipka protiv prevrtanja.

KOČNICE:

Radna kočnica: Disk kočnice naprijed i pozadi, sa hidrauličnim čeljustima i pneumo-hidrauličnim pretvaračima. Tri nezavisne sekcije vazdušne kočnice.

ABS sa 4-kanalnom elektronskom kontrolnom jedinicom i EBL sistemima.

Parking i kočnica za slučaj nužde: pneumatski se aktivira na zadnjim točkovima pomoću opružnih cilindara.

Pomoćna parkirna kočnica: pneumatski aktivirana na prednjim točkovima. Može se uključiti tek nakon aktiviranja parkirne kočnice. Omogućava produženo stajanje na nagibima do 60%.

Pneumatski sistem: sistem se napaja kompresorom koji dovodi potrebnu količinu komprimovanog vazduha u sistem preko APU razvodnika-sušara. Vazduh se skladišti u odgovarajućim rezervoarima i odvodi prema potrebi kočionog sistema vozila i komunalnih usluga.

TOČKOVI I GUME:

Prednji dio: 14,00 R 20 bez cijevi sa terenskim uzorkom

Pozadi: 14,00 R 20 bez cijevi sa terenskom šarom

Felge: čelične felne 10.00-20 naprijed i pozadi.

Rezervni točak 14.00 R20 montiran na vozilo.

Runflat VFI sistem na svim točkovima. Vozilo u konfiguraciji sa punim opterećenjem, sa jednom ili dvije pneumatike , može da pređe put ukupne razdaljine bez da se guma slepi sa točka ili da se zapali i bez ozbiljnog uticaja na upravljanje, manevrisanje , stabilnost, kočenje i održavanje brzina pod sledećim uslovima:

- 50 km na putu (3 km pri maksimalnoj brzini; 10 km pri 50 km/h konstantna brzina; 37 km pri 25 km/h)
- putujte van puta 2 sata brzinom od približno 20 km/h, a da guma ne napusti felge ili da se zapali.

IVECO M170.33VM za MO CG će biti opremljen centralnim sistemom za naduvavanje guma - CTIS sa unutrašnjim vazdušnim kanalima. Omogućava vozaču da prilagodi pritisak u gumama (i kada se vozilo kreće) kako bi imao optimalan otisak na bilo kom terenu. Sistem takođe omogućava različite pritiske između prednjih i zadnjih točkova. Sistem se puni komprimovanim vazduhom za postepeno podešavanje pritiska u gumama i potpuno se kontroliše iz unutrašnjosti kabine pomoću kontrolne table.

5.5 Šasija i okvir

Okvir se sastoji od uzdužnih glavnih greda od specijalnog kovanog čelika sa „C“ presjekom, spojenih zakovicama ili zavrtnjima. Prednji čelični branik.

Slijede podaci za bočne elemente (sparove):

Debljina bočnih elemenata	(mm) 8
Maksimalna visina bočnih nosača	(mm) 300
Širina prirubnice bočnih elemenata	(mm) 75

5.6 Kuka za vuču i vitlo

Svi IVECO M170.33VM opremljeni su sledećim kukama, prema STANAG 4101 Ed. 2:

Prednji klin (samo za manevrisanje, nije pogodan za vuču).

Dvije prednje ušice za vuču (okovi).

Zadnja kuka za vuču, sa automatskom bravom, serija UN966

Dvije zadnje ušice za vuču (okovi).

Vitlo neće biti instalirano na model koji je odabrao MO CG.

5.7 Električni i sistem za gorivo

ELEKTRIČNI SISTEM:

Nazivni napon: 24 V

Baterije: 4k 12V, 110 Ah (ukupno 220 Ah)

Alternator: 28 V – 150 A

Starter: 24 V – 4,5 kV

Glavni strujni relej i eksterna utičnica za hitno pokretanje i punjenje akumulatora (prema STANAG 4074 Ed. 3) (uključujući set kablova za pokretanje)

7-polni zglob (ISO 7638) za ABS prikolice

12-polni spoj (STANAG 4007 Ed. 2) za osvetljenje prikolice

EMC u skladu sa MIL-STD-461C specifikacijom.

Oprema za normalno i Blackout osvetljenje kao što slijedi:

Standardna prednja svjetla (pozicija kratkog i dugog), prednja zatamnjena i prednja poziciona svjetla (STANAG 4381 Ed. 1 ili ekvivalentno)

Prednji i bočni pokazivači pravca

Zaštitne rešetke prednjih farova

Zadnja i kočiona svjetla, pokazivači pravca (zadnja i kočiona svjetla sa sistemom zatamnjenja)

Svjetlo za registarsku tablicu

Zadnji reflektori

Zadnje svjetlo za maglu i zadnje svjetlo za vožnju unazad

Prednja, zadnja i bočna gabaritna svjetla.

SISTEM GORIVA:

Čelični rezervoar za gorivo kapaciteta 400 litara, montiran sa strane, sa pokazivačem nivoa i rezervom.

5.8 Rezervoar za gorivo

Rezervoar za gorivo od 6000 litara, specifičan za dizel, ima sledeće glavne stavke:

- Neto kapacitet: 6.000 litara.

- Podjela u jednom (1) odjeljku.
- Poprečni presjek oblika kutije omogućava najniži centar gravitacije.
- Materijal: nerđajući čelik AISI304.
- Debljina školjke, pregrada i krajeva 4 mm.
- Automatsko elektrolučno zavarivanje, MAG sistem sa završnim rendgenskim testom.
- rendgenski test.
- Unutrašnji armaturni prstenovi od čeličnog profila "T". Pregrade punog presjeka protiv prskanja prema ADR-u.
- Jedan 500 mm. šaht prečnika, sa poklopcem u kompletu sa otvorom za brzo punjenje od 10", ADR sigurnosnim ventilom, pneumatskim uređajem za sprečavanje prepunjavanja i vođicom mjerne šipke.
- Nožni ventil za balansiranje pritiska DN 100 sa pneumatskim upravljanjem povezan sa uređajem za sprečavanje prepunjavanja.
- Gravitacioni ispusni cjevovod opremljen 3" sa jednim izlazom u kompletu sa 3" zasunkom ili kugličnim ventilom sa poklopcem za prašinu i lancem.
- Zadnje merdevine protiv klizanja od nerđajućeg čelika za pristup šahtu
- Šetalište na vrhu od aluminijumske rešetke otporne na varničenje sa rukohvatom na sklapanje.
- N. 2 gornje zaštite prema ADR standardu.
- Br. 2 spoljni nosači crijeva sa malim otvorima prečnika 150 mm. 2,2 m dužine cca.
- Br. 2 fleksibilna crijeva sa brzim spojnicama od 3" dužine 2 m cca.
- Regulacioni sistem za elektrostatička naelektrisanja sa uzemljenjem bakra sa svake strane.
- Bakarna veza između rezervoara i šasije za električni kontinuitet.
- Mjerni štap sa skalom i tabelom za kalibraciju.

Imaće specijalno dizajniranu konstrukciju od ugljeničnog čelika bez torzije koja se sastoji od: potpornih sedla od mekog čelika zavarenih za rezervoar i pričvršćenih na "C" profil pomoću fleksibilnih veza za oscilovanje rezervoara.

Sistem za pumpanje i doziranje biće smješten na prednjoj strani šasije zaštićen ormanom sa osvjetljenjem za noćne operacije i biće podešen za mjerenje dizela.

Biće opremljen sa:

- Izvod snage (isporučuje IVECO tip ZF NH/4C za primjenu pumpe) pričvršćen za mjenjač vozila kojim upravlja prekidač u kabini zajedno sa odgovarajućim indikatorom.
- Kompletan hidraulični pogon.
- Pozitivna pumpa SAMPI 2,5" sa ATEKS sertifikatom.
- Filter.
- Mjerač zapremine SAMPI u kompletu sa eliminatorom vazduha, filterom, mehaničkim brojačem glave.
- Kuglasti ili zasun ventili za rad povratnog toka.
- Kolut za crijevo u kompletu sa automatskim premotavanjem.
- Fleksibilno crijevo $\varnothing 25$ mm L = 10 m.
- Mlaznica za doziranje.
- Pločica sa uputstvima za rad.
- Kontrolna tabla sa hidrauličnim manometrom.
- Kontrola uključivanja pumpe.

Izvršne operacije će biti:

- Top loading.
- Istovar rezervoara gravitacijom.
- Donje punjenje sa uređajem za sprečavanje prepunjavanja.
- Istovar rezervoara sa pumpom i mjeračem pri 500 L/min.
- Istovar rezervoara sa pumpom, mjeračem i koturom za crijevo pri 100-120 L/min.
- Punjenje pumpom iz spoljnih izvora.
- Automatsko punjenje.
- Transfer.

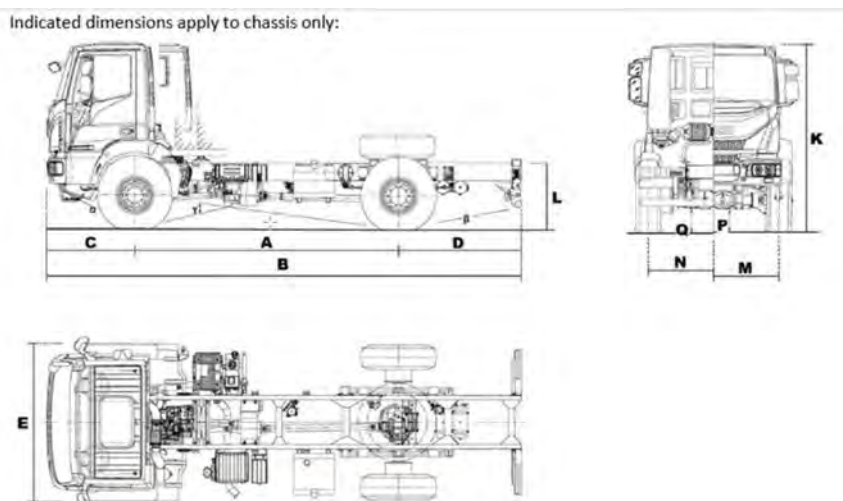
6. IVECO EUROCARGO MLL150E28VS AVIATION REFUELER TANK 7000 L (JET GUEL) ADR FL KONFIGURACIJA

Konfiguracija vozila IVECO EUROCARGO MLL150E28VS u konfiguraciji rezervoara za gorivo za vazduhoplovstvo za MO CG je opisana u sledećim paragrafima. IVECO EUROCARGO MLL150E28VS je vozilo sa stalnim pogonom 4x4, volan na lijevoj strani, duga kabina, prednji motor, napredna vozačka kabina, manuelni mjenjač, ADR FL oprema, prednja upravljačka osovina sa jednim točkom, zadnja osovina sa jednim točkom, pogodna za teške uslove rada. rad na putu i van puta.

Integracija sve opreme i sistema (uključujući odredbe) koji su dio vojnih logističkih vozila MNE-MO biće kvalifikovana u skladu sa IVECO Procesom kvalifikacije za odbrambena vozila.

6.1 Dimenzije i mase

Dimenzije i mase IVECO EUROCARGO MLL150E28VS AVIO REFUELER-a koje će biti dostavljene MO su prikazane na slici br. 1 i br. 2:



Wheelbase	A	3.915
Max chassis length	B	6.665
Front overhang	C	1.387
Rear overhang	D	1.358
Overall width (over wings cab)	E	2.490
Overall width (over muffler)	E1	2.314
Overall width (rear tyres)	E2	2.435
Overall Cab height (unladen)	K	3.091
Front axle to front of the body	H	985
Turning circle (kerb to kerb)		15.700
Turning circle (wall to wall)		16.720
Frame height (end of frame) (unloaded)	L	1.334
Front track	M	2.055
Rear track	N	2.045
Ground clearance under diff (front/rear)	P / Q	>400/>400
Frame width at rear		852

All dimensions are in mm with 14.00R20 tyres.

Slika #1

Weights are referred to standard configuration and include: chassis cab, driver (75 kg), full fuel tank (180 l), tool kit and spare wheel. Values in kg.

Total vehicle kerb weight	5975
Kerbweight on Front Axle	3970
Kerbweight on Rear Axle	2005
G.V.W. (EC)	15000
Plated weight on front axle (EC)	5700
Plated weight on rear axle(s) (EC)	10000
Max body & payload (Design)	9025

Slika #2

6.2 Motor i performanse

IVECO EUROCARGO MLL150E28VS je opremljen Common-rail direktnim ubrizgavanjem, turbopunjačem, interkulerom i motorom Tector 6 sa vodenim hlađenjem. Motor ima 275 KS sa nivoom emisije deklarisanim na nivou EURO 3.

- Broj cilindara 6 u redu
- Ukupna zapremina 5.880 cm³
- Hod 102 mm
- Otvor 120 mm
- Maksimalna snaga 202 kW (275 KS) pri 2500 o/min
- Maksimalni obrtni moment 930 Nm pri 1250 o/min

Maksimalna brzina IVECO EUROCARGO MLL150E28VS je elektronski ograničena. Na slici br. 3 prikazane su performanse modela za MO CG

Maximum speed at GVW on flat surface (km/h with electronic speed limiter)	90
Maximum climbable (front) gradient	31° (60%)
Maximum side slope (without superstructure)	26° (58%)
Approach angle	31°
Departure angle	16°
Max fording depth [mm]	750
Cruising range at GVW (on paved road, on flat surface at 67 km/h) [km]	> 800
Temperature range:	-20°C / +49°C

Slika #3

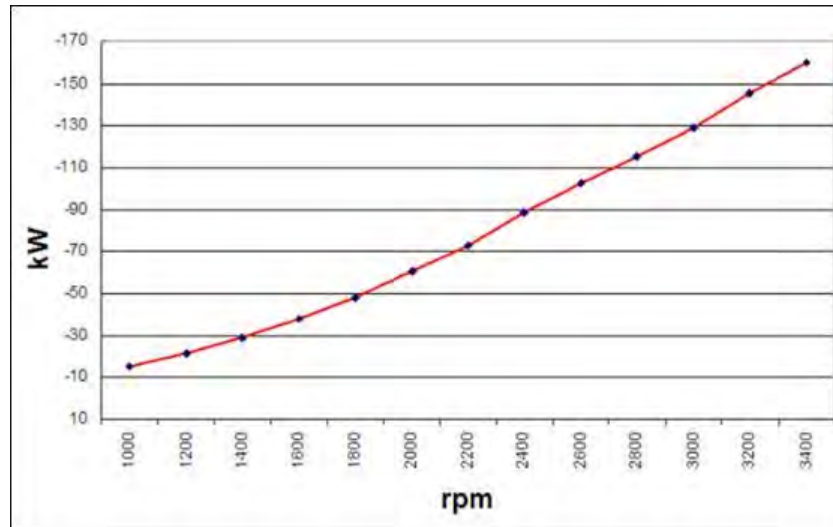
IVECO turbo brake motorna kočnica.

Tector motori instalirani na Eurocargo opremljeni su leptir ventilom u izduvnom razvodniku radi poboljšanja standardnih performansi kočnice motora. Pomenuti ventil povećava povratni pritisak izduvnih gasova, čime se povećava snaga kočenja motora. Funkcija se može kontrolisati pomoću ručice na volanu sa dva načina rada:

- 1- Samo pritiskom na pedalu kočnice.
- 2- Otpuštanjem pedale gasa, nezavisno od rada pedale kočnice.

Ova funkcija smanjuje zamor vozača izbjegavajući upotrebu pedale kočnice za usporavanje vozila i smanjuje habanje kočnica i kočionih pločica.

Motorna kočnica je efikasna iznad 1000 o/min motora prema krivi prikazanoj na slici #4:

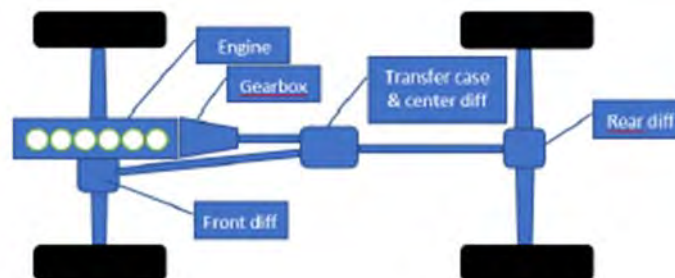


Slika #4

6.3 Mjenjač, prenosno kućište i osovine

IVECO EURO CARGO MLL150E28VS ima ručni ZF mjenjač tipa ZF 6S 1000 TO: šest sinhronizovanih brzina naprijed plus jedna unazad. Nema intarder /retarder.

Kućište kamiona je IVECO TC 1100 koji se ugrađuje na šasiju, nezavisno od mjenjača. Trajni pogon 4x4 sa uzdužnim diferencijalom. Dva odnosa: na putu (1:0,99) i van puta (1:1,94). Raspodjela obrtnog momenta: 33% naprijed, 67% pozadi. Uzdužni diferencijal se može zaključati za tešku upotrebu na terenu (šema na slici br. 5)



Slika #5

Parametri osovine su:

Prednja osovina: Iveco 5956. Kruta, redukcija glavčine. Odnos osovina: 5,326. Diferencijalna blokada.

Zadnja osovina: Iveco 451146/1. Redukcija čvorišta. Odnos osovina: 5,326. Diferencijalna blokada.

6.4 Suspenzije, kočnice, točkovi i gume

SUSPENZIJE:

Prednji dio: ojačane parabolične lisnate opruge sa jednom fleksibilnošću, integrisane sa dva elastična čepa i teleskopskim hidrauličnim amortizerima dvostrukog dejstva.

Pozadi: Parabolične lisnate opruge sa jednom fleksibilnošću.

Anti-roll šipka na prednjoj i zadnjoj osovini.

KOČNICE:

Dva nezavisna pneumatska kola.

ABS i EBL sistemi.

Doboš kočnice prednje i zadnje osovine.

Prečnik: 381 mm

Širina: 178 mm

Servis i hitna pomoć: pneumatski na svim točkovima.

Parking: mehanički tip sa oprugom i pneumatskim upravljanjem na zadnjim osovinama.

Motorna kočnica IVECO FPT na izduvnom sistemu.

TOČKOVI I GUME:

Prednji: 14,00 R 20 jednostruko montiran

Pozadi: 14,00 R 20 jednostruko montiran

Tip diska 20-10.00V, montiran pojedinačno na prednjoj i zadnjoj osovini.

Jedan rezervni točak 14.00 R 20" montiran na nadgradnju.

Runflat VFI sistem na svim točkovima. Vozilo u konfiguraciji sa punim opterećenjem, sa jednom ili dvije pneumatike, može da pređe put ukupne razdaljine bez da se guma slepi sa točka ili da se zapali i bez ozbiljnog uticaja na upravljanje, manevrisanje, stabilnost, kočenje i održavanje brzina pod sledećim uslovima:

- 50 km na putu (3 km pri maksimalnoj brzini; 10 km pri 50 km/h konstantna brzina; 37 km pri 25 km/h)
- putujte van puta 2 sata brzinom od približno 20 km/h, a da guma ne napusti felge ili da se zapali.

6.5 Šasija i okvir

Izrađen od čelika visoke čvrstoće sa bočnim elementima u obliku slova „C“ koji su povezani vijcima i zakovicama.

Slijede podaci za bočne elemente (sparove):

Debljina bočnih elemenata	(mm) 6
Maksimalna visina bočnih nosača	(mm) 252
Širina prirubnice bočnih elemenata	(mm) 70

6.6 Kuka za vuču i vitlo

Svi IVECO EURO CARGO MLL150E28VS su opremljeni sa automatskom spojnicom za vuču Ringfeder tip K4D pogodnom za povezivanje sa ušicama vučne vule 76 mm. Vitlo neće biti instalirano na model koji je odabrao MO CG.

6.7 Električni i sistem za gorivo

ELEKTRIČNI SISTEM:

Napon: 24 V

Baterije: 2k 12V, 143 Ah

Alternator: 28 V – 90 A

Starter: 24 V – 4 kV

Glavni prekidač mehaničkih baterija.

NATO slave starter utičnica

Sistem zatamnjenja osvjetljenja (prednja, zadnja i konvojska svjetla)

SISTEM GORIVA:

Čelični rezervoar za gorivo nominalnog kapaciteta 200 litara sa indikatorom nivoa i filterom;

Filter za separator vode, providan za lakšu inspekciju.

6.8 Rezervoar za gorivo

Rezervoar za gorivo za vazduhoplovstvo od 7000 litara, specifičan za mlazno gorivo, instaliran na MLL 150 E 28 VS, međuosovinsko rastojanje 3,915 mm, duga kabina, ima ove glavne stavke:

- Avio-rezervoar (kapaciteta 7.000 litara) je dizajniran za punjenje helikoptera avionskim gorivom iz sopstvenog rezervoara. Vozilo je povezano sa helikopterom preko 1 namotaja za crijevo.
- Maksimalni protok treba da bude 250 L/min preko mlaznice iznad krila.
- Dopuna goriva će raditi na aerodromu brzinom od 30 km/h ili na/van puta u skladu sa ograničenjima težine i dimenzija lokalne zemlje.

Isporučuje se u nosačima od mekog čelika zavarenim za rezervoar i pričvršćenim na "C" profil pomoću fleksibilnih priključaka za oscilovanje rezervoara.

Tijelo rezervoara će imati:

- Ukupni kapacitet od 7.300 litara cca. uključujući dodatnih 4% ekspanzione pare (7.000 Lt. neto kapacitet).
- Rezervoar treba da ima jedan odjeljak i projektovan sa unutrašnjim pregradama za smanjenje prenapona proizvoda.
- Materijal: nerđajući čelik AISI304. Nadgradnja vozila cisterne treba da bude u skladu sa svim standardima za međunarodne aerodrome, prema IATA i EN 12312-5.
- Debljina tela rezervoara i pregrada će biti najmanje 3 mm u skladu sa ADR.

Sistem za pumpanje će imati samousisnu volumetrijsku pumpu sa atek odobrenjem, pogodnu za avio-gorivo, protoka ne manjeg od 250 L/min, koju pokreće motor kamiona preko hidrauličnog mjenjača koji se kontroliše iz kabine vozača. Postojeće filter koji se lako skida i fleksibilne veze za usisne i potisne vodove.

Mora da ima jedan mjerač zapremine ne manji od 250 L/min da bi se obezbedila količina tečnosti koja prolazi kroz sledeće:

- Mehanički brojač glave
- Djelimična isporuka sa pet cifara može se resetovati
- Indikator protoka u litrima.

Spojnice za gorivo pod pritiskom moraju biti:

- 1,5 inča preko krilne mlaznice sa poklopcem za prašinu i kablom za vezivanje biće instaliran na kraju crijeva za dopunjavanje goriva sa suvim prekidom.
- 2,5" mlaznica za punjenje pod pritiskom biće instalirana na kraju crijeva za punjenje.

Biće opremljen i sa sledećim:

- Zaštitni poklopac pričvršćen za mlaznicu lancem ili žičanim užetom.
- Vakumski prekidač.
- Regulator sa oprugom za regulaciju pritiska za (45) PSI natpritisak (HEPVC).
- Millipore testiranje.
- Suva pauza.

Takođe se moraju instalirati sledeća svjetla:

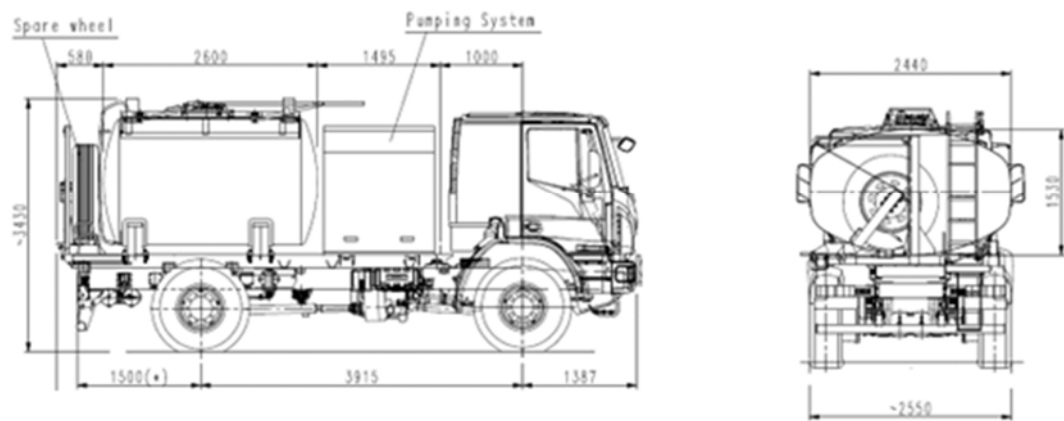
- Narandžasto svjetlo na vrhu kabine sa prekidačem za upravljanje unutar kabine vozača.
- N. 1 aerodromsko radno svjetlo.
- N. 1 svjetlo instrument table.
- N. 1 interlock lampa.
- N. 4 aerodromska svjetla.

Biće obezbeđeni sledeći sigurnosni uređaji:

- Sistem blokade: elektro/pneumatski sistem će biti instaliran da spriječi kretanje vozila kada su minimalna vrata ormana otvorena, crijevo nije spremljeno, rukohvat je podignut ili je PTO uključen. Sistem blokade će djelovati na parkirnu kočnicu, a u kabini će biti monitor sa indikatorima blokade.
- Kolut za vezivanje: N.1 ručni kotur za vezivanje koji nosi 20 m kabla zajedno sa krokodil kopčama.
- Vezivne veze: Bakarne vezne veze će se montirati na sve prirubničke spojeve cijevi.
- Traka za uzemljenje: Na uzemljenje između kamiona cisterne i zemlje će uticati guma.

Slika #6 prikazuje indikativni crtež vozila MLL150E28VS u konfiguraciji AVIO REFUELER 7000 L JET FUEL.

Only for reference, not binding.



Slika #6

7. IVECO EUROCARGO MLL150E28VS REZERVOAR ZA VODU 7000 L KONFIGURACIJA

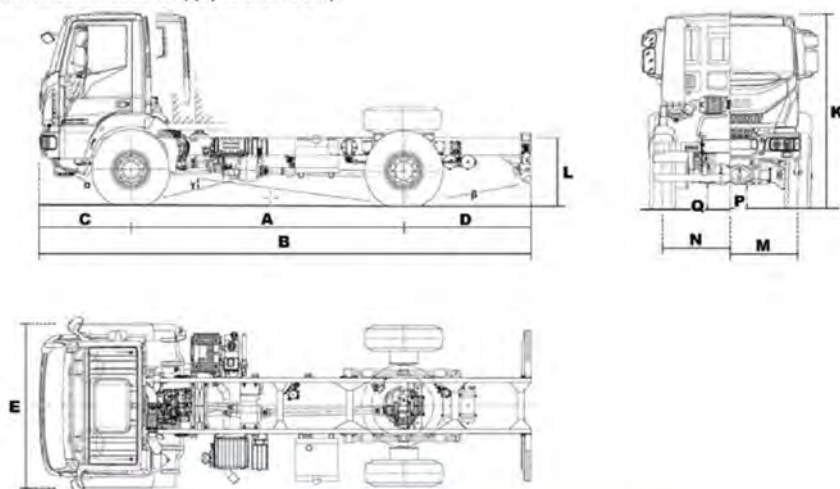
Konfiguracija vozila IVECO EUROCARGO MLL150E28VS u konfiguraciji rezervoara za vodu za MO CG je opisana u sledećim paragrafima. IVECO EUROCARGO MLL150E28VS je vozilo sa stalnim pogonom 4k4, volan na levoj strani, duga kabina, prednji motor, napredna vozačka kabina, manuelni mjenjač, prednja upravljačka osovina sa jednim točkom, zadnja osovina sa jednim točkom, pogodna za teške uslove na putu i van njega. rad na putu.

Integracija sve opreme i sistema (uključujući odredbe) koji su dio vojnih logističkih vozila MNE-MO biće kvalifikovana u skladu sa IVECO Procesom kvalifikacije za odbrambena vozila.

7.1 Dimenzije i mase

Dimenzije i mase IVECO EUROCARGO MLL150E28VS koje će biti dostavljene MO CG su prikazane na slici br. 1 i br. 2:

Indicated dimensions apply to chassis only:



Wheelbase	A	3.690
Max chassis length	B	6.440
Front overhang	C	1.387
Rear overhang	D	1.358
Overall width (over wings cab)	E	2.490
Overall width (over muffler)	E1	2.314
Overall width (rear tyres)	E2	2.435
Overall Cab height (unladen)	K	3.091
Front axle to front of the body	H	985
Turning circle (kerb to kerb)		15.960
Turning circle (wall to wall)		14.900
Frame height (end of frame) (unloaded)	L	1.334
Front track	M	2.055
Rear track	N	2.045
Ground clearance under diff (front/rear)	P / Q	>400/>400
Frame width at rear		852

All dimensions are in mm with 14.00R20 tyres.

Slika #1

Weights are referred to standard configuration and include: chassis cab, driver (75 kg), full fuel tank (200 l), tool kit and spare wheel. Values in kg.

Total vehicle kerb weight	5925
Kerbweight on Front Axle	3965
Kerbweight on Rear Axle	1960
G.V.W. (EC)	15000
Plated weight on front axle (EC)	5700
Plated weight on rear axle(s) (EC)	10000
Max body & payload (Design)	9075

Slika #2

7.2 Motor i performanse

IVECO EUROCARGO MLL150E28VS je opremljen Common-rail direktnim ubrizgavanjem, turbopunjačem, interkulerom i motorom Tector 6 sa vodenim hlađenjem. Motor ima 275 KS sa nivoom emisije deklarisanim na nivou EURO 3.

- Broj cilindara 6 u redu
- Ukupna zapremina 5.880 cm³
- Hod 102 mm
- Otvor 120 mm
- Maksimalna snaga 202 kW (275 KS) pri 2500 o/min
- Maksimalni obrtni moment 930 Nm pri 1250 o/min

Maksimalna brzina IVECO EUROCARGO MLL150E28VS je elektronski ograničena. Na slici br. 3 prikazane su performanse modela za MO CG

Maximum speed at GVW on flat surface (km/h with electronic speed limiter)	90
Maximum climbable (front) gradient	31° (60%)
Maximum side slope (without superstructure)	26° (58%)
Approach angle	31°
Departure angle	16°
Max fording depth [mm]	750
Cruising range at GVW (on paved road, on flat surface at 67 km/h) [km]	> 800
Temperature range:	-20°C / +49°C

Slika #3

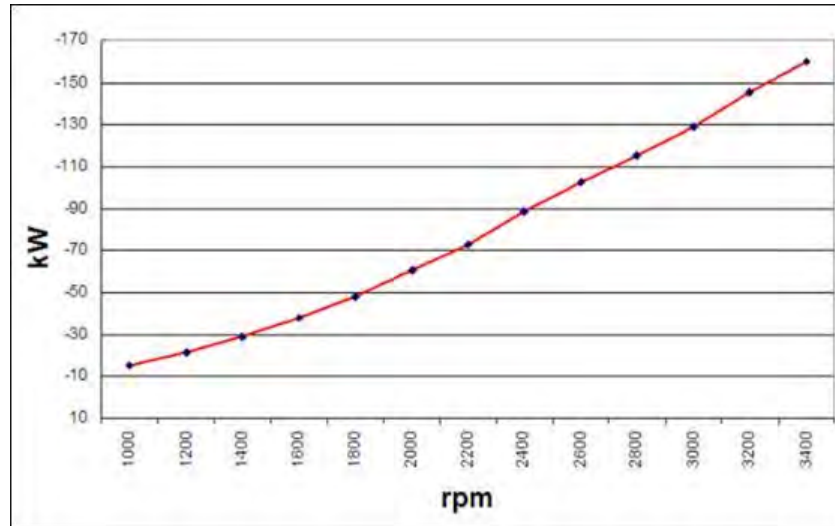
IVECO turbo brake motorna kočnica.

Tector motori instalirani na Eurocargo opremljeni su leptir ventilom u izduvnom razvodniku radi poboljšanja standardnih performansi kočnice motora. Pomenuti ventil povećava povratni pritisak izduvnih gasova, čime se povećava snaga kočenja motora. Funkcija se može kontrolisati pomoću ručice na volanu sa dva načina rada:

- 1- Samo pritiskom na pedalu kočnice.
- 2- Otpuštanjem pedale gasa, nezavisno od rada pedale kočnice.

Ova funkcija smanjuje zamor vozača izbjegavajući upotrebu pedale kočnice za usporavanje vozila i smanjuje habanje kočnica i kočionih pločica.

Motorna kočnica je efikasna iznad 1000 o/min motora prema krivi prikazanoj na slici #4:

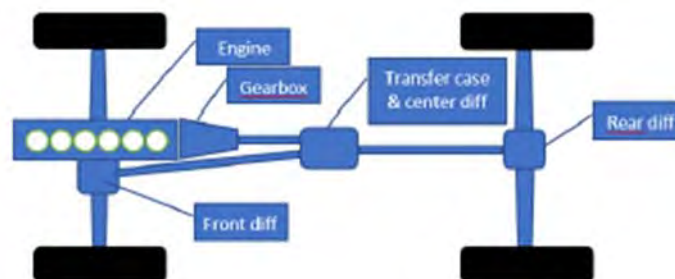


Slika #4

7.3 Mjenjač, prenosno kućište i osovine

IVECO EUROCARGO MLL150E28VS ima ručni ZF mjenjač tipa ZF 6S 1000 TO: šest sinhronizovanih brzina naprijed plus jedna unazad. Nema intardera /retardera.

Kućište kamiona je IVECO TC 1100 koji se ugrađuje na šasiju, nezavisno od mjenjača. Trajni pogon 4k4 sa uzdužnim diferencijalom. Dva odnosa: na putu (1:0,99) i van puta (1:1,94). Raspodjela obrtnog momenta: 33% naprijed, 67% pozadi. Uzdužni diferencijal se može zaključati za tešku upotrebu na terenu (šema na slici br. 5)



Slika #5

Parametri osovine su:

Prednja osovina: Iveco 5956. Kruta, redukcija glavčine. Odnos osovina: 5,326.
Diferencijalna blokada.

Zadnja osovina: Iveco 451146/1. Redukcija čvorišta. Odnos osovina: 5,326. Diferencijalna blokada.

7.4 Suspenzije, kočnice, točkovi i gume

SUSPENZIJE:

Prednji dio: ojačane parabolične lisnate opruge sa jednom fleksibilnošću, integrisane sa dva elastična čepa i teleskopskim hidrauličnim amortizerima dvostrukog dejstva.

Pozadi: Parabolične lisnate opruge sa jednom fleksibilnošću.

Anti-roll šipka na prednjoj i zadnjoj osovini.

KOČNICE:

Dva nezavisna pneumatska kola.

ABS i EBL sistemi.

Doboš kočnice prednje i zadnje osovine.

Prečnik: 381 mm

Širina: 178 mm

Servis i hitna pomoć: pneumatski na svim točkovima.

Parking: mehanički tip sa oprugom i pneumatskim upravljanjem na zadnjim osovinama.

Motorna kočnica IVECO FPT na izduvnom sistemu.

TOČKOVI I GUME:

Prednji: 14,00 R 20 jednostruko montiran

Pozadi: 14,00 R 20 jednostruko montiran

Tip diska 20-10.00V, montiran pojedinačno na prednjoj i zadnjoj osovini.

Jedan rezervni točak 14,00 R 20" montiran na nadgradnju.

Runflat VFI sistem na svim točkovima. Vozilo u konfiguraciji sa punim opterećenjem, sa jednom ili dvije pneumatike, može da pređe put ukupne razdaljine bez da se guma slepi sa točka ili da se zapali i bez ozbiljnog uticaja na upravljanje, manevrisanje, stabilnost, kočenje i održavanje brzina pod sledećim uslovima:

- 50 km na putu (3 km pri maksimalnoj brzini; 10 km pri 50 km/h konstantna brzina; 37 km pri 25 km/h)
- putujte van puta 2 sata brzinom od približno 20 km/h, a da guma ne napusti felge ili da se zapali.

7.5 Šasija i okvir

Izrađen od čelika visoke čvrstoće sa bočnim elementima u obliku slova „C“ koji su povezani vijcima i zakovicama.

Slijede podaci za bočne elemente (sparove):

Debljina bočnih elemenata	(mm) 6
Maksimalna visina bočnih nosača	(mm) 252
Širina priрубnice bočnih elemenata	(mm) 70

7.6 Kuka za vuču i vitlo

Svi IVECO EURO CARGO MLL150E28VS su opremljeni sa automatskom spojnicom za vuču Ringfeder tip K4D pogodnom za povezivanje sa ušicama vučne vule 76 mm. Vitlo neće biti instalirano na model koji je odabrao MO CG.

7.7 Električni i sistem za gorivo

ELEKTRIČNI SISTEM:

Napon: 24 V

Baterije: 2k 12V, 143 Ah

Alternator: 28 V – 90 A

Starter: 24 V – 4 kV

Glavni prekidač mehaničkih baterija.

NATO slave starter utičnica

Sistem zatamnjenja osvjetljenja (prednja, zadnja i konvojska svjetla)

SISTEM GORIVA:

Čelični rezervoar za gorivo nominalnog kapaciteta 200 litara sa indikatorom nivoa i filterom;

Filter za separator vode, providan za lakšu inspekciju.

7.8 Rezervoar za vodu

Kabina šasije će biti snabdjevena rezervoarom za vodu kapaciteta 7.000 litara.

Glavne stavke će biti:

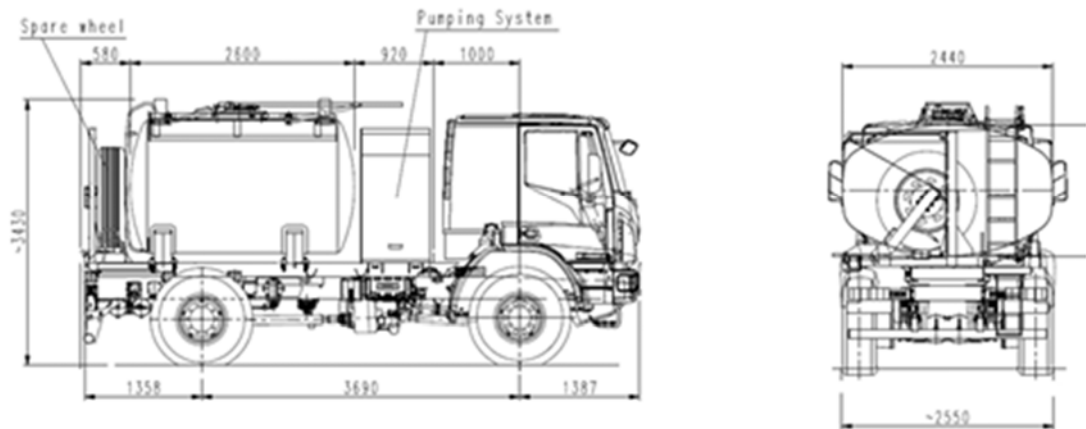
- Četvorougao ni presjek.
- Geometrijski kapacitet od najmanje 7.000 litara sa jednim odjeljkom.
- Materijal: nerđajući čelik AISI 304; minimalna debljina oplata i dna 3 mm.
- Elektrolučno zavarivanje sa MAG sistemom.
- Obruči za unutrašnju armaturu u "T" profilu sa poprečnim pregradama lukobrana punog presjeka.
- Zadnji šaht sa poklopcem za otvaranje od nerđajućeg čelika, ventilacijom i netoksičnim zaptivkama.
- Desna izduvna cijev sa 3" bronzanim kugličnim ventilom i poklopcem.
- Indikator nivoa plovaka na zadnjoj strani rezervoara.
- N. 1 gornja kuka za podizanje praznog rezervoara.
- Izvod snage mjenjača motora sa upravljanjem u kabini (IVECO isporučuje tip ZF NH4C) – kompletno sa hidrauličnim mjenjačem.

- Samousisna centrifugalna pumpa od nerđajućeg čelika sa protokom približno 500 L/min na odgovarajućoj visini od približno 5 metara vodenog stuba. Filter. Manometar. Cijevi od nerđajućeg čelika i kuglični ventili od bronce za preokret faze.

Okvir će imati specijalno dizajniranu konstrukciju od ugljeničnog čelika bez torzije koja se sastoji od potpornih sedla od mekog čelika zavarenih za rezervoar i pričvršćenih na "C" profil pomoću fleksibilnih veza za oscilovanje rezervoara.

Slika #6 prikazuje indikativni crtež konfiguracije vozila MLL 150E28VS u konfiguraciji rezervoara za vodu.

Only for reference, not binding



Slika #6

8. IVECO MODEL M170.33VM (SM 44.31 4k4) REZERVOAR ZA VODU 5000 L

Konfiguracija vozila IVECO M170.33VM (SM 44.31 4k4) za MO CG je opisana u sledećim paragrafima. IVECO M170.33VM je šasija za sve terene visoke mobilnosti sa prednjom osovinom sa jednim točkovima, zadnjom osovinom sa jednim točkovima i stalnim pogonom na sve točkove .

Integracija sve opreme i sistema (uključujući odredbe) koji su dio vojnih logističkih vozila MNE-MO biće kvalifikovana u skladu sa IVECO Procesom kvalifikacije za odbrambena vozila.

8.1 Dimenzije i mase

Dimenzije i mase IVECO M170.33VM (SM 44.31 4k4) koje će biti dostavljene MO CG su navedene u nastavku:

DIMENZIJE

Međuosovinsko rastojanje:	4200 mm
Prednji prepust:	1375 mm
Zadnji prepust:	1800 mm
Širina šasije:	2550 mm mak
Ugao pristupa:	42°
Ugao odlaska:	30° (sa preklopljenim zadnjim podvozjem, položaj van puta)
Klirens:	420 mm
Ø okretanja između zidova:	18,0 m (radijus okretanja 9,0 m)
Tolerancija na a/m vrijednosti	± 5%

MASE

Zakonska težina:	18000 kg
Maksimalna dozvoljena osovinska opterećenja	
Prednja osovina:	9000 kg
Zadnja osovina:	10000 kg
Procjena težine vozila:	
Ukupna težina praznog vozila:	9300 kg (uključujući posadu i gorivo)
Tolerancija na a/m vrijednosti	± 5%

8.2 Motor i performanse

IVECO M170.33VM je opremljen sa turbopunjačem, interkuler 4-taktnim dizel sistemom direktnog ubrizgavanja sa vodenim hlađenjem IVECO F2B Cursor 8 motorom. Motor ima 330 KS, nivo emisije EURO 5.

- Broj cilindara 6 u redu
- Ukupna zapremina 7.790 cm³
- Hod 125 mm
- Otvor 115 mm
- Maksimalna snaga 245 kW (330 KS) pri 2400 o/min
- Maksimalni obrtni moment 1300 Nm pri 1685 o/min

Maksimalna brzina IVECO M170.33VM elektronski je ograničen. U nastavku su prikazane performanse modela za MO CG

Maksimalna brzina na ravnoj popločanoj površini:	85 km/h sa elektronskim ograničavačem brzine
Mogućnost gradijenta:	60% (30°)
Mogućnost bočnog nagiba:	30% (17°)
Sposobnost prelaska:	1200 mm
Specifična snaga motora:	13,6 kW/t (odnosi se na legalni 4x4 GVV)
Maksimalni domet goriva:	800 km (prema CUNA NC003-01 pri brzini od 55 km/h na ravnom asfaltiranom putu)
Opseg radne temperature:	-32°C +49°C

8.3 Mjenjač, prenosno kućište i osovine

Automatski mjenjač sa pretvaračem obrtnog momenta, Allison 3500SP, 6 brzina naprijed + 1 nazad, Integrirani retarder.

IVECO prenosna kutija sa dva prenosna odnosa (normalni i smanjeni). Grupa reduktor-razdjelnik se sastoji od niza cilindričnih spiralnih zupčanika sa konstantnom mrežom. Može se zaključati pneumatskom kontrolom iz unutrašnjosti kabine.

Parametri osovine su:

Prednja osovina: IVECO-FPT noseća pogonska osovina, upravljiva, sa duplom redukcijom, centralna sa konusnim zupčanikom, u glavčinama točkova sa planetarnim zupčanikom. Diferencijal između točkova koji se može zaključati.

Zadnja osovina: IVECO-FPT noseća pogonska osovina, sa dvostrukom redukcijom, centralna sa konusnim zupčanikom, u glavčinama točkova sa planetarnim zupčanikom. Diferencijal između točkova koji se može zaključati.

8.4 Suspenzije, kočnice, točkovi i gume

SUSPENZIJE:

Prednji dio: parabolične lisnate opruge, sa gumenim branicima i teleskopskim hidrauličnim amortizerima dvostrukog dejstva. Ugrađena šipka protiv prevrtanja.

Pozadi: parabolične lisnate opruge, sa teleskopskim hidrauličnim amortizerima dvostrukog dejstva. Ugrađena šipka protiv prevrtanja.

KOČNICE:

Radna kočnica: Disk kočnice naprijed i pozadi, sa hidrauličnim čeljustima i pneumo-hidrauličnim pretvaračima. Tri nezavisne sekcije vazdušne kočnice.

ABS sa 4-kanalnom elektronskom kontrolnom jedinicom i EBL sistemima.

Parking i kočnica za slučaj nužde: pneumatski se aktivira na zadnjim točkovima pomoću opružnih cilindara.

Pomoćna parkirna kočnica: pneumatski aktivirana na prednjim točkovima. Može se uključiti tek nakon aktiviranja parkirne kočnice. Omogućava produženo stajanje na nagibima do 60%.

Pneumatski sistem: sistem se napaja kompresorom koji dovodi potrebnu količinu komprimovanog vazduha u sistem preko APU razvodnika-sušara. Vazduh se skladišti u odgovarajućim rezervoarima i odvodi prema potrebi kočionog sistema vozila i komunalnih usluga.

TOČKOVI I GUME:

Prednji dio: 14,00 R 20 bez cijevi sa terenskim uzorkom

Pozadi: 14,00 R 20 bez cijevi sa terenskom šarom

Felge: čelične felne 10.00-20 naprijed i pozadi.

Rezervni točak 14.00 R20 montiran na vozilo.

Runflat VFI sistem na svim točkovima. Vozilo u konfiguraciji sa punim opterećenjem, sa jednom ili dvije pneumatike , može da pređe put ukupne razdaljine bez da se guma slepi sa točka ili da se zapali i bez ozbiljnog uticaja na upravljanje, manevrisanje , stabilnost, kočenje i održavanje brzina pod sledećim uslovima:

- 50 km na putu (3 km pri maksimalnoj brzini; 10 km pri 50 km/h konstantna brzina; 37 km pri 25 km/h)
- putujte van puta 2 sata brzinom od približno 20 km/h, a da guma ne napusti felge ili da se zapali.

IVECO M170.33VM za MO CG će biti opremljen centralnim sistemom za naduvavanje guma - CTIS sa unutrašnjim vazdušnim kanalima. Omogućava vozaču da prilagodi pritisak u gumama (i kada se vozilo kreće) kako bi imao optimalan otisak na bilo kom terenu. Sistem takođe omogućava različite pritiske između prednjih i zadnjih točkova. Sistem se puni komprimovanim vazduhom za postepeno podešavanje pritiska u gumama i potpuno se kontroliše iz unutrašnjosti kabine pomoću kontrolne table.

8.5 Šasija i okvir

Okvir se sastoji od uzdužnih glavnih greda od specijalnog kovanog čelika sa „C“ presjekom, povezanih zakovnim ili uvrtnim poprečnim nosačima. Prednji čelični branik. Slijede podaci za bočne elemente (sparove):

Debljina bočnih elemenata	(mm) 8
Maksimalna visina bočnih nosača	(mm) 300
Širina prirubnice bočnih elemenata	(mm) 75

8.6 Kuka za vuču i vitlo

Svi IVECO M170.33VM opremljeni su sledećim kukama, prema STANAG 4101 Ed. 2:

Prednji klin (samo za manevrisanje, nije pogodan za vuču).

Dvije prednje ušice za vuču (okovi).

Zadnja kuka za vuču, sa automatskom bravom, serija UN966

Dvije zadnje ušice za vuču (okovi).

Vitlo neće biti instalirano na model koji je odabrao MO CG.

8.7 Električni i sistem za gorivo

ELEKTRIČNI SISTEM:

Nazivni napon: 24 V

Baterije: 4k 12V, 110 Ah (ukupno 220 Ah)

Alternator: 28 V – 150 A

Starter: 24 V – 4,5 kV

Glavni strujni relej i eksterna utičnica za hitno pokretanje i punjenje akumulatora (prema STANAG 4074 Ed. 3) (uključujući set kablova za pokretanje)

7-polni zglob (ISO 7638) za ABS prikolice

12-polni spoj (STANAG 4007 Ed. 2) za osvetljenje prikolice

EMC u skladu sa MIL-STD-461C specifikacijom.

Oprema za normalno i Blackout osvetljenje kao što slijedi:

Standardna prednja svjetla (pozicija kratkog i dugog), prednja zatamnjena i prednja poziciona svjetla (STANAG 4381 Ed. 1 ili ekvivalentno)

Prednji i bočni pokazivači pravca

Zaštitne rešetke prednjih farova

Zadnja i kočiona svjetla, pokazivači pravca (zadnja i kočiona svjetla sa sistemom zatamnjenja)

Svjetlo za registarsku tablicu

Zadnji reflektori

Zadnje svjetlo za maglu i zadnje svjetlo za vožnju unazad

Prednja, zadnja i bočna gabaritna svjetla.

SISTEM GORIVA:

Čelični rezervoar za gorivo kapaciteta 400 litara, montiran sa strane, sa pokazivačem nivoa i rezervom.

8.8 Rezervoar za vodu

Šasija kabina će biti snabdjevena rezervoarom za vodu kapaciteta 5.000 litara.

Glavne stavke će biti:

- Četvorougao ni presjek.
- Geometrijski kapacitet od skoro 5.000 litara sa jednim odjeljkom.
- Materijal: nerđajući čelik AISI 304; minimalna debljina oplata i dna 3 mm.
- Elektrolučno zavarivanje sa MAG sistemom.
- Obruči za unutrašnju armaturu u "T" profilu sa poprečnim pregradama lukobrana punog presjeka.
- Zadnji šaht sa poklopcem za otvaranje od nerđajućeg čelika, ventilacijom i netoksičnim zaptivkama.
- Desna izduvna cijev sa 3" bronzanim kugličnim ventilom i poklopcem.
- Indikator nivoa plovaka na zadnjoj strani rezervoara.
- N. 1 gornja kuka za podizanje praznog rezervoara.
- Izvod snage mjenjača motora sa upravljanjem u kabini (IVECO isporučuje tip ZF NH4C) – kompletno sa hidrauličnim mjenjačem.
- Samousisna centrifugalna pumpa od nerđajućeg čelika sa protokom približno 500 L/min na odgovarajućoj visini od približno 5 metara vodenog stuba. Filter. Manometar. Cijevi od nerđajućeg čelika i kuglični ventili od bronzne za preokret faze.

Okvir će imati specijalno dizajniranu konstrukciju od ugljeničnog čelika bez torzije koja se sastoji od potpornih sedla od mekog čelika zavarenih za rezervoar i pričvršćenih na "C" profil pomoću fleksibilnih veza za oscilovanje rezervoara.

9. RECAP TABLE

Real qty	TYPE	FUNCTION	PROPOSED SOLUTION
28	Troop carrier, max. body & payload 8 to 10 tons (4x4)	Cargo / troop transport	Eurocargo 4x4
14			M170 4x4 (without winch)
14			M170 4x4 (with winch)
6	Troop carrier, max. body & payload minimum 20 tons (6x6)	Cargo / troop transport	M250 6x6 (without winch)
6			M250 6x6 (with winch)
5	Fuel Tanker	Diesel 6.000/7.000 liters	Eurocargo 4x4 7.000 liters
2			M170 4x4 6.000 liters
1	Fuel Tanker	Jet Fuel 7.000 liters	Eurocargo 4x4
8	Water Tanker	5.000/7.000 liters	Eurocargo 4x4 7.000 liters
2			M170 4x4 5.000 liters
TOTAL QUANTITY OF VEHICLES: 86 pcs			
Price of vehicles, spare parts SM+RSPL+diagnostics 1pcs, delivery (DAP) and training:			19.984.175 €

10. DRUGE KARATERISTIKE

10.1 ZAJEDNIČKI ZA SVA VOZILA

Sva vozila za MNE-MO biće vojnog tipa/militarizovana i ofarbana u „VEM“ zelenu boju (RAL 6003) po modelima italijanske vojske.

Sva vozila biće opremljena zatamnjenim svjetlima.

Sva vozila će biti opremljena Runflat sistemom na svim točkovima.

Sva vozila će biti opremljena klima uređajima u kabini.

Sva vozila će biti opremljena 4-kanalnom elektronskom kontrolnom jedinicom Sistemom protiv blokiranja kočnica (ABS) i sistemom za elektronsko ograničenje kočenja (EBL).

Sve verzije i konfiguracije modela M170.33VM i M250.40VM biće opremljene centralnim sistemom za naduvavanje guma – CTIS.

Sva vozila obuhvaćena ovim PU neće imati civilnu homologaciju.

10.2 VOZILA ZA TRANSPORT VOJSKE / TERETA

Kao što je već navedeno, brojna vozila M170.33VM i M250.40VM konfigurisana za prevoz trupa/teret će biti opremljena odgovarajućim vitlima.

10.3 VOZILA CISTERNA

MLL150E28VS (cisterna za dizel i mlaznu avijaciju) i M170.33VM (cisterna za dizel gorivo) su certificirani za prevoz opasnih materija u skladu sa ADR klasom 3 – UN 1233 i UN 1883.

Nadgradnja avio vozila za punjenje goriva (verzija avionskog rezervoara za punjenje goriva MLL150E28VS) biće u skladu sa svim standardima za međunarodne aerodrome u skladu sa propisima sadržanim u EN 12312-5 (Oprema za zemaljsku podršku vazduhoplova. Specifični zahtjevi Oprema za punjenje aviona) i zahtjevima datim od Međunarodnog udruženja za vazdušni saobraćaj (IATA).

Sistem za pumpanje/dopunjavanje goriva u avionskom rezervoaru (verzija avionskog rezervoara za gorivo MLL150E28VS) omogućice punjenje helikoptera gorivom na otvoren način, sa protokom ne manjim od 250 L/min.

**IMPLEMENTACIONI
ARANŽMAN**

između

**MINISTARSTVA ODBRANE
CRNE GORE**

i

**MINISTARSTVA ODBRANE
REPUBLIKE ITALIJE**

u vezi

**SARADNJE U OBLASTI
VOJNE OPREME**

u cilju

**nabavke vojnih logističkih vozila i povezane logističke podrške,
održavanja i obuke**

ANEKS 2

**PROCEDURE FINANSIJSKOG UPRAVLJANJA,
ODREDBE I USLOVI**

SADRŽAJ

1.	SVRHA
2.	BUDŽET
3.	PROCEDURE
4.	UPRAVLJANJE I ODGOVORNOST
5.	REFUNDACIJA.....
6.	PRETPOSTAVKE.....

1. SVRHA

BUDUĆI DA će Implementacioni aranžman (IA) između Ministarstva odbrane Republike Italije (MO ITA) i Ministarstva odbrane Crne Gore (MO CG) o saradnji u oblasti vojnih logističkih vozila (VLO) podrazumijevati nabavku od strane MO ITA za MO CG sljedećih sredstava i usluga:

- vojna logistička vozila za Vojsku Crne Gore;
- usluge logističke podrške, transporta, isporuke i održavanja;
- usluge obuke.

BUDUĆI DA će MO ITA imenovati svog direkciju „*Direzione degli Armamenti Terrestri*” (DAT) da pregovara, potpiše i realizuje Komercijalni ugovor koji proizilazi iz IA, u ime MO CG.

BUDUĆI DA će MO ITA imenovati svoju agenciju „*Agenzia Industrie Difesa*” (AID), da upravlja namjenskim bankovnim računom i upravlja finansijskim sredstvima koje će MO CG staviti na raspolaganje za plaćanje materijala i usluga iz gore pomenutog Komercijalnog ugovora i njegovih dodatnih administrativnih troškova.

Ovaj dokument ima za cilj da definiše primjenljive procedure finansijskog upravljanja, odredbe i uslove, u skladu sa članom 4.2 IA.

2. BUDŽET

2.1 Konačni ukupni troškovi isporuke i izvršenja koje MO CG plaća za Komercijalni ugovor i njegove prateće administrativne troškove će pokriti sledeće:

- Troškovi komercijalnog ugovora, koji će uključivati troškove materijala i usluga iz Komercijalnog ugovora; ukupan iznos neće biti veći od 20.000.000,00 € (DVADESET MILIONA EVRA);
- Pomoćni administrativni troškovi, koji će obuhvatiti sve troškove koji se odnose na: održavanje bankovnog računa i naknade za plaćanje; administrativne aktivnosti koje obavlja AID za upravljanje finansijskim sredstvima za obavljanje aktivnosti saradnje IR. Ukupan iznos neće biti veći od 60.000,00 €;
- Administrativni troškovi MO ITA, koji će uključivati troškove koji proizilaze iz administrativnih aktivnosti koje obavlja MO ITA (DAT) za pregovaranje, potpisivanje i izvršenje komercijalnog ugovora. Ukupan iznos neće biti veći od 80.000,00 €.

3. PROCEDURE

3.1. TROŠKOVI KOMERCIJALNOG UGOVORA

3.1.1. Prema članu 4.5 IA, MO ITA će objaviti Pozive za sredstva za troškove uključene koji proizilaze iz Komercijalnog ugovora, nakon njegovog potpisivanja i do kraja njegovog stupanja na snagu, do maksimalnog dogovorenog iznosa finansijske obaveze.

3.1.2. MO ITA (DAT) će objaviti 2 (dva) poziva za finansiranje, kako slijedi:

- 1. poziv za novčana sredstva nakon potpisivanja komercijalnog ugovora; neće prelaziti 40% troškova komercijalnog ugovora; prijenos sredstava sa Vlade Crne Gore na bankovni račun MO ITA očekuje se u roku od 30 do 45 dana nakon potpisivanja Komercijalnog ugovora.
 - 2. poziv za novčana sredstva nakon dostave MO CG prve partije Komercijalnog ugovora; njegov iznos će odgovarati preostalom dijelu troškova komercijalnog ugovora.
- 3.1.3. MNE Vlada će izvršiti transfer sredstava u roku od tridesetog dana od prijema navedenog poziva upućenog mejlom na adresu: kabinet@mod.gov.me.
- 3.1.4. Vlada CG će prenijeti sredstva na bankovni račun, koji je otvorio i kojim upravlja AID u interesu MO CG, o čemu će MO ITA dostaviti poziv za dodjelu sredstava.
- 3.1.5. MO CG će odmah proslijediti MO ITA (DAT) kopiju potvrde o izvršenom finansijskom transferu za svaki poziv za sredstva.
- 3.1.6. Nakon što dobije potvrdu o dostupnosti sredstava na bankovnom računu AID-a, MO ITA (DAT) će ovlastiti industrijskog dobavljača da započne proizvodnju relevantne serije.
- 3.1.7. MO ITA (DAT) će izvršiti plaćanja industrijskom dobavljaču, preko AID-a, u skladu sa Komercijalnim ugovorom.

3.2. POMOĆNI ADMINISTRATIVNI TROŠKOVI

- 3.2.1. Prema Članu 4.5 IA, MO ITA će izdavati pozive za sredstva 2 (dva) puta godišnje za pomoćne administrativne troškove.
- 3.2.2. Vlada Crne Gore izvršiće transfer sredstava u roku od tridesetog dana od prijema navedenog poziva upućenog mejlom na sledeću adresu: kabinet@mod.gov.me .
- 3.2.3. Vlada CG će prenijeti sredstva na bankovni račun, koji je otvorio i kojim upravlja AID u interesu MO CG, o čemu će MO ITA dostaviti poziv za dodjelu sredstava.
- 3.2.4. MO CG će odmah proslijediti MO ITA (DAT) kopiju potvrde o izvršenom finansijskom transferu za svaki poziv za sredstva.
- 3.2.5. Nakon što dobije potvrdu o dostupnosti sredstava na bankovnom računu AID-a, MO ITA (DAT) će ovlastiti AID da plati odgovarajući dio dodatnih administrativnih troškova.

3.3. ITA-MOD ADMINISTRATIVNI TROŠKOVI

MO ITA će raspisati 2 (dva) Poziva za sredstva: prvi će biti raspisan prije potpisivanja komercijalnog ugovora, a drugi, indikativno, nakon dostave MO CG prve partije.

- 3.3.1. Administrativne troškove MO ITA snosiće Vlada Crne Gore u roku od tridesetog dana od prijema poziva, direktno na račun italijanske banke trezora na sledeći način:

BANKA ITALIJE

IBAN: IT 49V 01000 03245 348 0 16 3580 05

RAZLOG ZA PLAĆANJE: Poziv na MO ITA (DAT) za sredstva br. ___ od _____ MO CG i MO ITA Saradnja – Vojna logistička vozila – MO ITA Administrativni troškovi.

- 3.3.2. MO CG će proslijediti MO ITA (DAT) kopiju potvrde o izvršenoj uplati za administrativne troškove MO ITA.
- 3.4. MO ITA će biti odgovorna za čuvanje i upravljanje sredstvima koja se odnose na budžet interne revizije.
- 3.5. MO CG će imati pravo na kamatu obračunatu, ako postoji, na iznos stanja na bankovnom računu, umanjenu za sve bankarske naknade nastale za potrebe navedenog računa.
- 3.6. U slučaju da MO CG ne deponuje svoje doprinose u propisanim rokovima, ono će snositi sve posljedice ovog kašnjenja i sve dodatne troškove koji mogu proizaći, kao što su kamate za zakašnjelo plaćanje(e) ili potencijalni povezani troškovi sa kojima se suočava Industrija Dobavljač.

4. UPRAVLJANJE I ODGOVORNOST

- 4.1. MO ITA (DAT) će ovlastiti plaćanja faktura industrijskom dobavljaču ako su ispunjeni svi sledeći uslovi:
- MO ITA (DAT) implementacija završne kontrole kvaliteta, ispitivanja i prijema vozila, materijala i usluga isporučenih prema IA;
 - dostupnost potrebnog iznosa sredstava na namjenskom bankovnom računu.
- 4.2. MO ITA (AID) će blagovremeno i bezuslovno izvršiti plaćanje svake fakture samo nakon odobrenja izdatog od strane MO ITA (DAT).
- 4.3. Sve isplate po ovom IA biće podnijete i plaćene u evrima.
- 4.4. MO ITA (DAT) će periodično dostavljati MO CG, kvartalno, izvještaj o izdatim ovlašćenjima za plaćanje, o izvršenim uplatama i stanju na žiro-računu MO ITA (AID).

5. REFUNDACIJA

- 5.1. U skladu sa Članom 4.6 IA, sva kreditirana sredstva koja će biti veća od konačnog ukupnog iznosa Ugovornih troškova nabavke i dodatnih administrativnih troškova biće vraćena na bankovni račun koji će MO CG identifikovati i saopštiti kroz sledeću komunikaciju.

6. PRETPOSTAVKE

- 6.1. Ministarstvo odbrane Crne Gore će biti odgovorno, i jedina odgovorna strana, da se pozabavi svim formalnostima neophodnim za dobijanje svih licenci, dozvola i dozvola potrebnih van Italije za izvršavanje svojih obaveza iz Komercijalnog ugovora.

IMPLEMENTACIONI ARANŽMAN

između

**MINISTARSTVA ODBRANE
CRNE GORE**

i

**MINISTARSTVA ODBRANE
REPUBLIKE ITALIJE**

u vezi

**SARADNJE U OBLASTI
VOJNE OPREME**

u cilju

**nabavke vojnih logističkih vozila i povezane logističke podrške.
održavanja i obuke**

DODATAK 1 ANEKSU 1

**LOGISTIČKA PODRŠKA, USLUGE TRANSPORTA,
ISPORUKE I ODRŽAVANJA**

USLUGE LOGISTIČKE PODRŠKE I ODRŽAVANJA

Dodatna garancija

Odluka Ministarstva odbrane Crne Gore da kupi dodatnu i opcionu 12-mesečnu garanciju važiće za sva vozila obuhvaćena ovim Implementacionim aranžmanom (IA). Dakle, sva vozila koja budu proizvedena za MO CG imaće ukupnu garanciju od 24 mjeseca od dana isporuke svakog pojedinačnog vozila.

Oprema za testiranje specijalnih alata STTE

Kamioni koji se razmatraju u ovom IA biće praćeni opremom za testiranje specijalnih alata br. 1 za obavljanje dijagnostike na kabinama šasije koju isporučuje komercijalni dobavljač. STTE je nazvan „EASY Diagnostics tool“. Easy će biti obezbijeden uključujući četvorogodišnju licencu za ažuriranje softvera.

Rezervni djelovi za 3-godišnje planirano održavanje

Sledeći set rezervnih djelova je uključen u nabavku za pokrivanje planiranog održavanja za prve 3 (tri) godine radnog vijeka vozila, ograničeno na kabine šasije (liste ne uključuju rezervne djelove relevantne za karoseriju).

Eurocargo 150E28V 4k4 Planirano održavanje 3 godine			
Broj dijela	Naziv stavke	Količina x Vozilo	Ukupno
2992241	ULOŽAK FILTERA	3	126
2992242	FILTER ZA ULJE	3	126
500086329	FILTER PROTIV POLENA	3	126
42558097	FILTER ZA VAZDUH	3	126
5803208328	ULOŽAK SUŠAČA VAZDUHA	3	126
2997374	ULOŽAK PRED-FILTERA ZA GORIVO	3	126
500055972	SET FILTER ELEMENATA ZA ADBLUE	3	126

M170 4k4 Planirano održavanje 3 godine			
Broj dijela	Naziv stavke	Količina x Vozilo	Ukupno
2991585	ULOŽAK FILTERA	3	96
2992544	FILTER ZA ULJE	6	192
5801962827	ULOŽAK FILTERA	3	96
98128075AS	FILTER ZA VAZDUH	3	96
98128076AS	FILTER ZA VAZDUH	3	96
5803208328	ULOŽAK SUŠAČA VAZDUHA	3	96

2992662	ULOŽAK PRED-FILTERA ZA GORIVO	3	96
504153481	ELEMENT FILTERA ZA BLOW-BY GASOVE	3	96
42582554	ELEMENT FILTERA ZA ULJE MJENJAČA	3	96
98115754AS	FILTER	3	96
500055972	SET FILTER ELEMENATA ZA ADBLUE	3	96
98131417	FILTER	3	96
5802377703	KAIŠ	1	32
5949794874	KAIŠ	1	32

M250 6k6 Planirano održavanje 3 godine			
Broj dijela	Naziv stavke	Količina x Vozilo	Ukupno
2995711	ULOŽAK FILTERA	3	36
2992544	FILTER ZA ULJE	6	72
5801962827	ULOŽAK FILTERA	3	36
98128075AS	FILTER ZA VAZDUH	3	36
98128076AS	FILTER ZA VAZDUH	3	36
5803208328	ULOŽAK SUŠAČA VAZDUHA	3	36
2992662	ULOŽAK PRED-FILTERA ZA GORIVO	3	36
504153481	ELEMENT FILTERA ZA BLOW-BY GASOVE	3	36
42582554	ELEMENT FILTERA ZA ULJE MJENJAČA	3	36
98115754AS	FILTER	3	36
500055972	SET FILTER ELEMENATA ZA ADBLUE	3	36
98131417	FILTER	3	36
504102152	KAIŠ	1	12
500400185	KAIŠ	1	12

Preporučeni rezervni dijelovi za 3-godišnje korektivno održavanje

Sledeći set rezervnih dijelova je uključen u nabavku da pokrije potencijalno korektivno održavanje za prve 3 (tri) godine radnog vijeka, ograničeno na kabine šasije (liste ne uključuju rezervne dijelove relevantne za karoseriju).

Eurocargo 150E28V 4k4 Preporučeni rezervni dijelovi 3 godine		
Broj dijela	Naziv stavke	Ukupno
1906242	KOMPLET KOČIONIH OBLOGA	20
1906473	KOMPLET KOČIONIH OBLOGA	20

Eurocargo 150E28V 4k4 Preporučeni rezervni djelovi 3 godine		
Broj dijela	Naziv stavke	Ukupno
2992241	ULOŽAK FILTERA	15
2992242	FILTER ZA ULJE	1
2997374	ULOŽAK PRED-FILTERA ZA GORIVO	15
4892320	ALTERNATOR	4
18095590	OSIGURAČ	50
41211070	VENTIL PROTIV BLOKIRANJA KOČNICA	8
42558097	FILTER ZA VAZDUH	1
93159597	SILENT BLOK (GUMA OSLOMCA)	20
98407341	PODIZAČ STAKLA VRATA	4
98407344	PODIZAČ STAKLA VRATA	4
500050171	BATERIJA	24
503612237	AMORTIZER	5
503612239	AMORTIZER	5
504058103	SEKCIJA ISPUNE	10
504058309	VJETROBRANSKO STAKLO	10
504060688	SERVO UPRAVLJANJE	3
504065877	VOĐICA REMENICE	10
504065878	VOĐICA REMENICE	10
504070038	ZAPTIVKA POKLOPCA GLAVE	10
504078268	ŠTAP ZA MJERENJE ULJA	5
504091504	ELEKTRIČNO UBRIZGAVANJE	24
504095446	INDIKATOR ZAČEPLJENOG FILTERA	5
504262827	ČEP ZA PUNJENJE ULJA	10
504273349	ZF MJENJAČ	1
504305419	PROZORSKO STAKLO	4
504305420	PROZORSKO STAKLO	4
504315785	ZATEZAČ KAIŠA	10
504356934	PNEUMATSKI KOČIONI CILINDAR	5
504358206	PREKIDAČ ZA PRITISAK	5
504380075	TERMOSTAT	5
504385728	TURBO PUNJAČ	2
5001857789	OTPORNIK	10
5801426912	ZADNJE SVJETLO	5
5801426917	ZADNJE SVJETLO	5
5801476698	ELEKTROMAGNETNI VENTIL	15
5801520336	MOTOR STARTERA	3
5801548002	PUMPA VISOKOG PRITISKA	4

Eurocargo 150E28V 4k4 Preporučeni rezervni djelovi 3 godine		
Broj dijela	Naziv stavke	Ukupno
5801555666	LAMELA KVAČILA	10
5801812493	INDIKATOR ZA SERVIS MOTORA	1
5801910166	MLAZNICA ZA ULJE	18
5801912655	SIGNALNO SVJETLO	20
5802122688	BRANIK	5
5802306395	SENZOR NIVOA	10
5802350483	KAIŠ PUMPE ZA VODU	10
5802470503	PUMPA ZA VODU	5
5802844118	RUKA BRISAČA	20
5803208328	ULOŽAK SUŠAČA VAZDUHA	15

M170 4k4 Preporučeni rezervni djelovi 3 godine		
Broj dijela	Naziv stavke	Ukupno
98120046	SET KOČIONIH PLOČICA	45
98120044	SET KOČIONIH PLOČICA	15
5949812185	AMORTIZER	4
5801931331	PUMPA ZA VODU	2
504096443	TERMOSTAT	4
504066200	PUMPA ZA GORIVO	4
504052956	MOTOR STARTERA	2
504269280	TURBINA	2
504385500	BRTVA GLAVE CILINDRA	6
5949785668	ALTERNATOR	3
504100287	MLAZNA PUMPA	5
504115069	ELEKTROMAGNETNI VENTIL	4
504042683	BRTVA VRATILA	4
504056062	PRSTEN	4
40102103	BRTVA VRATILA	6
504173050	PUMPA ZA NAGINJANJE KABINE	4
500421217	CILINDAR	4
5802799223	KOMPRESOR ZA VAZDUH	2
5801414922	SUŠAČ VAZDUHA	2
42103043	KOSI ZUPČASTI PRENOS	2
42103071	KOSI ZUPČASTI PRENOS	2
504374326	MODUL ZA NAPAJANJE	3
5801730656	MODUL ZA DOZIRANJE	4
500438790	ZADNJA OPRUGA	4
5949798228	LISNATA OPRUGA	4
5802776648	HLADNJAK ZA VODU	2
504015564	INTERKULER	2
504385146	KOMPRESOR ZA KLIMA UREĐAJ	2

M170 4k4 Preporučeni rezervni dijelovi 3 godine		
Broj dijela	Naziv stavke	Ukupno
41214450	KONDENZATOR	2
2991585	ULOŽAK FILTERA ZA GORIVO	2
2992544	FILTER ZA ULJE	2
5801962827	ULOŽAK FILTERA	2
98128075AS	FILTER ZA VAZDUH	2
98128076AS	FILTER ZA VAZDUH	2
5803208328	ULOŽAK SUŠAČA VAZDUHA	2
2992662	ULOŽAK PRED-FILTERA ZA GORIVO	2
504153481	ELEMENT FILTERA ZA BLOW-BY GASOVE	2
42582554	ELEMENT FILTERA ZA ULJE MJENJAČA	2
98115754AS	FILTER	2
500055972	SET FILTER ELEMENATA ZA ADBLUE	2
98131417	FILTER	2
5802377703	KAIŠ	2
5949794874	KAIŠ	2

M250 6k6 Preporučeni rezervni dijelovi 3 godine		
Broj dijela	Naziv stavke	Ukupno
98120046	SET KOČIONIH PLOČICA	30
98120044	SET KOČIONIH PLOČICA	6
5949812185	AMORTIZER	2
5801931139	PUMPA ZA VODU	2
504240051	TERMOSTAT	2
5801982846	PUMPA ZA GORIVO	2
5802899064	MOTOR STARTERA	1
504013086	TURBO PUNJAČ	2
500054690	BRTVA GLAVE CILINDRA	3
504119712	ALTERNATOR	1
504287069	MLAZNA PUMPA	6
504115069	ELEKTROMAGNETNI VENTIL	2
5801625924	BRTVA VRATILA	2
504056063	PRSTEN	2
40102103	BRTVA VRATILA	2
504173050	PUMPA ZA NAGINJANJE KABINE	2
500421217	CILINDAR	2
5802799223	KOMPRESOR ZA VAZDUH	1
5801414922	SUŠAČ VAZDUHA	1
42103043	KOSI ZUPČASTI PRENOS	2
42103071	KOSI ZUPČASTI PRENOS	2

M250 6k6 Preporučeni rezervni djelovi 3 godine		
Broj dijela	Naziv stavke	Ukupno
42103043	KOSI ZUPČASTI PRENOS	2
504374326	MODUL ZA NAPAJANJE	1
5801730656	MODUL ZA DOZIRANJE	1
98185270	ZADNJA OPRUGA	2
5949798228	LISNATA OPRUGA	2
5802776648	HLADNJAK ZA VODU	2
504015564	INTERKULER	2
504385146	KOMPRESOR ZA KLIMA UREĐAJ	2
42583088	SET	2
2995711	ULOŽAK FILTERA	2
2992544	FILTER ZA ULJE	2
5801962827	ULOŽAK FILTERA	2
98128075AS	FILTER ZA VAZDUH	2
98128076AS	FILTER ZA VAZDUH	2
5803208328	ULOŽAK SUŠAČA VAZDUHA	2
2992662	ULOŽAK PRED-FILTERA ZA GORIVO	2
504153481	ELEMENT FILTERA ZA BLOW-BY GASOVE	2
42582554	ELEMENT FILTERA ZA ULJE MJENJAČA	2
98115754AS	FILTER	2
500055972	SET FILTER ELEMENATA ZA ADBLUE	2
98131417	FILTER	2
504102152	KAIŠ	2
500400185	KAIŠ	2

Raspored isporuke rezervnih djelova

Isporuka rezervnih djelova biće organizovana na sledeći način:

1. **Prva isporuka** – Početna isporuka približno 50% rezervnih djelova treba da se poklopi sa isporukom prvog kompleta vozila u prvih 9 mjeseci od potpisivanja komercijalnog ugovora. Ova isporuka u fazama će omogućiti trenutnu podršku u održavanju dolazećih vozila.
2. **Konačna isporuka** – Preostale rezervne djelove treba obezbediti po završetku kompletne isporuke svih vozila. Ova distribucija osigurava održivi kapacitet podrške za kompletnu flotu, u skladu sa prethodnim odredbama ovog Dodatka.

Ovlašćeni servisni aranžmani

MO ITA će se dogovoriti sa dobavljačem da osigura sljedeće usluge podrške i usluge:

- **Održavanje u garantnom periodu** - Tokom garantnog perioda, redovno servisiranje, preventivno održavanje i osnovne popravke koje nisu pod garancijom (za sve procedure za koje su obučeni tehničari MO CG) mogu vršiti tehničari MO CG. Za sve potrebe održavanja ili popravki izvan ovoga (održavanje drugog i trećeg nivoa), biće odgovoran ovlašćeni servisni

centar u Crnoj Gori, kojeg odredi MO Italije/Dobavljač (definisano komercijalnim ugovorom). Podrazumijeva se da će usluge koje spadaju pod garantne uslove biti besplatne u slučaju da MO CG odluči da popravke izvrši ovlašćeni servisni centar u Crnoj Gori.

- **Vremenski okviri servisnog centra** (ograničeno na šasiju i kabinu, isključujući nadgradnju) - U slučajevima kada je vozilo potrebno servisirati u ovlašćenom servisnom centru:
 - Vozilo mora biti primljeno u roku od 24 časa od dolaska.
 - Dijagnostičke procedure moraju biti završene u roku od 48 časova.
 - Neophodne popravke moraju biti završene u roku od 10 radnih dana.
 - Ukoliko je potrebna obimnija popravka, koja zahtijeva dostavu dodatnih rezervnih djelova ili specifičnih komponenti, servisni centar mora dostaviti očekivano vrijeme za popravku, uz odgovarajuće obrazloženje, u roku od 10 radnih dana.
- **Dugoročno snabdijevanje rezervnim djelovima** - Komercijalni dobavljač će garantovati dostupnost rezervnih djelova (koje će MO CG plaćati komercijalnom dobavljaču nakon isteka garantnog perioda) u periodu od 10 godina nakon završne isporuke vozila, čime će se obezbijediti dugoročno održavanje i operativna podrška za vozni park.

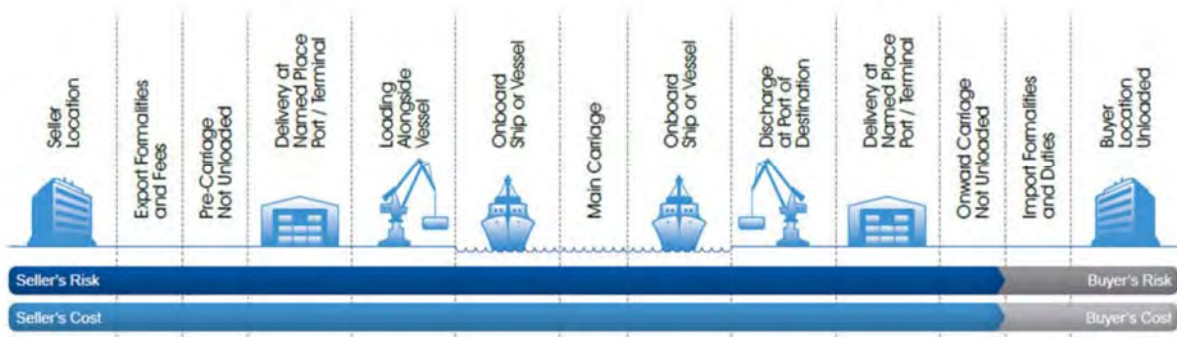
Dokumentacija:

Industrijski dobavljač će dostaviti MO CG sledeću tehničku dokumentaciju:

- Br. 2 (dva) kataloga rezervnih djelova po tipu kabine šasije i tipu karoserije, na engleskom jeziku;
- Br. 1 (jedna) Knjižica za rad i održavanje po vozilu, na engleskom jeziku.

TRANSPORT I ISPORUKA VOZILA

Za potrebe prevoza i isporuke robe obuhvaćene ovim IA, vozila će se prevoziti sa lokacije koju je MO ITA (DAT) odredio kao mjesto prijema vozila do lokacije koju je identifikovao MO CG - kasarna „Milovan Šaranović“ u gradu Danilovgradu u Crnoj Gori. Sve aktivnosti vezane za preuzimanje, transport, isporuku, uključujući troškove vezane za prenos vozila i troškove izvoza, snosi Industrijski dobavljač, u skladu sa pravilima utvrđenim u Međunarodnim komercijalnim uslovima (INCOTERMS ed. 2020), za prenos robe iz jedne države u drugu. Konkretno, za potrebe ove IA, primjenjivaće se ugovorne klauzule predviđene za 'Dostavljeno na mjesto' (DAP), kao što je prikazano na dijagramu ispod.



**IMPLEMENTACIONI
ARANŽMAN**

između

**MINISTARSTVA ODBRANE
CRNE GORE**

i

**MINISTARSTVA ODBRANE
REPUBLIKE ITALIJE**

u vezi

**SARADNJE U OBLASTI
VOJNE OPREME**

u cilju

**nabavke vojnih logističkih vozila i povezane logističke podrške,
održavanja i obuke**

DODATAK 2 ANEKSU 1

OBUKA

Nabavka od strane MO CG usluga obuke će garantovati posvećenost industrijskog dobavljača da obezbijedi, kao minimum:

Dva kursa obuke za održavanje za identifikovano osoblje MO CG, u skladu sa sledećim parametrima:

- Jezik obuke: engleski
- Jezik sredstava za obuku: engleski
- Maksimalan broj polaznika: 10 (deset)
- Lokacija: Dogovara se tokom izvođenja programa, uzimajući u obzir:
 - Uslove komercijalnog dobavljača:
 - dostupnost odgovarajuće učionice, radionice, alata i potrepština: na teret komercijalnog dobavljača
 - troškovi putovanja i smještaja polaznika: na teret MO CG
 - Uslove MO CG:
 - dostupnost odgovarajuće učionice, radionice, alata i potrepština: na teret MO CG
 - troškovi putovanja i smještaja trenera: na teret Komercijalnog dobavljača
- Kamioni i bodibilding obuhvaćeni kursevima obuke:
 - Eurocargo troop carrier i Eurocargo cisterne
 - M170 i M250 i verzije tenkova M170
- Predviđeno vrijeme održavanja obuka: (dogovara se prilikom isporuke gore navedenih jedinica)
 - Trajanje: oko 2 (dvije) nedjelje svaka (treba potvrditi).
 - Preduslovi za polaznike: Da tečno govore engleski jezik i da su već osposobljeni za vožnju sličnih vojnih kamiona i vješti u rutinama održavanja automobila.
 - MO CG će obezbijediti prevodioca za crnogorski/engleski jezik za obuku, ukoliko se obuka odvija u Crnoj Gori.
 - Prva obuka treba da se održi nakon isporuke prvog kompleta vozila (predviđeno u roku od 9 mjeseci od potpisivanja komercijalnog ugovora).
 - Druga obuka treba da se održi po završetku pune isporuke vozila.
- Po uspješnom završetku, komercijalni dobavljač će polaznicima dobiti relevantne sertifikate o pohađanju
- Oba kursa obuke će uključivati smanjeni dio kako bi se ukratko pokrio pravilan rad kamiona, posebno u vezi sa vlasničkim karakteristikama i nadgradnjom.